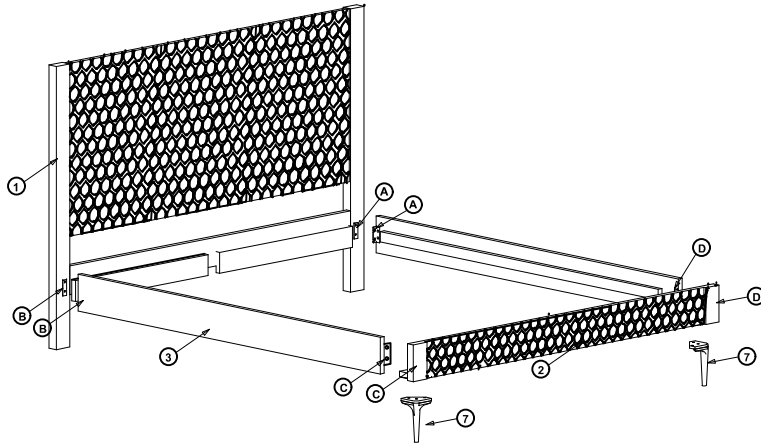


# ASSEMBLY INSTRUCTIONS SHEET FOR BED

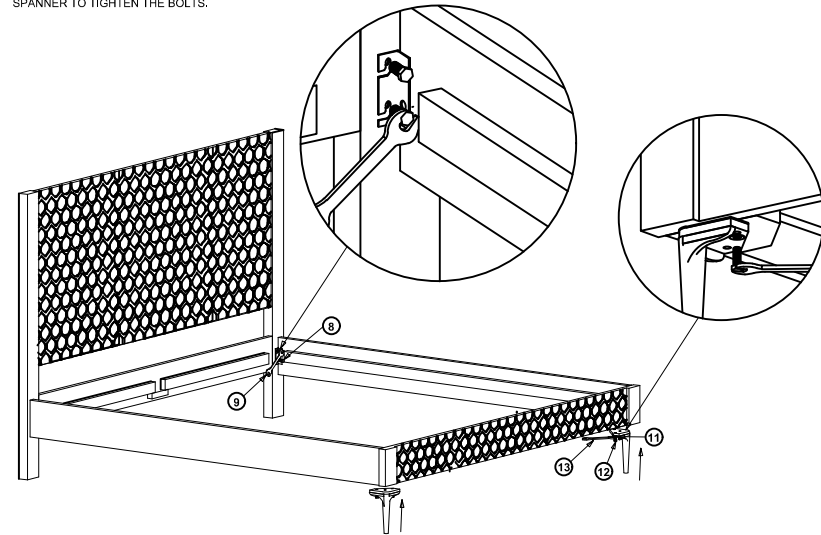
## STEP - 1

LAYOUT HEAD BOARD, FOOTBOARD AND SIDE RAILS. ATTACHED LEGS WITH FOOTBOARD USING BOLTS & WASHER WITH SPANNER PROVIDED. MAKE SURE SIDE RAILS DIRECTION COORDINATES WITH NUMBERS ON FOOTBOARD AND HEADBOARD. ALIGN THE HOLES OF METAL "L" BRACKET ON SIDE RAIL WITH HOLES OF METAL PLATE ON HEAD BOARD & FOOT BOARD. MIGHT NEED TO APPLY PRESSURE ON SIDE RAILS FOR HOLE ALIGNMENT.



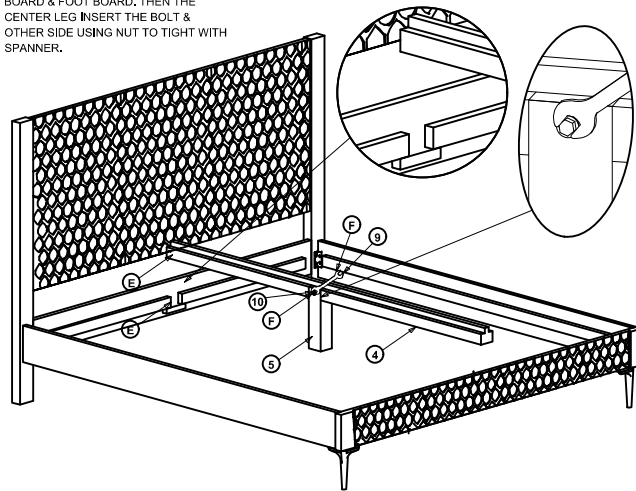
## STEP - 2

INSERT THE BOLT & USE THE SPANNER TO TIGHTEN THE BOLTS.



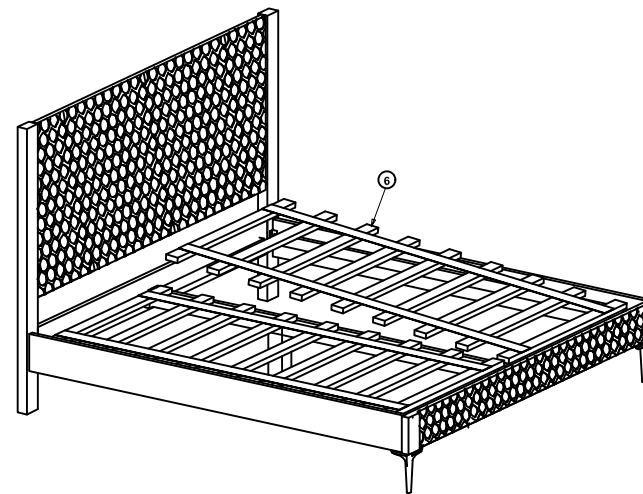
## STEP - 3

POSITION THE CENTRE SUPPORT WITH MATCHING THE NUMBERS ON CENTRE SUPPORT WITH THE NUMBERS ON HEAD BOARD & FOOT BOARD. THEN THE CENTER LEG INSERT THE BOLT & OTHER SIDE USING NUT TO TIGHT WITH SPANNER.



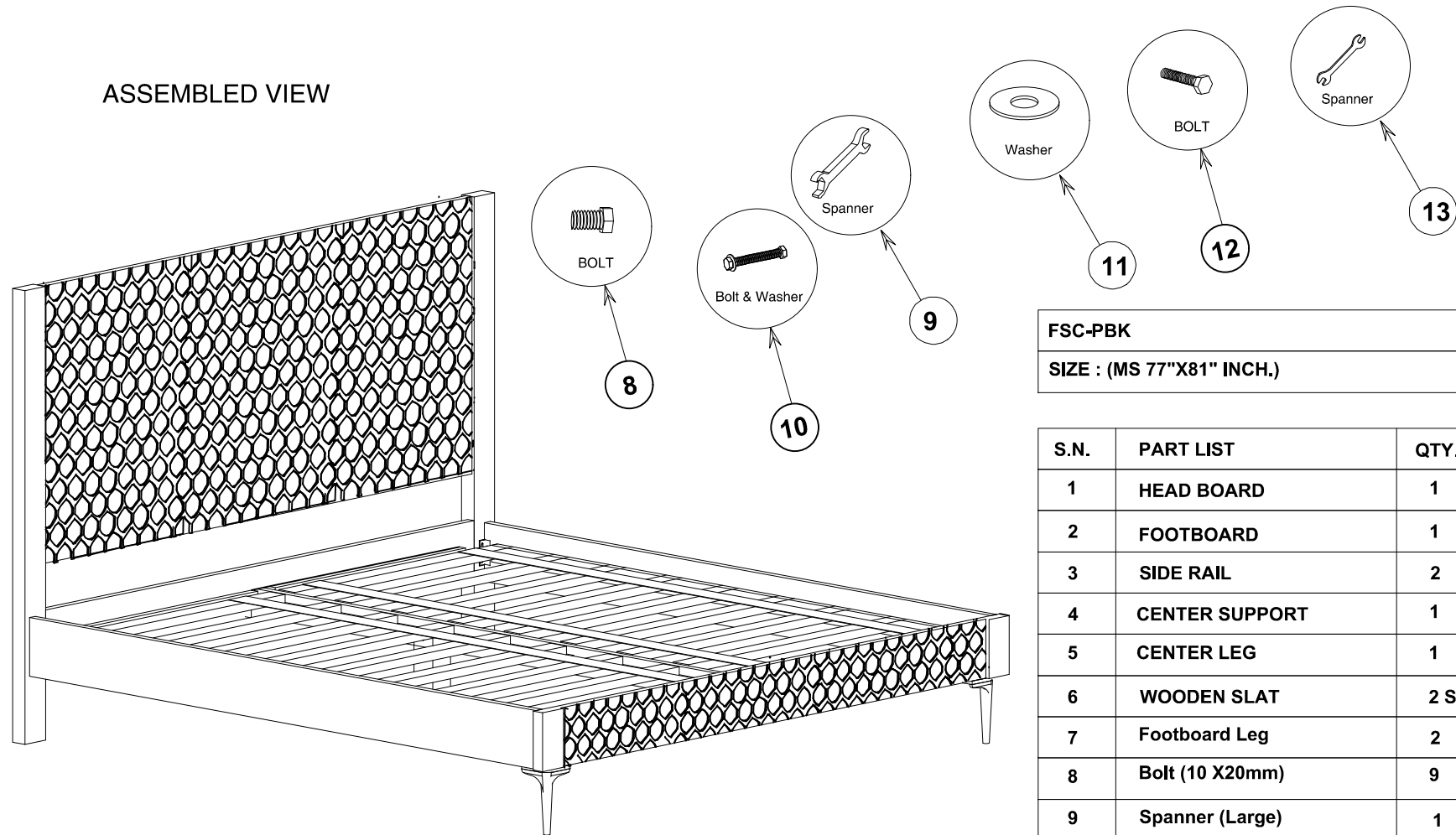
## STEP - 4

PLACE THE WOODEN SLATS ON TO THE SIDE FIRST & THEN ON CENTER SUPPORT.



# ASSEMBLY INSTRUCTIONS SHEET FOR BED

ASSEMBLED VIEW



FSC-PBK  
 SIZE : (MS 77"X81" INCH.)

S.N.	PART LIST	QTY.
1	HEAD BOARD	1
2	FOOTBOARD	1
3	SIDE RAIL	2
4	CENTER SUPPORT	1
5	CENTER LEG	1
6	WOODEN SLAT	2 Set
7	Footboard Leg	2
8	Bolt (10 X20mm)	9
9	Spanner (Large)	1
10	Bolt & Washer	1
11	Washer	7
12	Bolt (8 X25mm)	7
13	Spanner (Small)	1