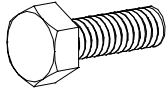


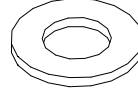
# ASSEMBLY INSTRUCTIONS

## Kit Contents :-

1. Bolts - 10Pcs.  
25x8mm.



2. Washers - 10Pcs.  
8mm.



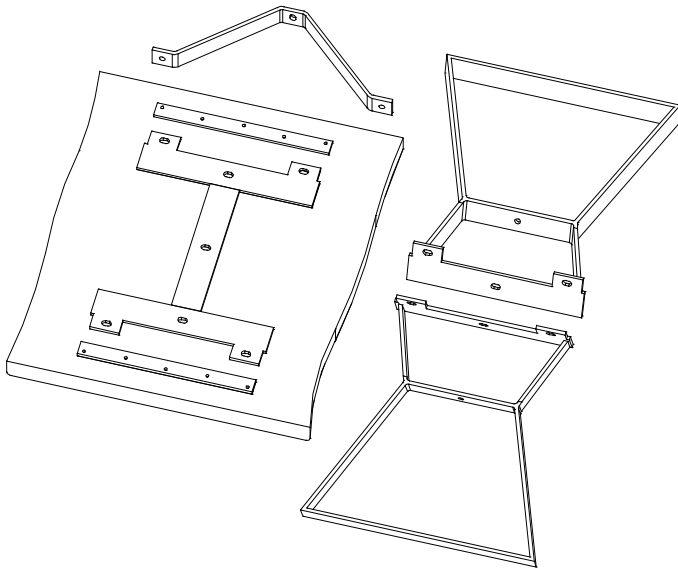
3. Spanner - 1Pc.  
12-13no.



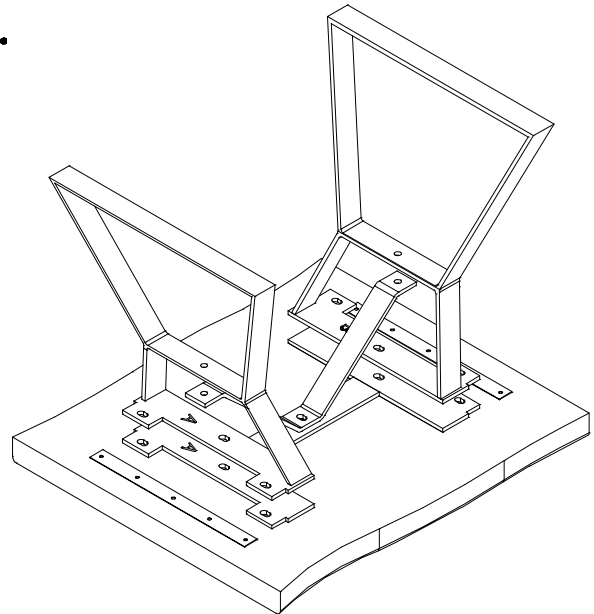
## Instructions :-

1. Put the table top upside down on a protective surface.
2. Match holes on the table leg with holes on the bottom of the table top. Secure using bolts provided.
3. Similarly attach the other leg.
4. Now match the stretcher hole with leg center hole & top hole with stretcher other side hole. Secure using bolts provided. Attached the other side leg as shown in picture 3.
5. Now the side table can be turned upright and is ready to use.

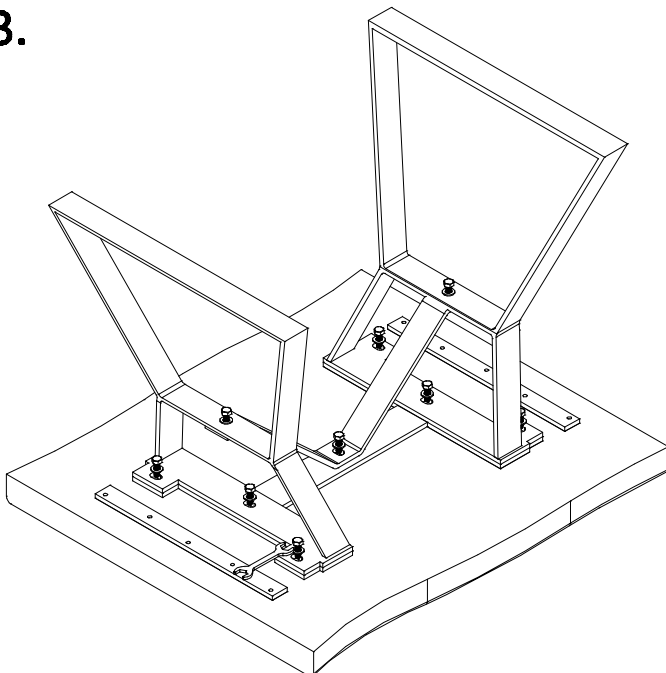
1.



2.



3.



4.

