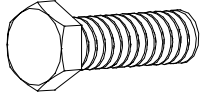


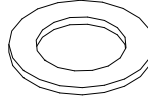
ASSEMBLY INSTRUCTIONS

Kit Contents:-

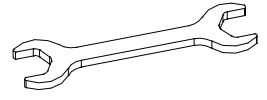
1. Bolts-11Pc.
25x8mm.



2. Washers-11Pc.
8mm.



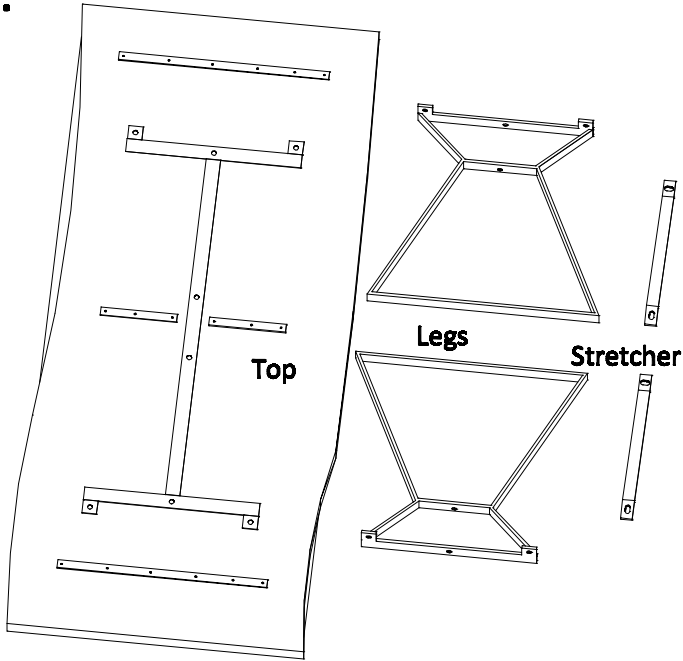
3. Spanner-1Pc.
12-13no.



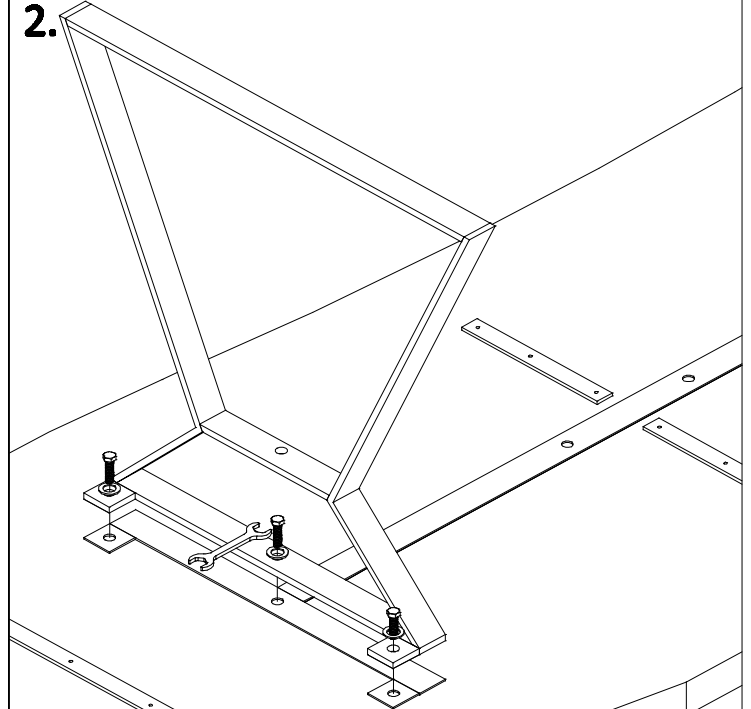
Instructions :-

1. Put the table top upside down on a protective surface.
2. Match holes on the table leg with holes on the bottom of the table top. Secure using bolts & washer with spanner provided. (as shown in picture 2)
3. Now match the stretcher vertical hole with leg center hole & top hole with stretcher other side horizontal hole. Secure using bolts & washers with spanner provided. (as shown in picture 3)
4. Similarly attach the other leg.
5. Now the table can be turned upright and is ready to use.

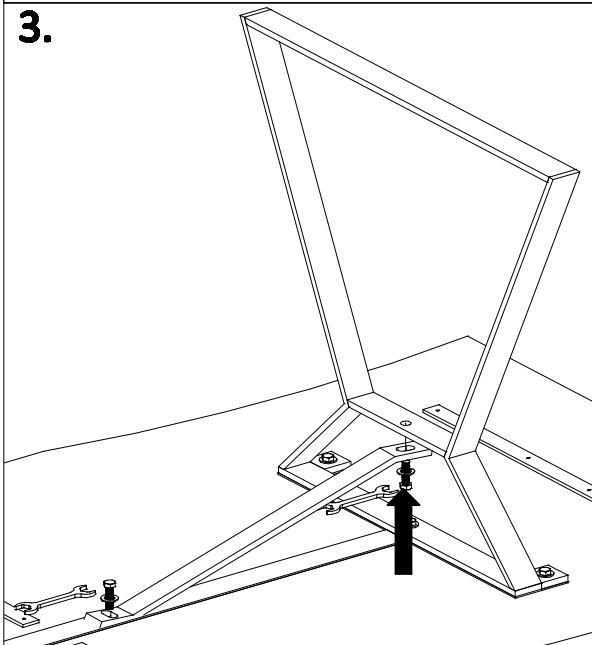
1.



2.



3.



4.

