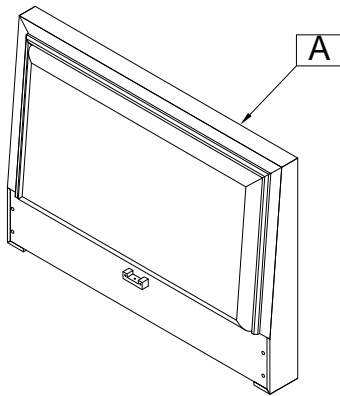


LAWSON QUEEN / KING BED ASSEMBLY INSTRUCTIONS



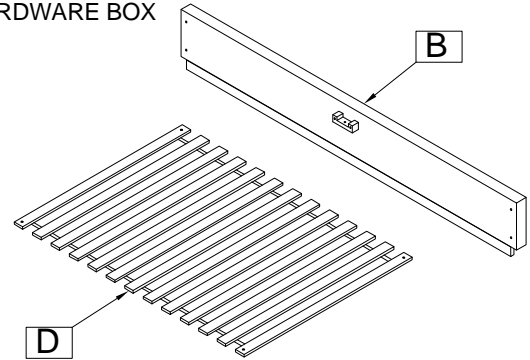
BOX #1

A. HEADBOARD (1 PC)



BOX #2

B. FOOTBOARD (1 PC)
D. SLAT ROLL (1 SET)
BED HARDWARE BOX

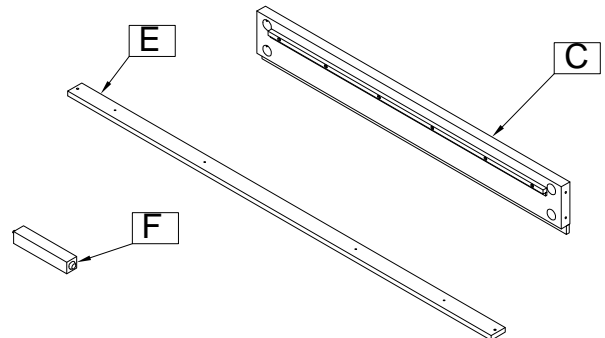


HARDWARE PACKED IN BOX #2

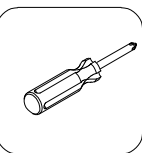
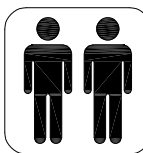
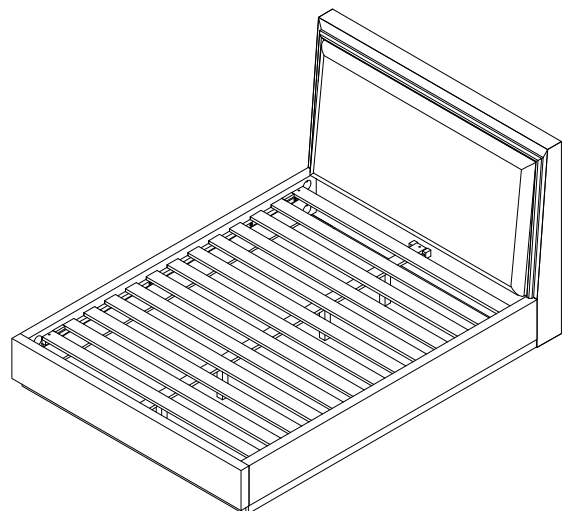
No	DESCRIPTION	IMAGE	QUANTITY
1	ALL- THREAD BOLT (5/16"x100mm)		8 pcs
2	HALF MOON WASHER (5/16")		8 pcs
3	HEX NUT (5/16")		8 pcs
4	SPANNER		1 pc
5	WOOD SCREW (4x30mm)		4 pcs
6	ALLEN BOLT (1/4"x40mm)		2 pcs
7	LOCK WASHER (5/16")		2 pcs
8	FLAT WASHER (1/4")		2 pcs
9	ALLEN KEY		1 pc

BOX #3

C. SIDE RAIL (2 PCS)
E. CENTER SLAT SUPPORT (1PC)
F. SUPPORT LEG (4PCS)



FULLY ASSEMBLED

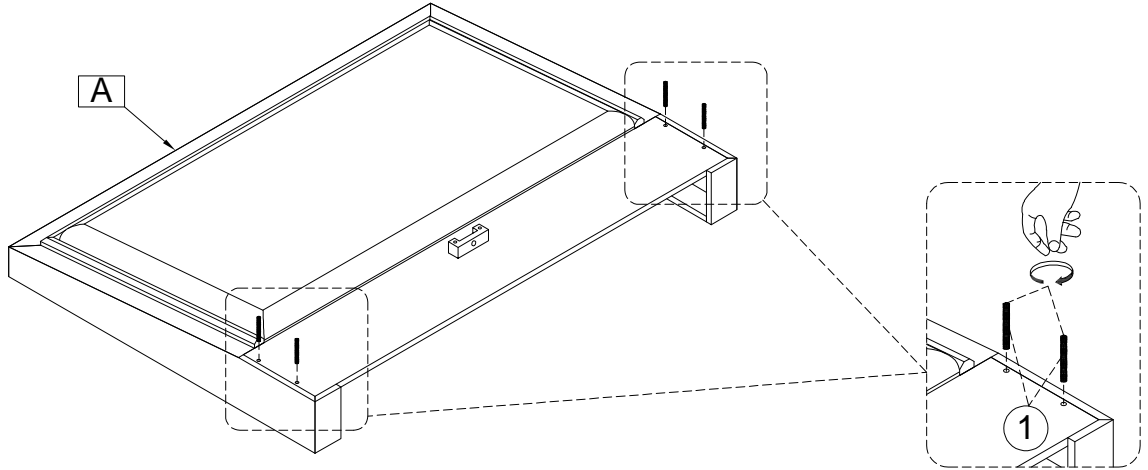


ASSEMBLE ON A SOFT SURFACE

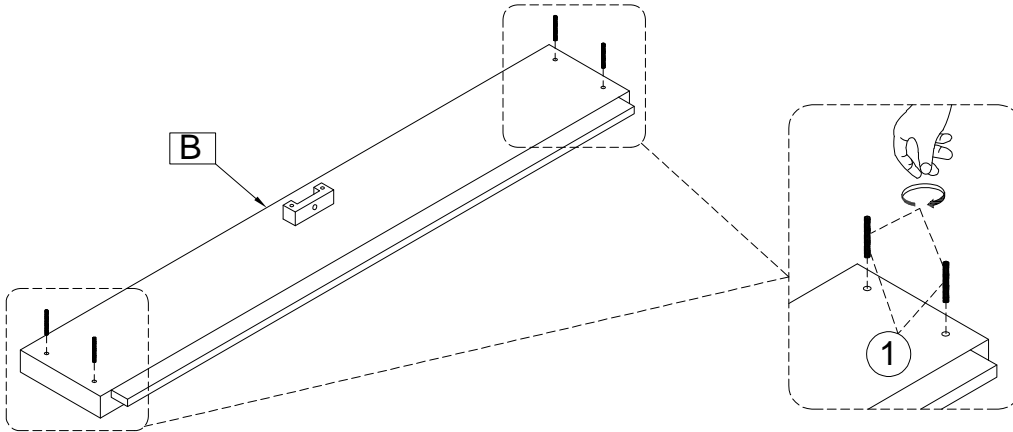
LAWSON QUEEN / KING BED ASSEMBLY INSTRUCTIONS



STEP #1:

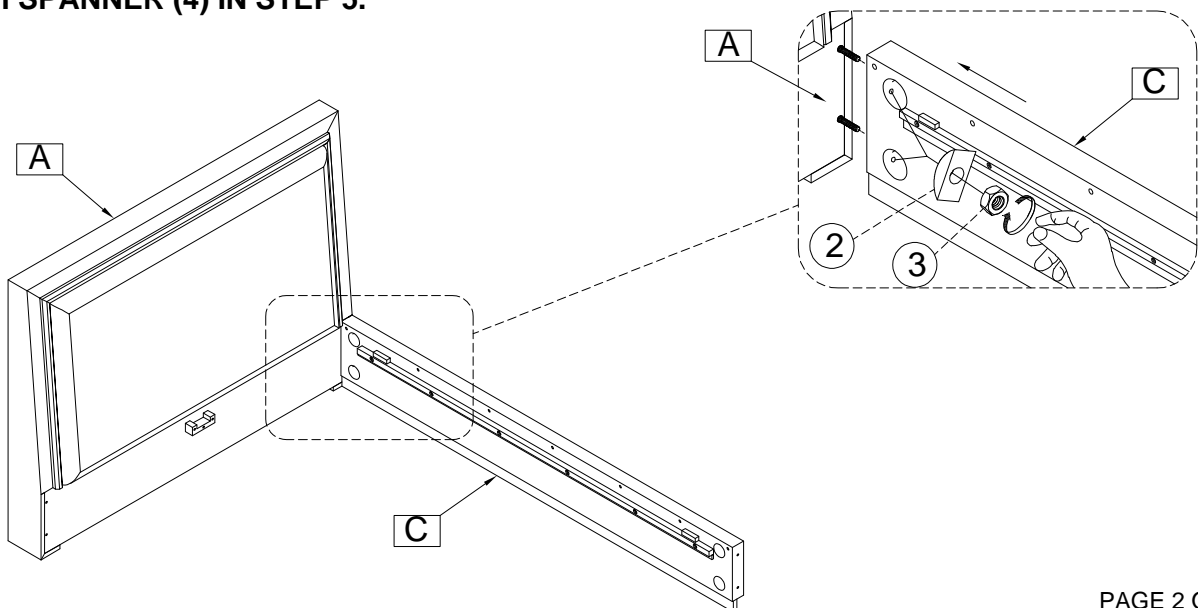


STEP #2:



STEP #3:

NOTE: HEX NUT (3) WILL BE FULLY TIGHTENED WITH SPANNER (4) IN STEP 5.

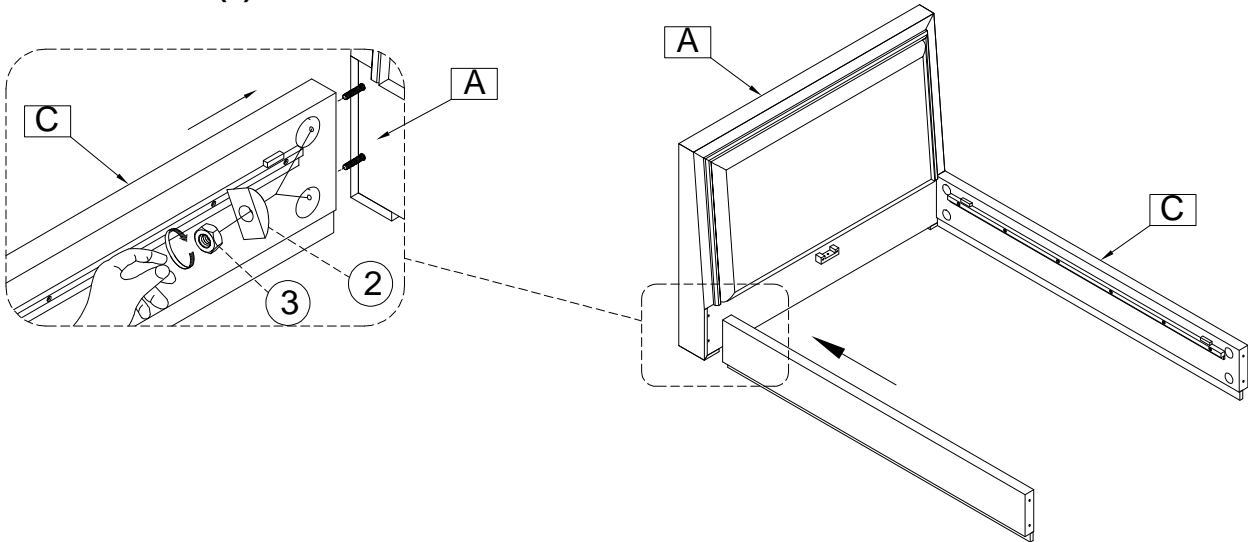


LAWSON QUEEN / KING BED ASSEMBLY INSTRUCTIONS



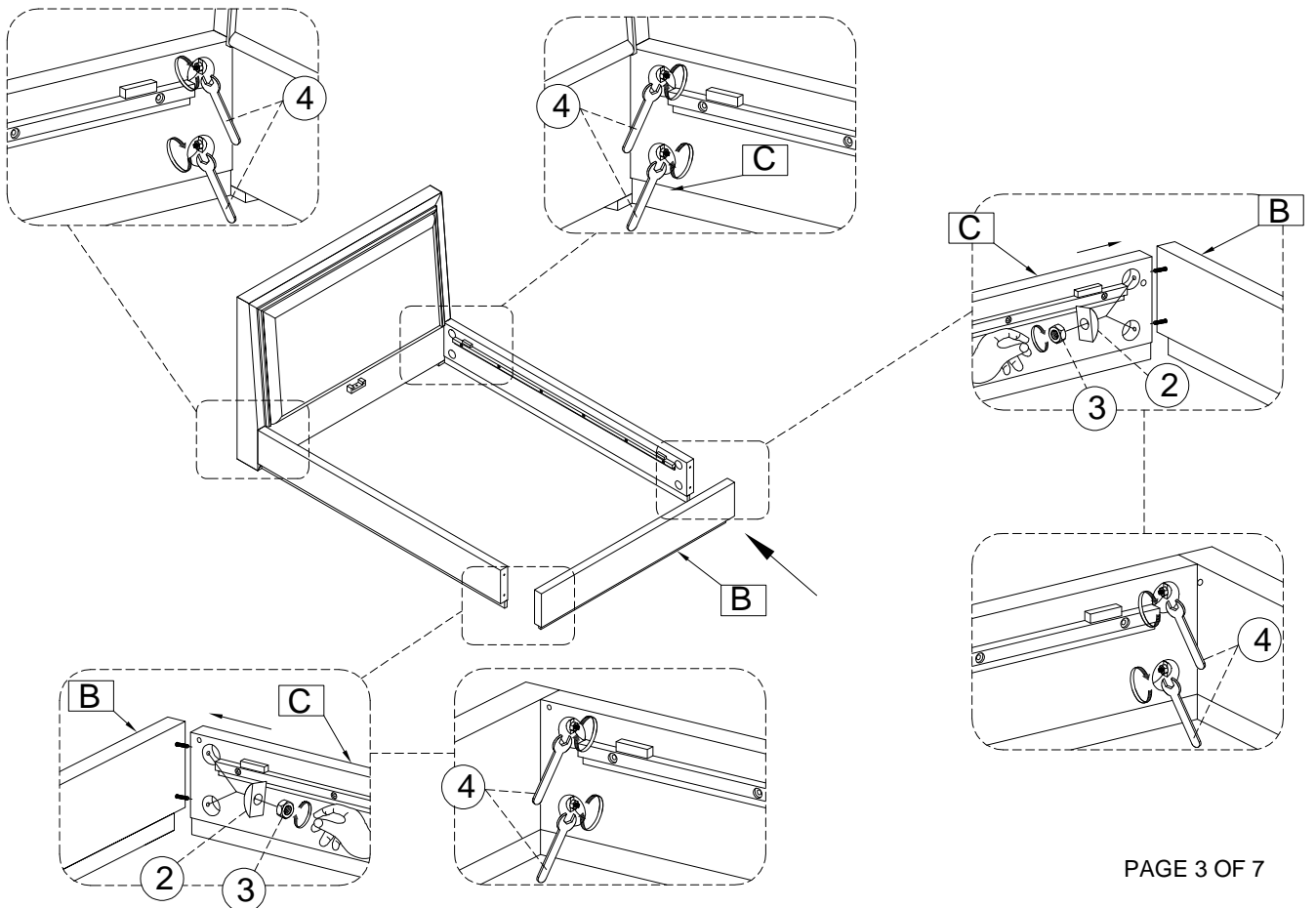
STEP #4:

NOTE: HEX NUT (3) WILL BE FULLY TIGHTENED WITH SPANNER (4) IN STEP 5.



STEP #5:

NOTE: AFTER INITIALLY HAND-TIGHTENING THE HEX NUTS (3), THEY CAN ALL BE FULLY TIGHTENED NOW USING THE SPANNER (4).



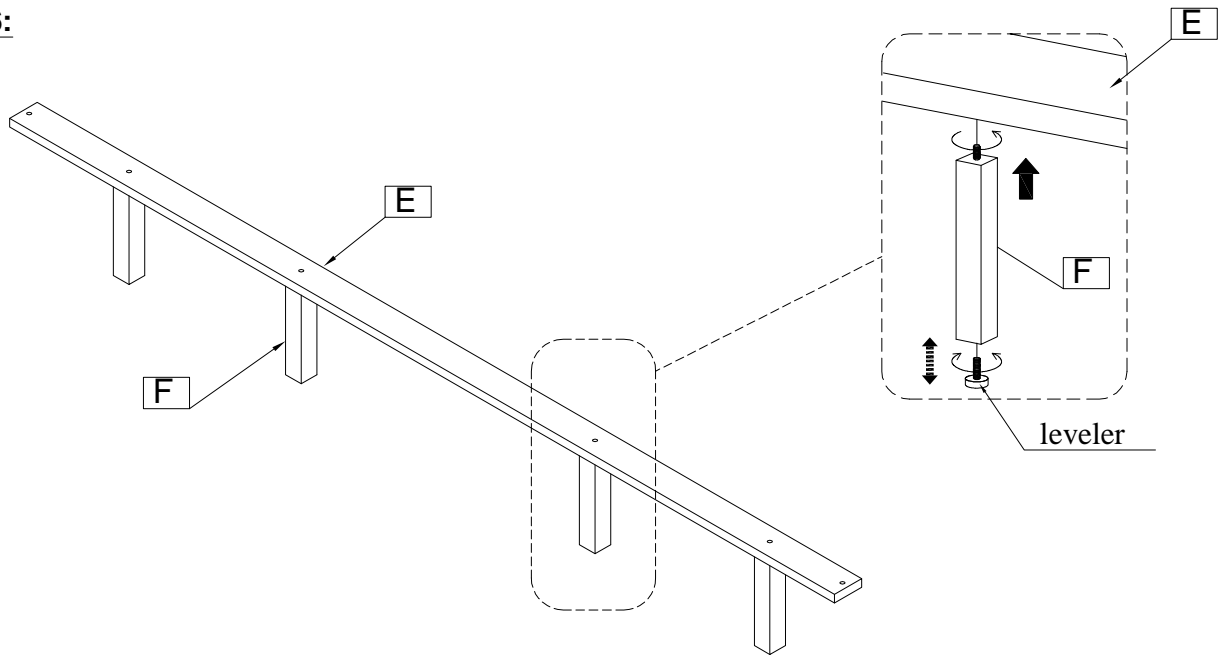
LAWSON QUEEN / KING BED ASSEMBLY INSTRUCTIONS



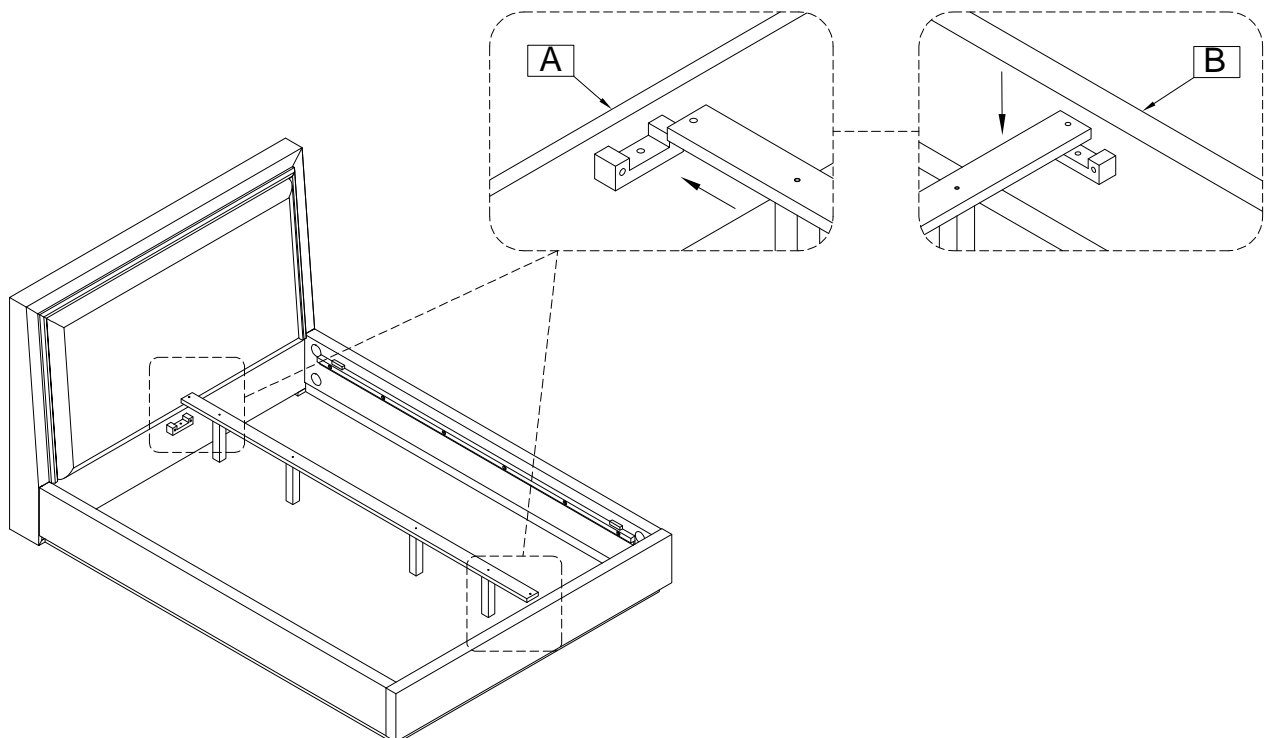
STOP

- * IF USING BED FRAME WITH ADJUSTABLE MATTRESS BASE, SKIP TO APPENDIX A: ADJUSTABLE MATTRESS BASE ASSEMBLY SUPPLEMENT.
- * IF USING BED FRAME WITH STANDARD BOX SPRING OR FOUNDATION CONTINUE TO STEP 6.

STEP #6:



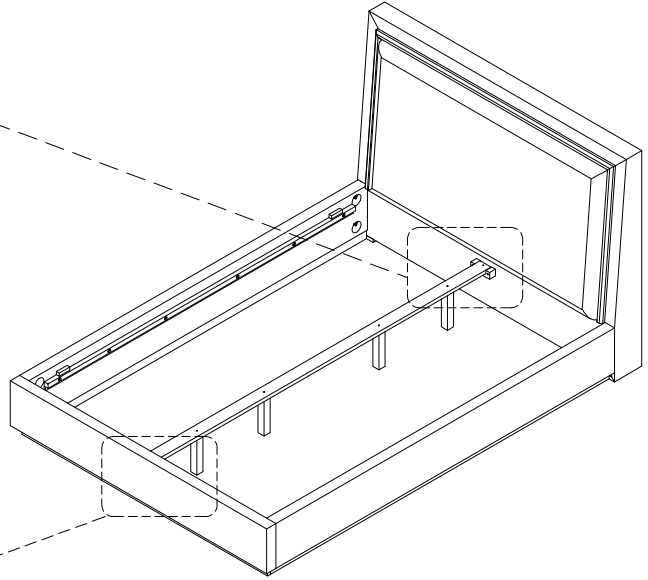
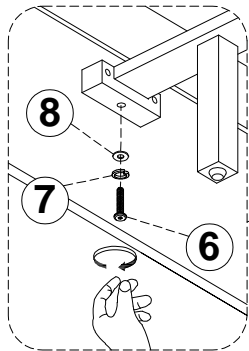
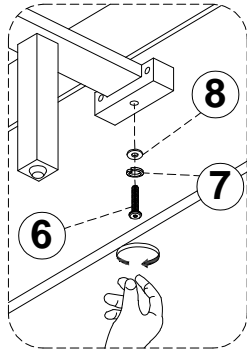
STEP #7:



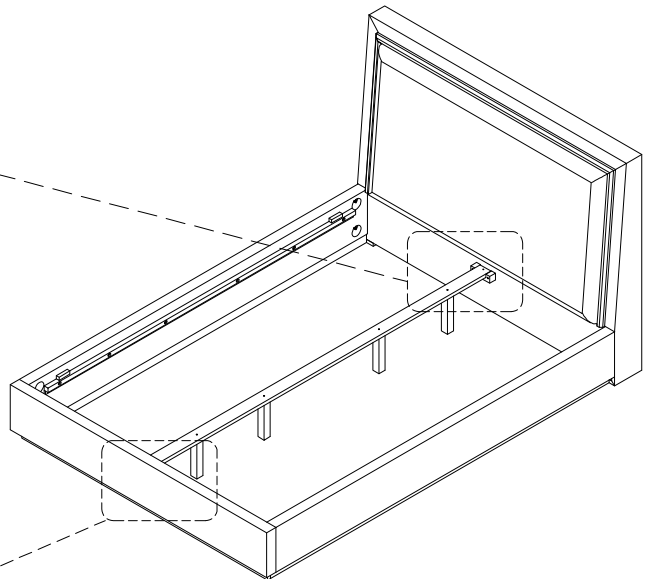
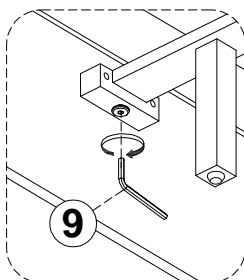
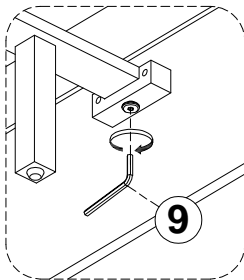
LAWSON QUEEN / KING BED ASSEMBLY INSTRUCTIONS



STEP #8:



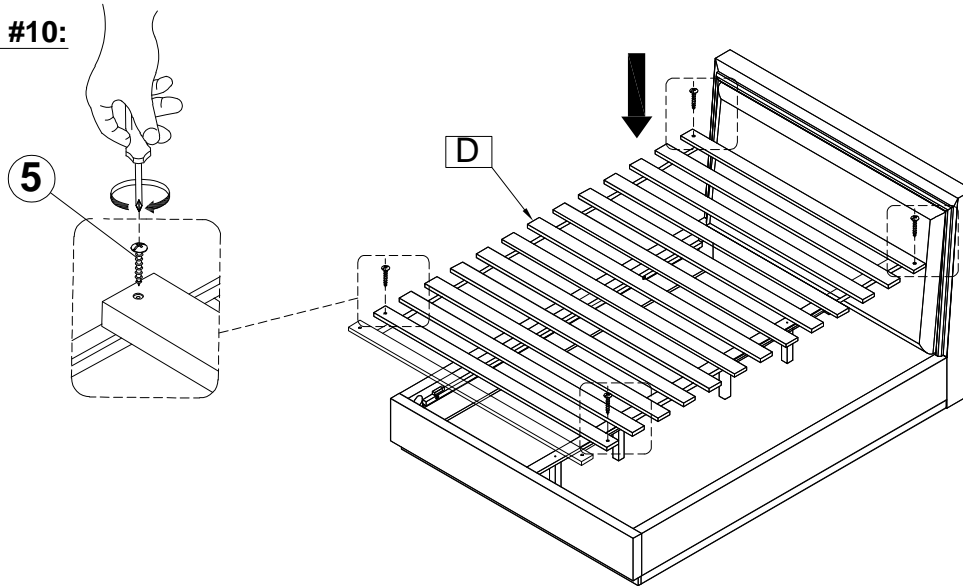
STEP #9:



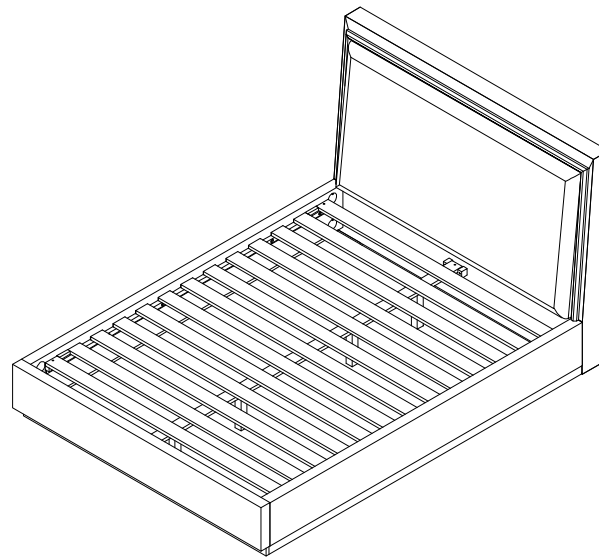
LAWSON QUEEN / KING BED ASSEMBLY INSTRUCTIONS



STEP #10:

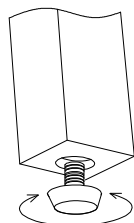


ASSEMBLY COMPLETE.



INSTRUCTIONS FOR ADJUSTING LEVELER:

- * POSITION THE BED IN YOUR SPACE AND LOCATE THE LEVELER UNDER EACH SUPPORT LEG.
- * TURN THE LEVELER COUNTER- CLOCKWISE TO EXTEND THE LEVELER AND CLOCKWISE TO RETRACT IT.
- * ADJUST EACH LEVELER UNTIL EACH SUPPORT LEG IS APPLYING EQUAL, UPWARD PRESSURE ON THE BED SUPPORT SLAT.



MAINTENANCE INSTRUCTIONS:

- * PERIODICALLY CHECK ALL FITTINGS AND TIGHTEN IF NECESSARY, AS THEY CAN LOOSEN OVER TIME.
- * ALWAYS REMOVE BOX SPRING AND MATTRESS BEFORE MOVING THE BED.
- LIFT THE BED WHEN MOVING IT. DRAGGING THE BED CAN DAMAGE THE CENTER SUPPORT.
- * READJUST LEVELERS AFTER MOVING THE BED.

LAWSON QUEEN / KING BED ASSEMBLY INSTRUCTIONS

APPENDIX A: ADJUSTABLE MATTRESS BASE ASSEMBLY SUPPLEMENT



AN ADJUSTABLE MATTRESS BASE IS A FREESTANDING MATTRESS SUPPORT THAT SITS WITHIN THE PERIMETER OF THE BED FRAME.

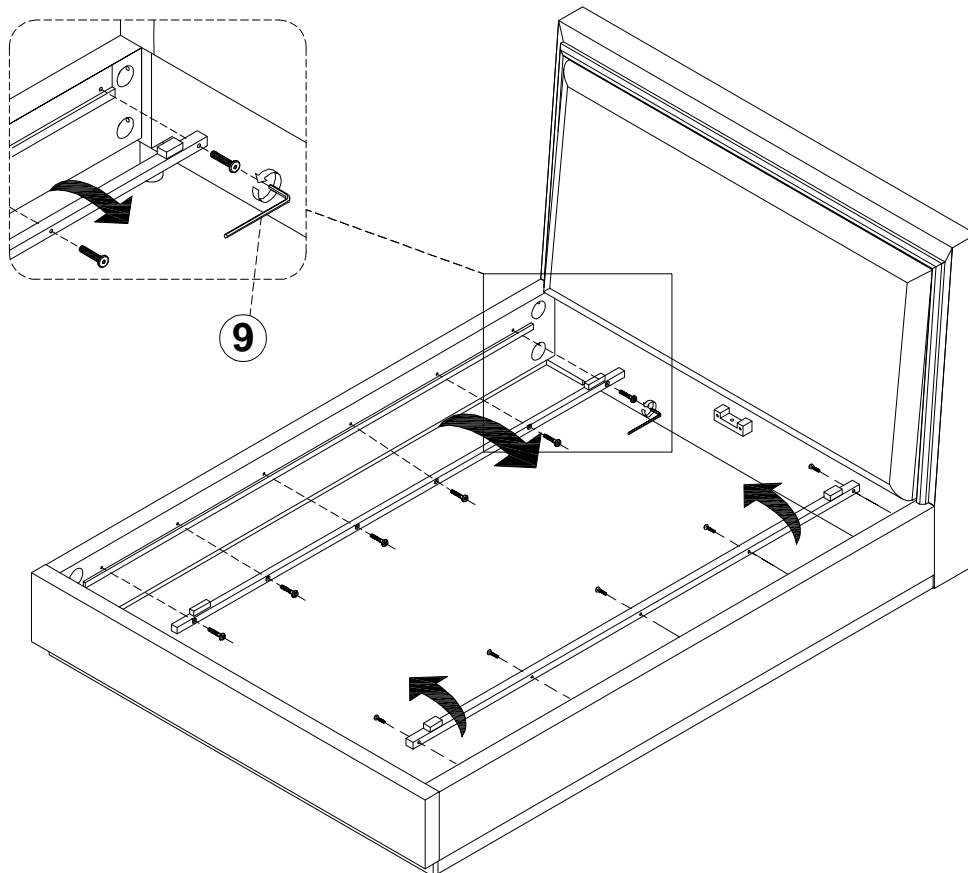
IF USING THIS BED FRAME WITH A STANDARD BOX SPRING OR FOUNDATION THESE INSTRUCTIONS DO NOT APPLY.
PRE-ASSEMBLED SIDE RAIL CLEATS OBSTRUCT ADJUSTABLE BASE INSTALLATION AND OPERATION.
FOLLOW THESE INSTRUCTIONS TO REMOVE THEM.

THE FOLLOWING PARTS ARE NOT REQUIRED FOR ADJUSTABLE MATTRESS BASE INSTALLATION:

- | | |
|------------------------------|--------------------------------|
| D. SLAT ROLL (1SET) | 5. WOOD SCREW 4x30mm (4PCS) |
| E. CENTER SLAT SUPPORT (1PC) | 6. ALLEN BOLT 1/4"x40mm (2PCS) |
| F. SUPPORT LEG (4PCS) | 7. LOCK WASHER 5/16" (2PCS) |
| | 8. FLAT WASHER 1/4" (2PCS) |
| | 9. ALLEN KEY (1PC) |

STEP 1:

USE ALLEN KEY (9) TO UNSCREW ALLEN BOLTS AND REMOVE PRE-ASSEMBLED SIDE RAIL CLEATS.



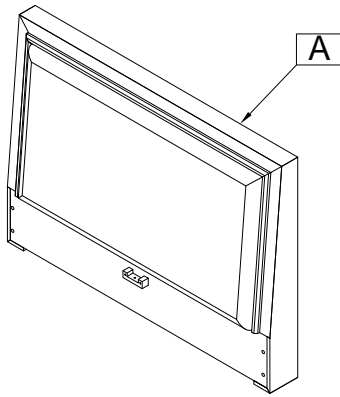
NOTE: YOU MAY WISH TO RETAIN UNUSED PARTS IF IN THE FUTURE YOU INTEND TO USE THE BED FRAME WITH A STANDARD BOX SPRING OR FOUNDATION

LAWSON CAL KING BED ASSEMBLY INSTRUCTIONS



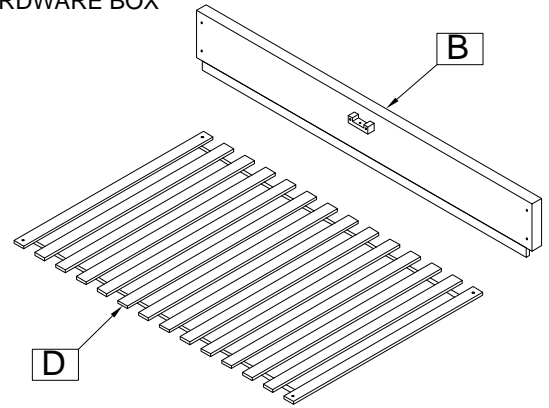
BOX #1

A. HEADBOARD (1 PC)



BOX #2

B. FOOTBOARD (1 PC)
D. SLAT ROLL (1 SET)
BED HARDWARE BOX

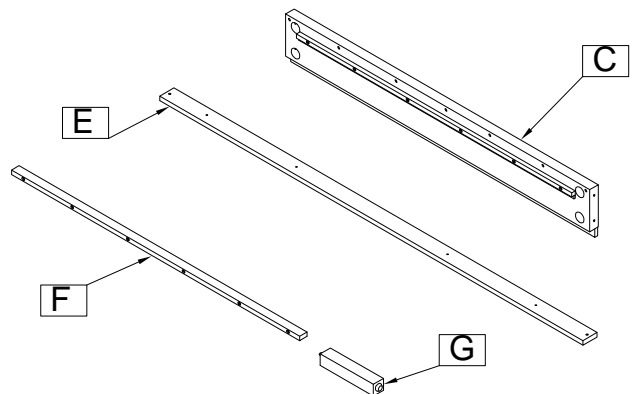


HARDWARE PACKED IN BOX #2

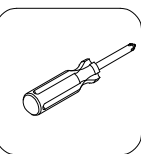
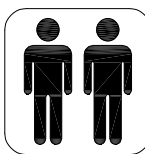
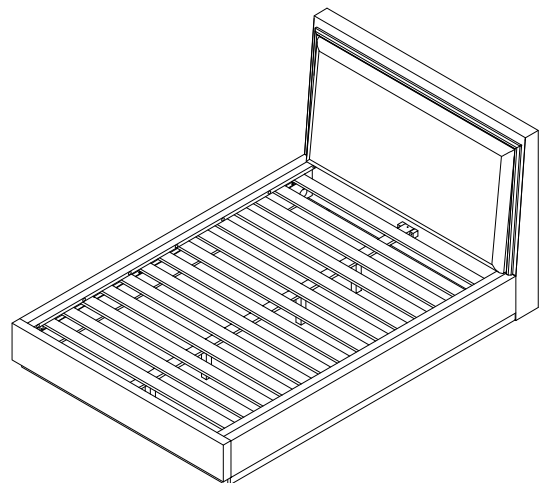
No	Description	Image	Quantity
1	ALL- THREAD BOLT (5/16"x100mm)		8 pcs
2	HALF MOON WASHER (5/16")		8 pcs
3	HEX NUT (5/16")		8 pcs
4	SPANNER		1 pc
5	ALLEN BOLT (1/4"x50mm)		14 pcs
6	ALLEN BOLT (1/4"x40mm)		2 pcs
7	LOCK WASHER (5/16")		16 pcs
8	FLAT WASHER (1/4")		16 pcs
9	ALLEN KEY		1 pc
10	WOOD SCREW (4x30mm)		4 pcs

BOX #3

C. SIDE RAIL (2 PCS)
E. CENTER SLAT SUPPORT (1PC)
F. MATTRESS SPACER (2PCS)
G. SUPPORT LEG (4PCS)



FULLY ASSEMBLED



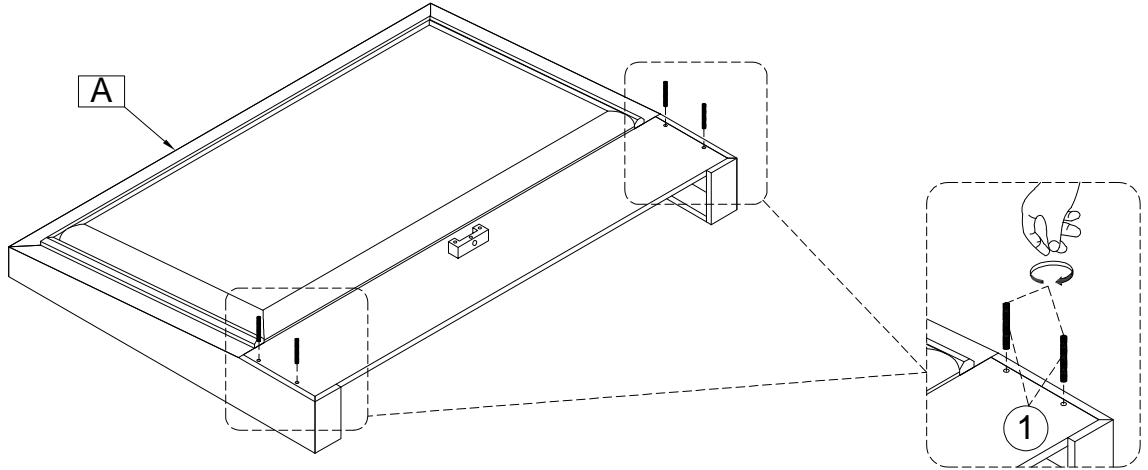
Not provided

ASSEMBLE ON A SOFT SURFACE

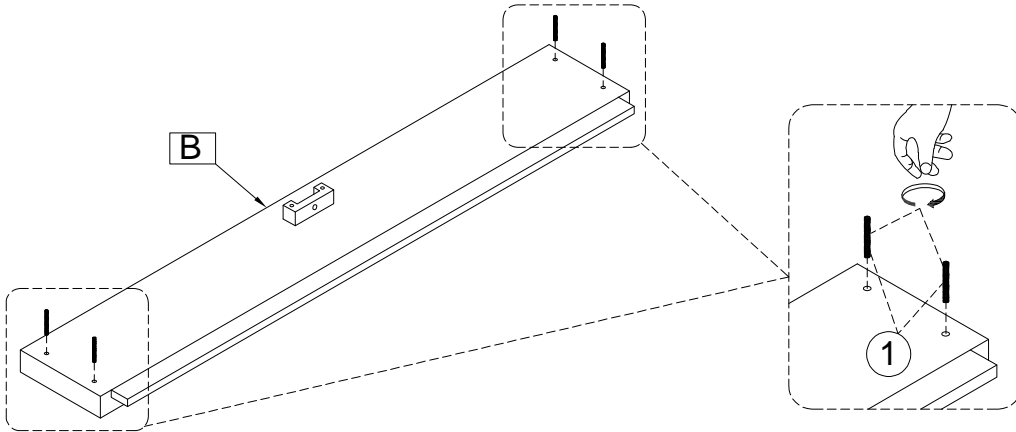
LAWSON CAL KING BED ASSEMBLY INSTRUCTIONS



STEP #1:

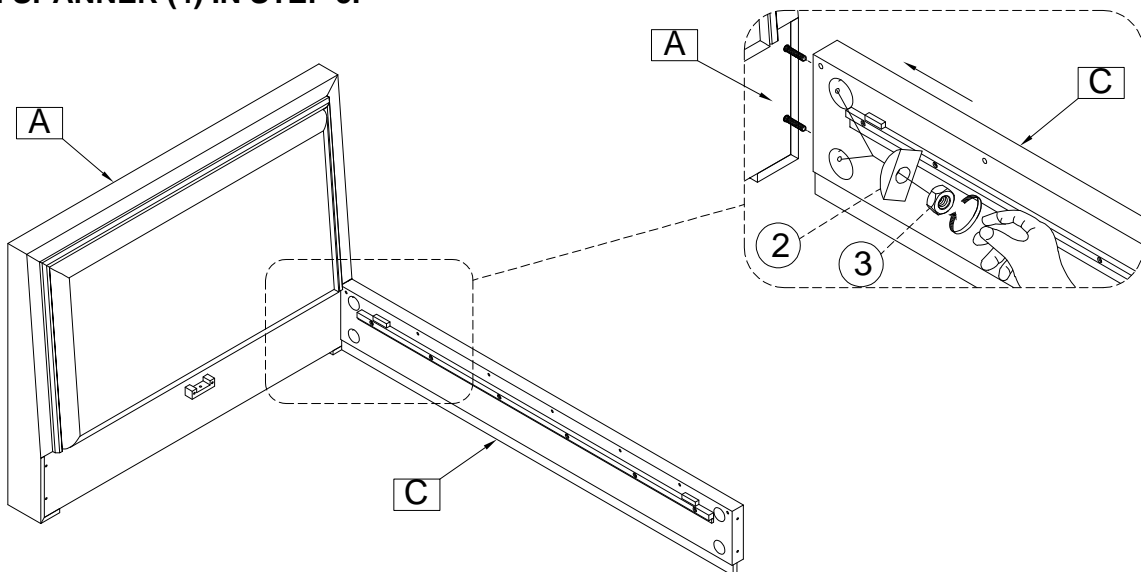


STEP #2:



STEP #3:

NOTE: HEX NUT (3) WILL BE FULLY TIGHTENED WITH SPANNER (4) IN STEP 5.

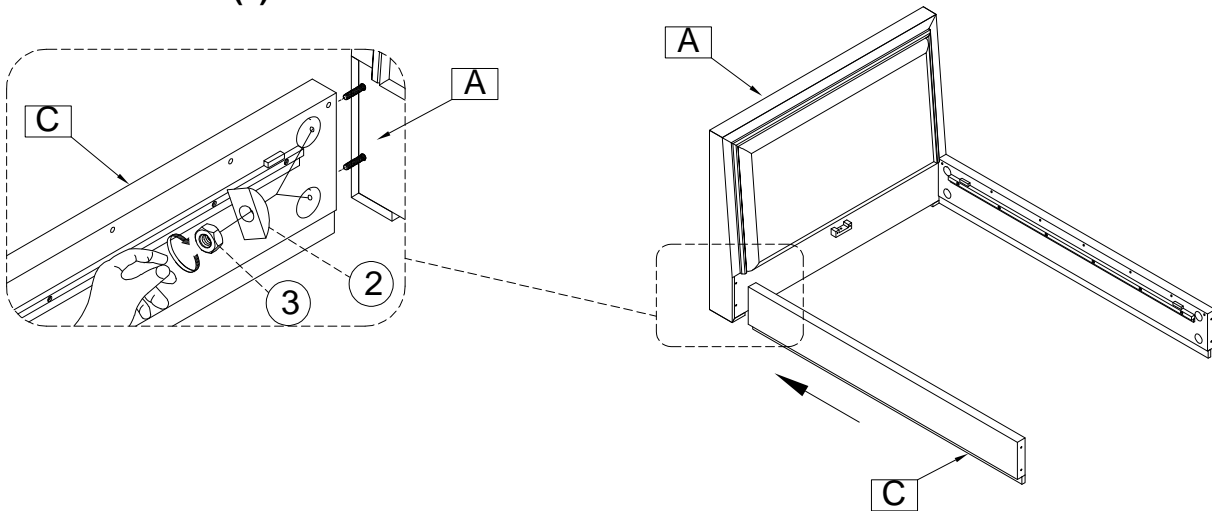


LAWSON CAL KING BED ASSEMBLY INSTRUCTIONS



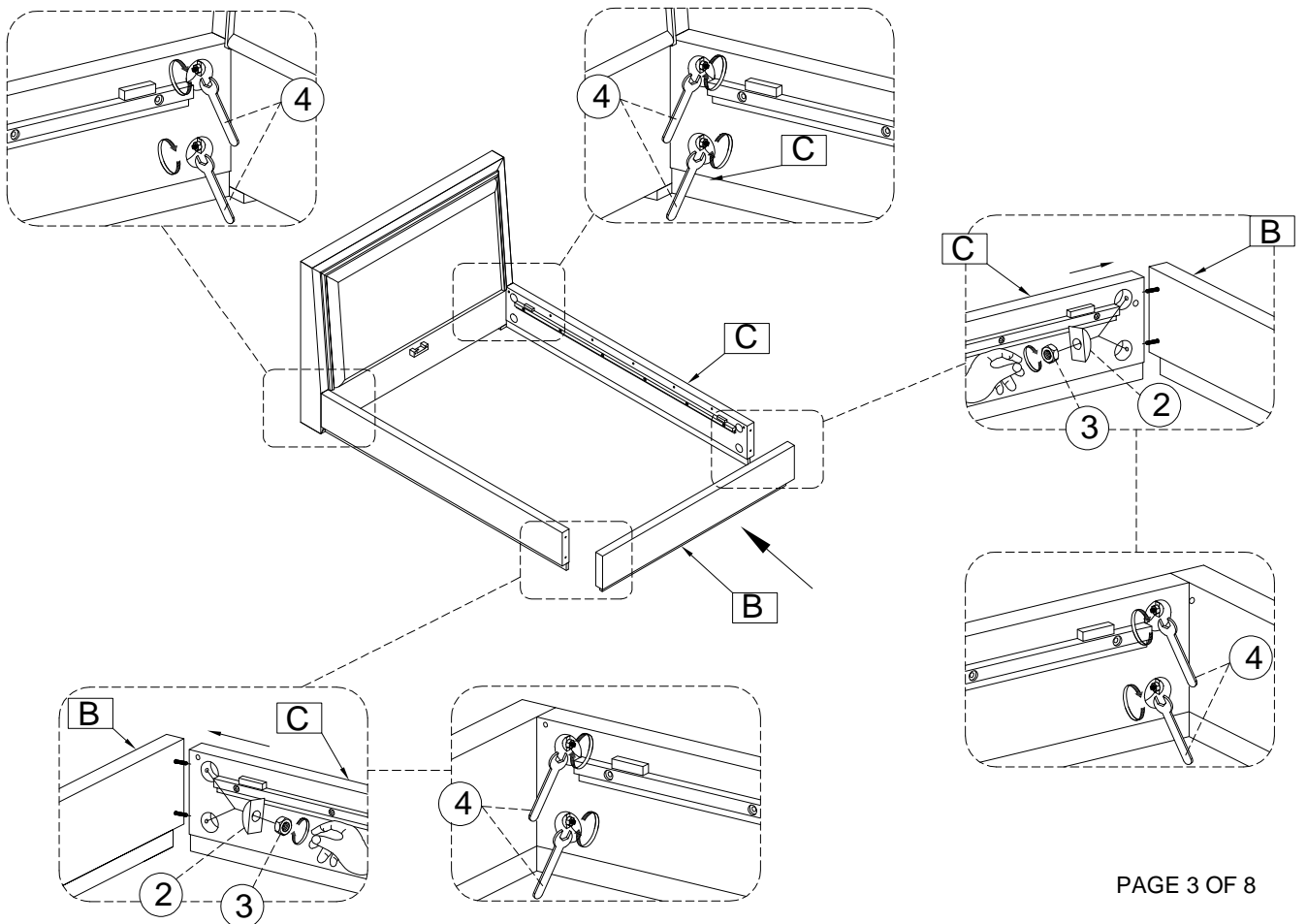
STEP #4:

NOTE: HEX NUT (3) WILL BE FULLY TIGHTENED WITH SPANNER (4) IN STEP 5.



STEP #5:

NOTE: AFTER INITIALLY HAND-TIGHTENING THE HEX NUTS (3), THEY CAN ALL BE FULLY TIGHTENED NOW USING THE SPANNER (4).



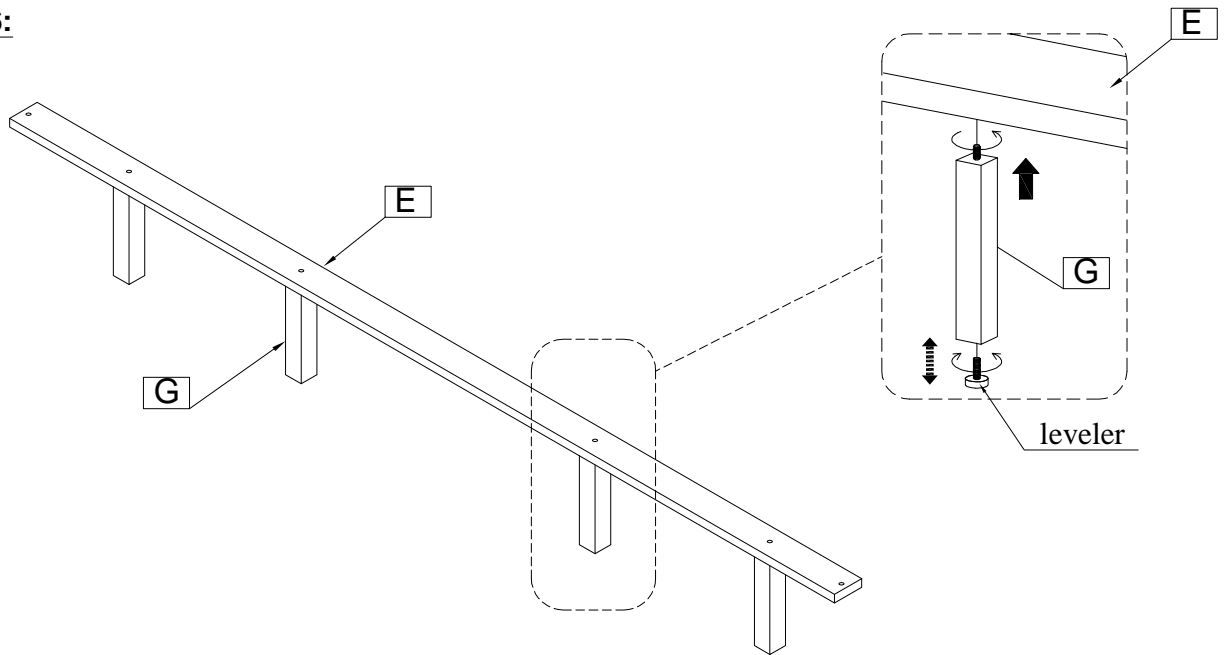
LAWSON CAL KING BED ASSEMBLY INSTRUCTIONS



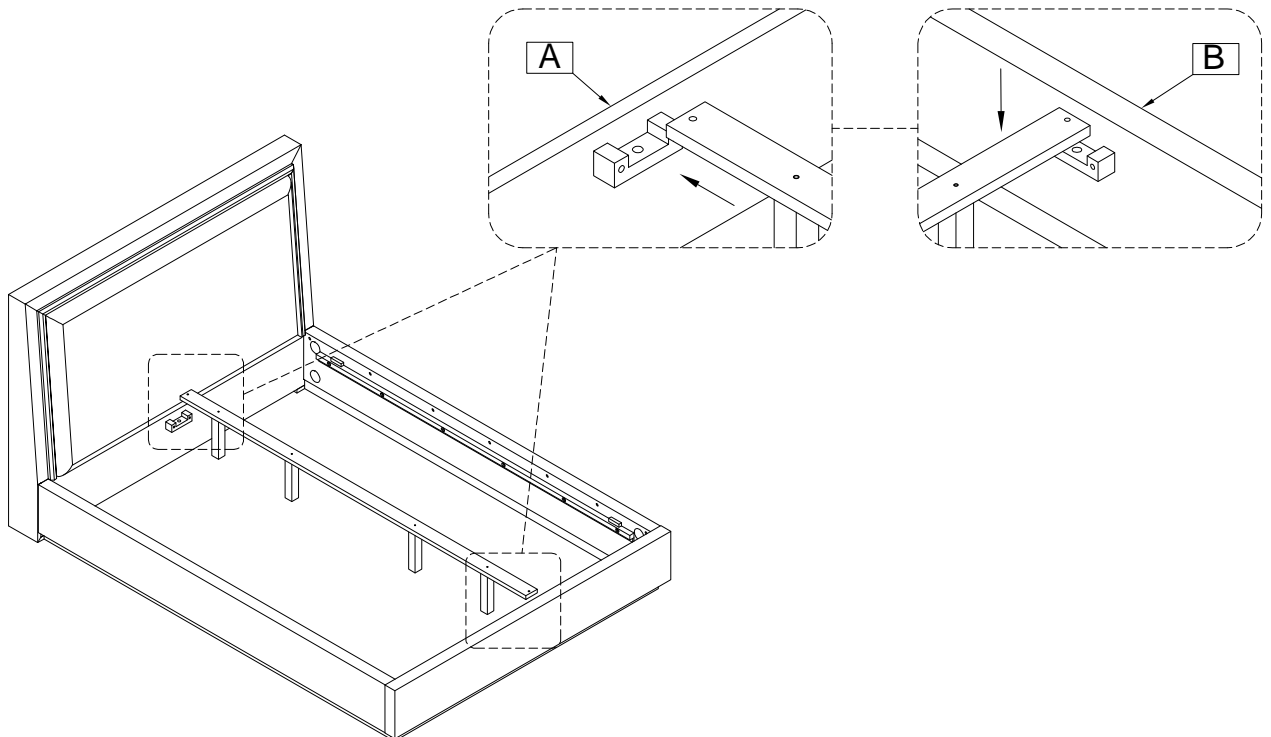
STOP

- * IF USING BED FRAME WITH ADJUSTABLE MATTRESS BASE, SKIP TO APPENDIX A: ADJUSTABLE MATTRESS BASE ASSEMBLY SUPPLEMENT.
- * IF USING BED FRAME WITH STANDARD BOX SPRING OR FOUNDATION CONTINUE TO STEP 6.

STEP #6:



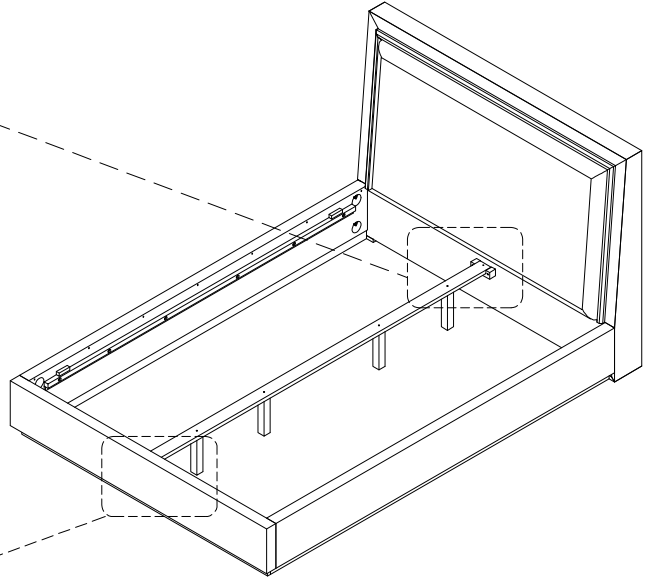
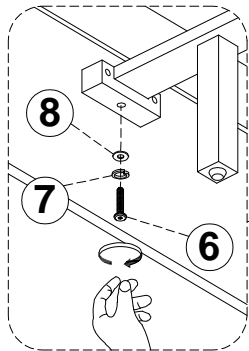
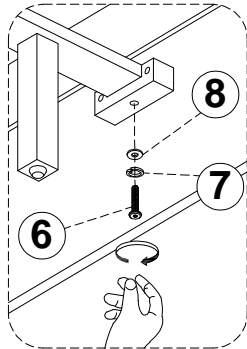
STEP #7:



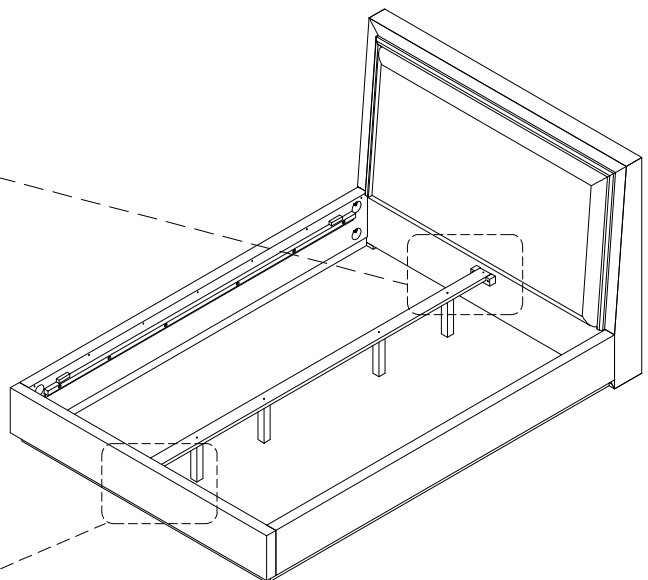
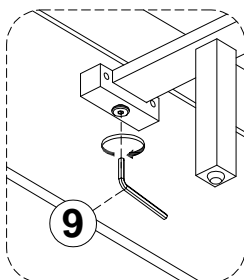
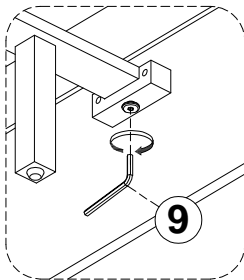
LAWSON CAL KING BED ASSEMBLY INSTRUCTIONS



STEP #8:



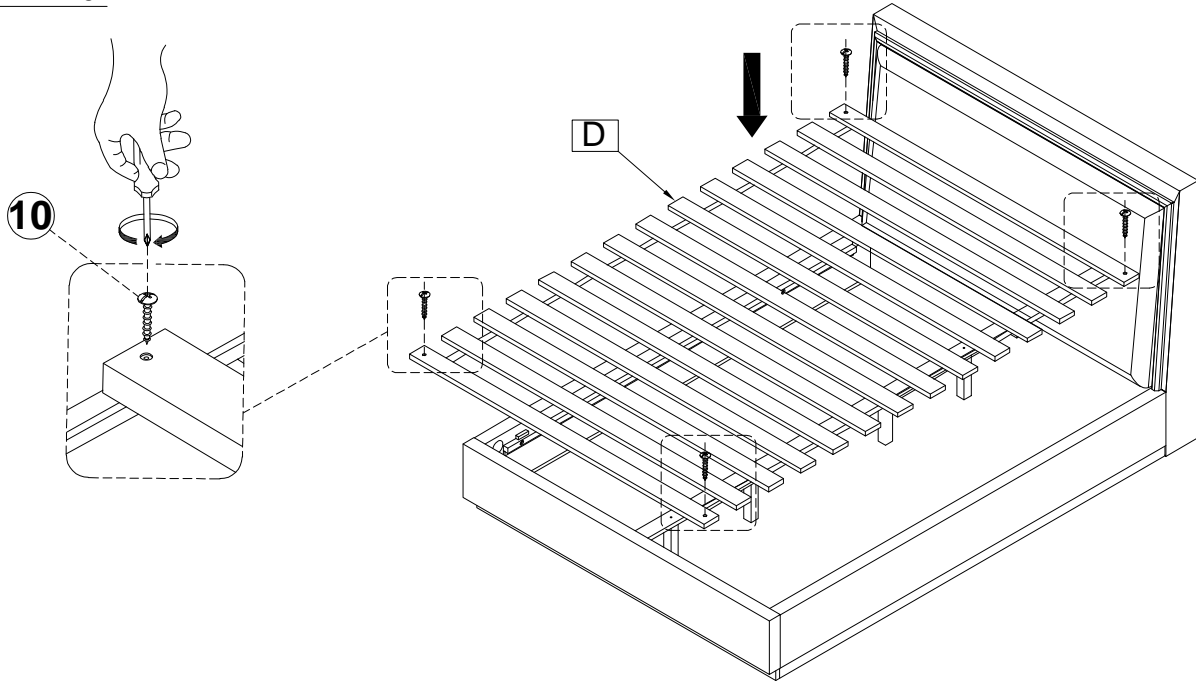
STEP #9:



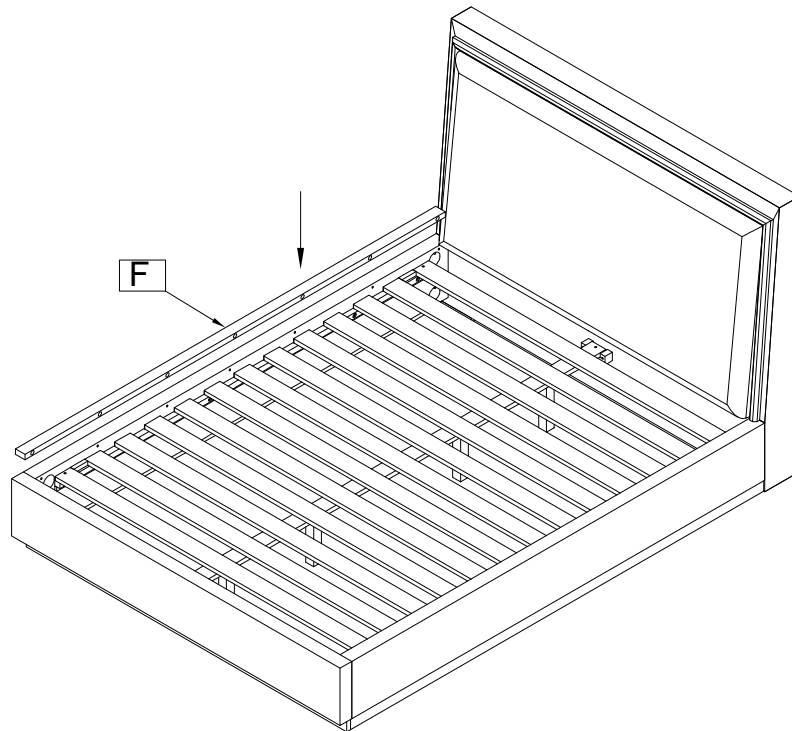
LAWSON CAL KING BED ASSEMBLY INSTRUCTIONS



STEP #10:



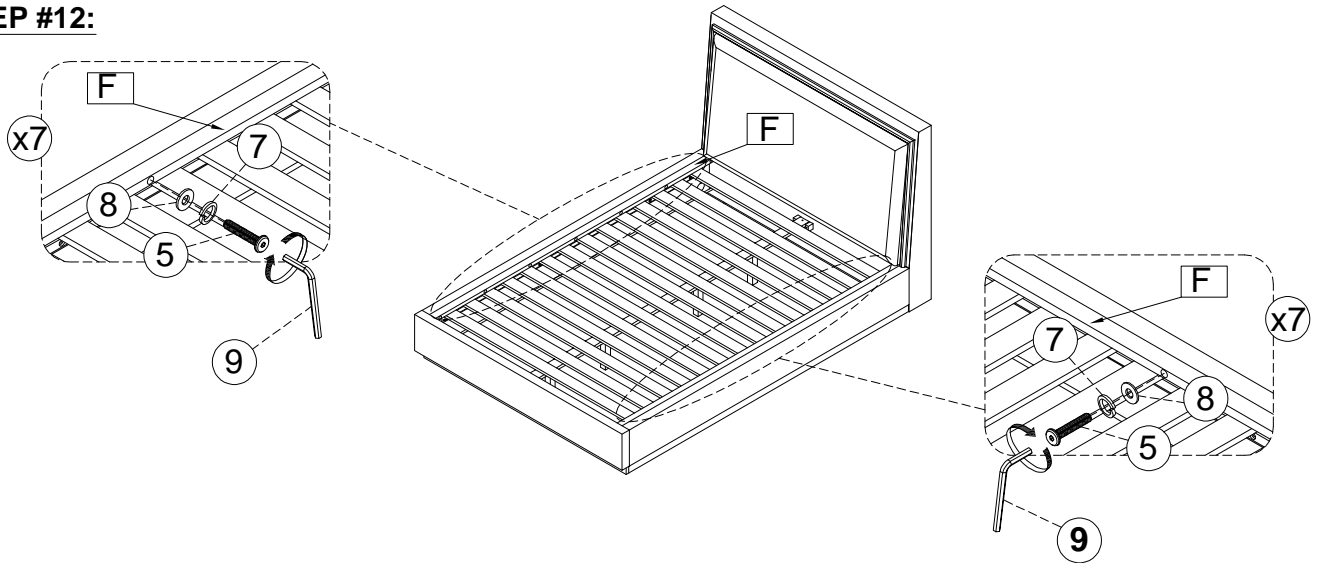
STEP #11:



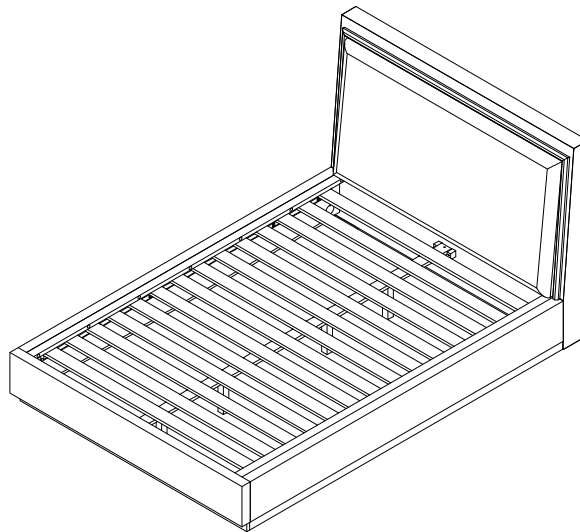
LAWSON CAL KING BED ASSEMBLY INSTRUCTIONS



STEP #12:

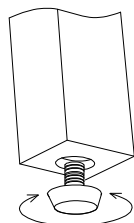


ASSEMBLY COMPLETE.



INSTRUCTIONS FOR ADJUSTING LEVELER:

- * POSITION THE BED IN YOUR SPACE AND LOCATE THE LEVELER UNDER EACH SUPPORT LEG.
- * TURN THE LEVELER COUNTER- CLOCKWISE TO EXTEND THE LEVELER AND CLOCKWISE TO RETRACT IT.
- * ADJUST EACH LEVELER UNTIL EACH SUPPORT LEG IS APPLYING EQUAL, UPWARD PRESSURE ON THE BED SUPPORT SLAT.



MAINTENANCE INSTRUCTIONS:

- * PERIODICALLY CHECK ALL FITTINGS AND TIGHTEN IF NECESSARY, AS THEY CAN LOOSEN OVER TIME.
- * ALWAYS REMOVE BOX SPRING AND MATTRESS BEFORE MOVING THE BED.
- LIFT THE BED WHEN MOVING IT. DRAGGING THE BED CAN DAMAGE THE CENTER SUPPORT.
- * READJUST LEVELERS AFTER MOVING THE BED.

LAWSON CAL KING BED ASSEMBLY INSTRUCTIONS

APPENDIX A: ADJUSTABLE MATTRESS BASE ASSEMBLY SUPPLEMENT



AN ADJUSTABLE MATTRESS BASE IS A FREESTANDING MATTRESS SUPPORT THAT SITS WITHIN THE PERIMETER OF THE BED FRAME.

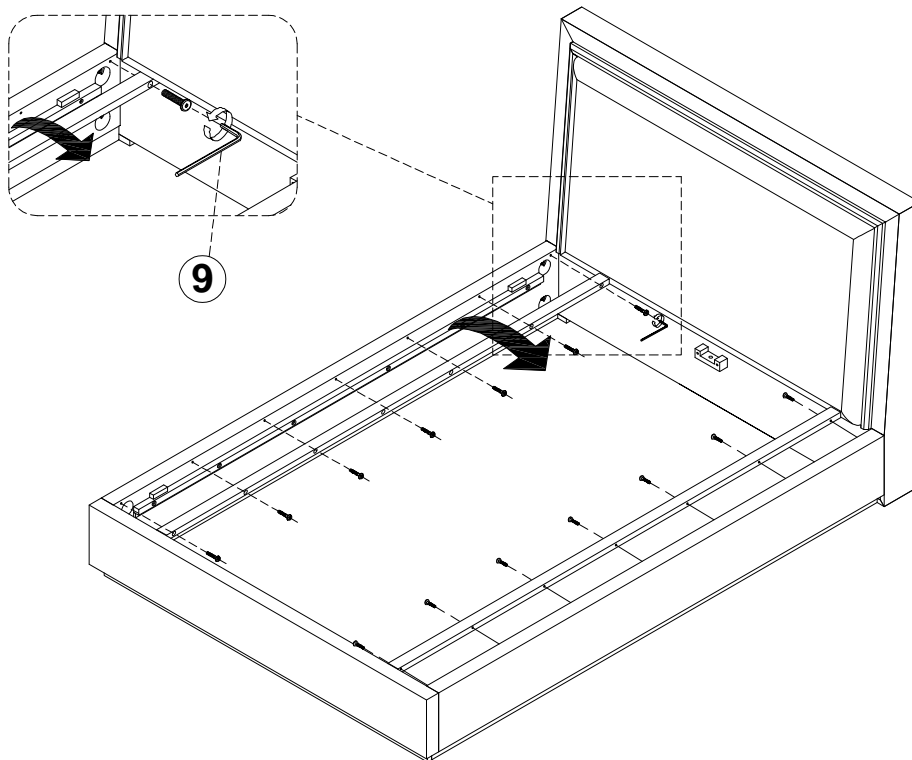
IF USING THIS BED FRAME WITH A STANDARD BOX SPRING OR FOUNDATION THESE INSTRUCTIONS DO NOT APPLY.
PRE-ASSEMBLED SIDE RAIL CLEATS OBSTRUCT ADJUSTABLE BASE INSTALLATION AND OPERATION. FOLLOW THESE INSTRUCTIONS TO REMOVE THEM.

THE FOLLOWING PARTS ARE NOT REQUIRED FOR ADJUSTABLE MATTRESS BASE INSTALLATION:

- | | |
|------------------------------|---------------------------------|
| D. SLAT ROLL (1SET) | 5. ALLEN BOLT 1/4"x50mm (14PCS) |
| E. CENTER SLAT SUPPORT (1PC) | 6. ALLEN BOLT 1/4"x40mm (2PCS) |
| F. MATTRESS SPACER (2PCS) | 7. LOCK WASHER 5/16" (16PCS) |
| G. SUPPORT LEG (4PCS) | 8. FLAT WASHER 1/4" (16PCS) |
| | 9. ALLEN KEY (1PC) |
| | 10. WOOD SCREW 4x30mm (4PCS) |

STEP 1:

USE ALLEN KEY (9) TO UNSCREW ALLEN BOLTS AND REMOVE PRE-ASSEMBLED SIDE RAIL CLEATS.



NOTE: YOU MAY WISH TO RETAIN UNUSED PARTS IF IN THE FUTURE YOU INTEND TO USE THE BED FRAME WITH A STANDARD BOX SPRING OR FOUNDATION