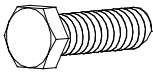


# ASSEMBLY INSTRUCTIONS

## Kit Contents:-

1. Bolts-9Pc.  
25x10mm.



2. Spanner-1Pc.  
14-15mm.



3. Allen-Bolt-3Pc.  
40x6mm.



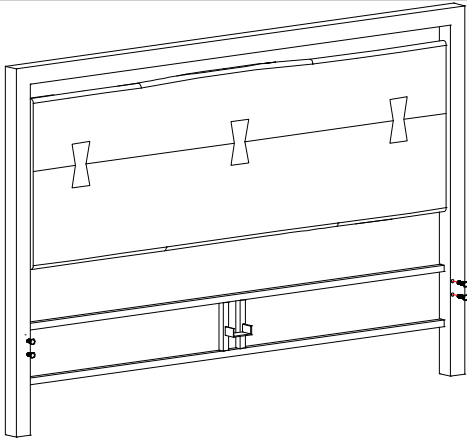
4. Allenkey-1Pc.  
4mm.



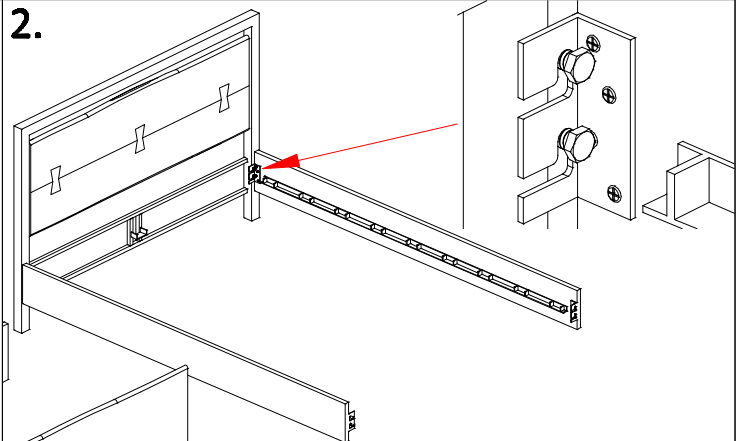
## Instructions:-

1. Place headboard against the wall and insert half of bolts, do not tighten as shown in picture1.
2. Match the label on side rail & headboard ("A"- "A") & place the side rail on headboard and tighten the bolts. Match the label on side rail & footboard place the side rail on footboard and tighten the bolts as shown in picture2.
3. Similarly match the headboard & footboard label with center support & fix the center support as shown in picture3.
4. Now place the center leg underneath the center support. Tighten with allenkey bolt as shown picture4.
5. Place the slats between center support & side rail as shown picture5.
6. Now the bed are ready to use as shown picture6.

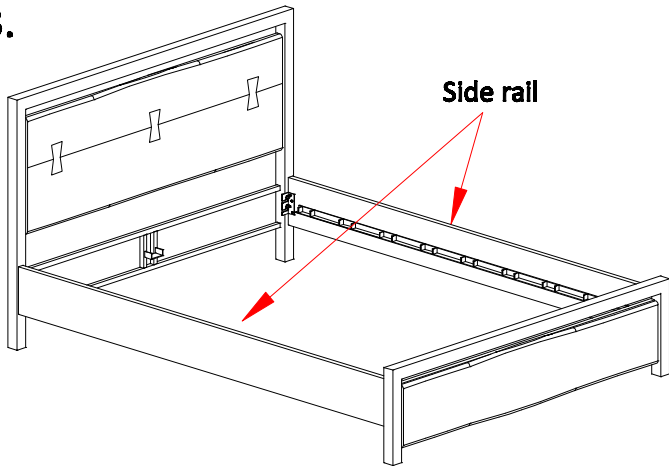
1.



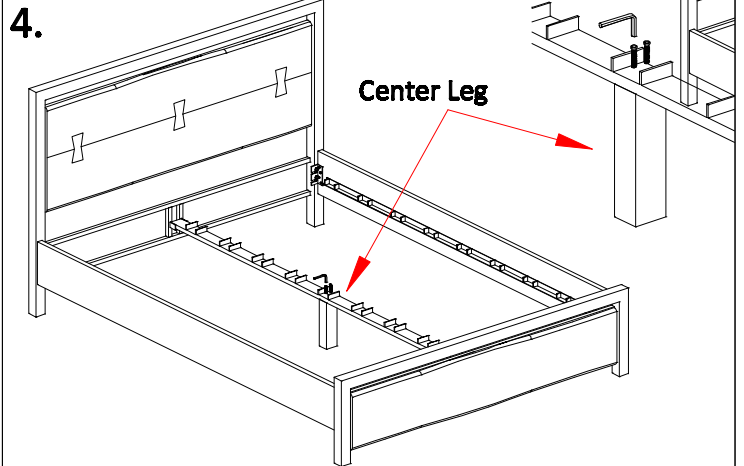
2.



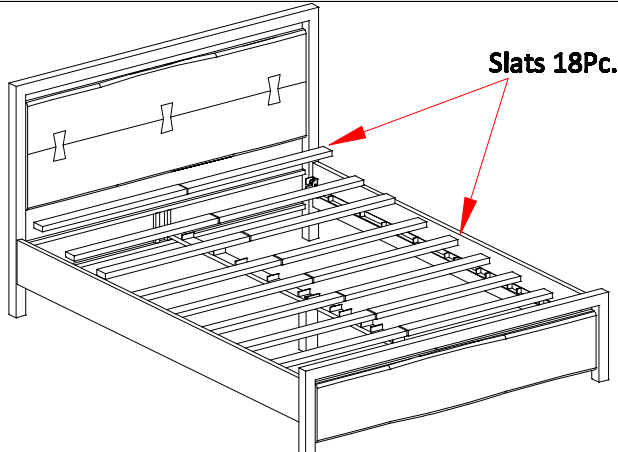
3.



4.



5.



6.

