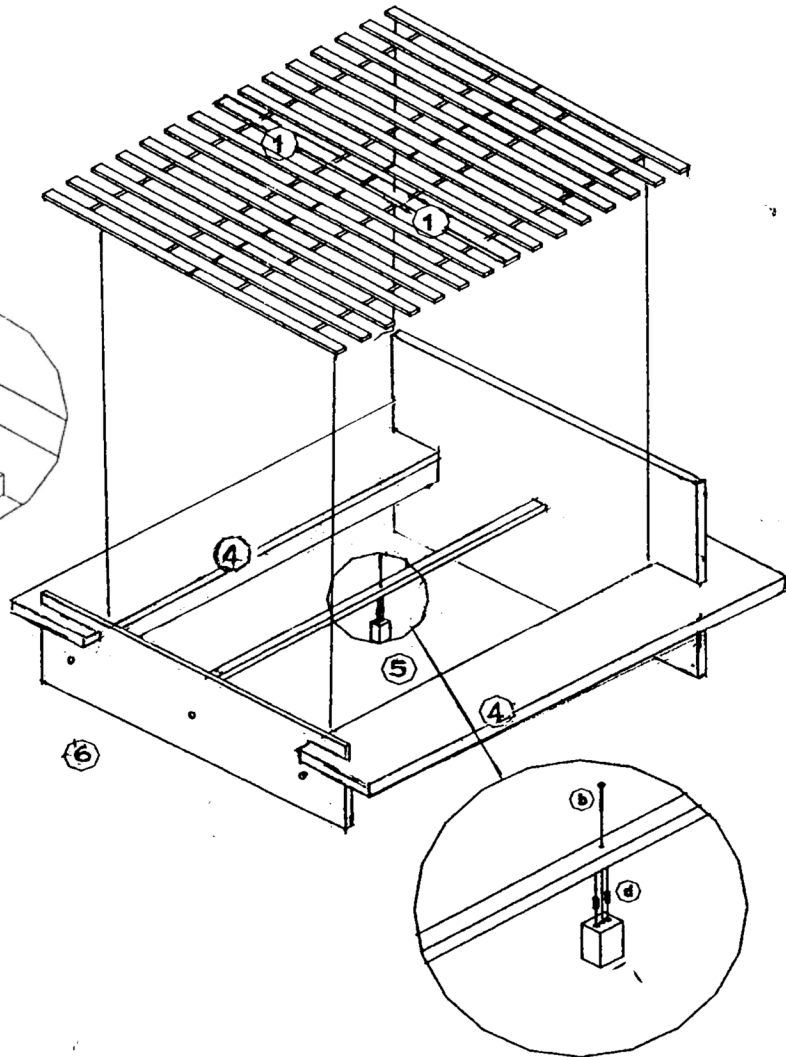
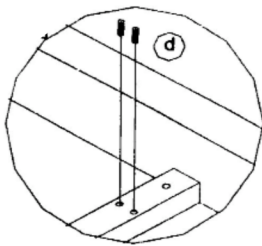


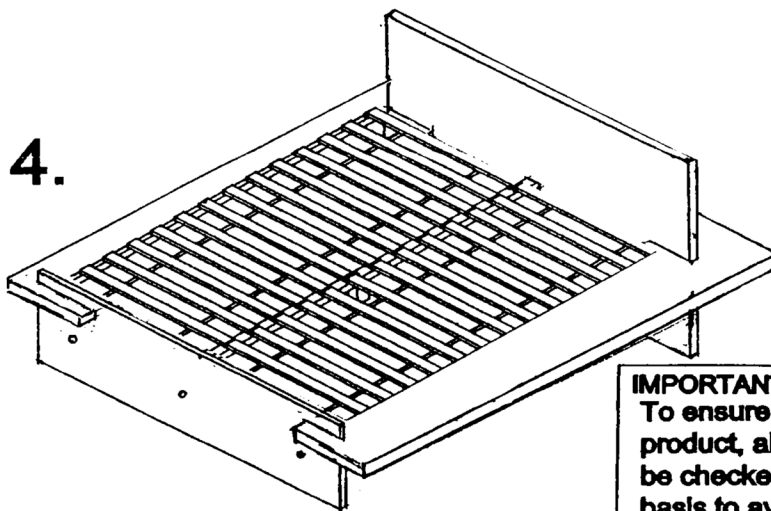
3.

3A



STEP 3. Put 8 dowels (d) into the holes in the bed. See Detail 3A. Stretch the slats (1) over the dowels, creating a taught surface.

4.



STEP 4. Finished bed shown. Wooden caps can be lightly tapped into holes to cover bolts (optional).

IMPORTANT:
To ensure maximum service from this product, all bolts and screws should be checked for tightness on a regular basis to avoid damage to parts.