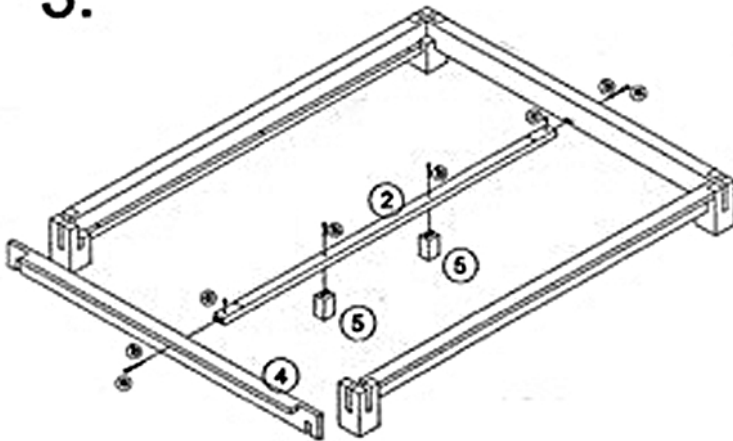


Raku Bed

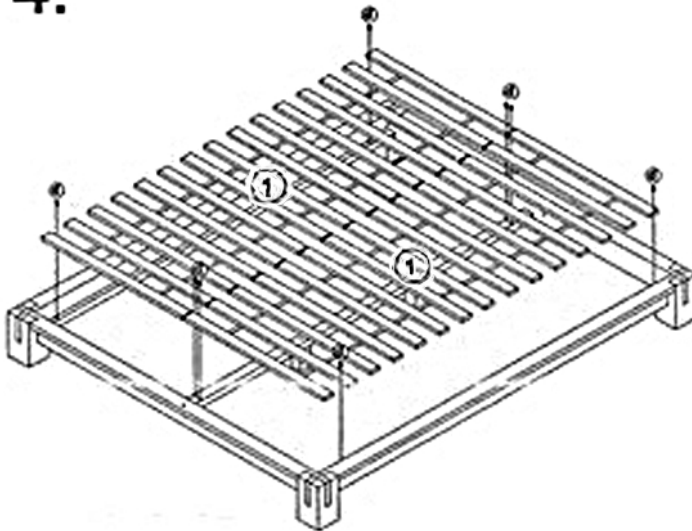
Assembly Instructions

Full, Queen, or King Beds

3.



4.



5.

