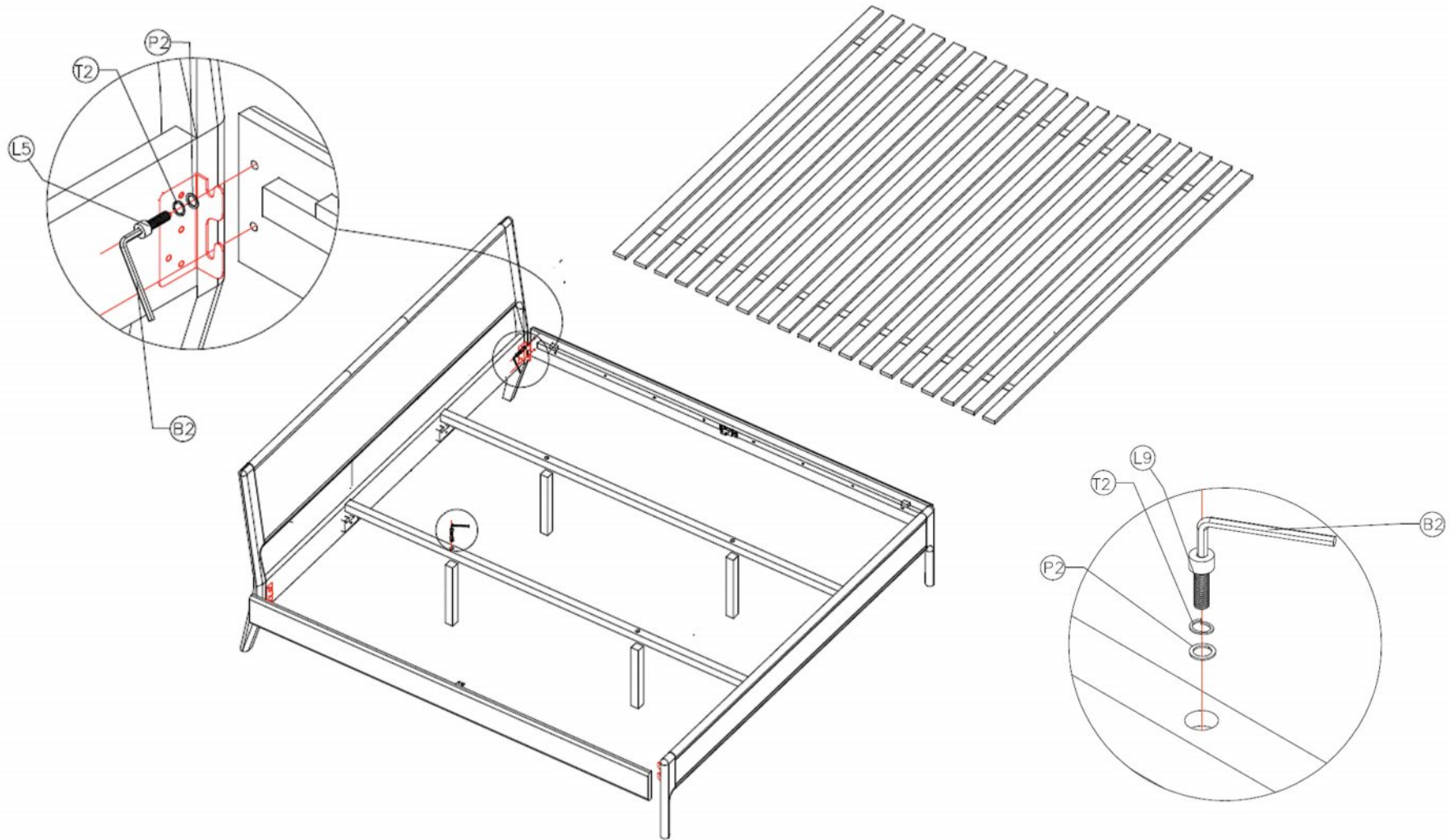


Assembly Instruction



P2	φ5/16 x 16 x 1.5T 12 PCS		B2	5 mm 1 PC	
T2	φ 5/16 x 13 x 1.5T 12 PCS				
L5	φ 5/16 X 20mm 8 PCS				
L9	φ 5/16 x 55mm 4 PCS				