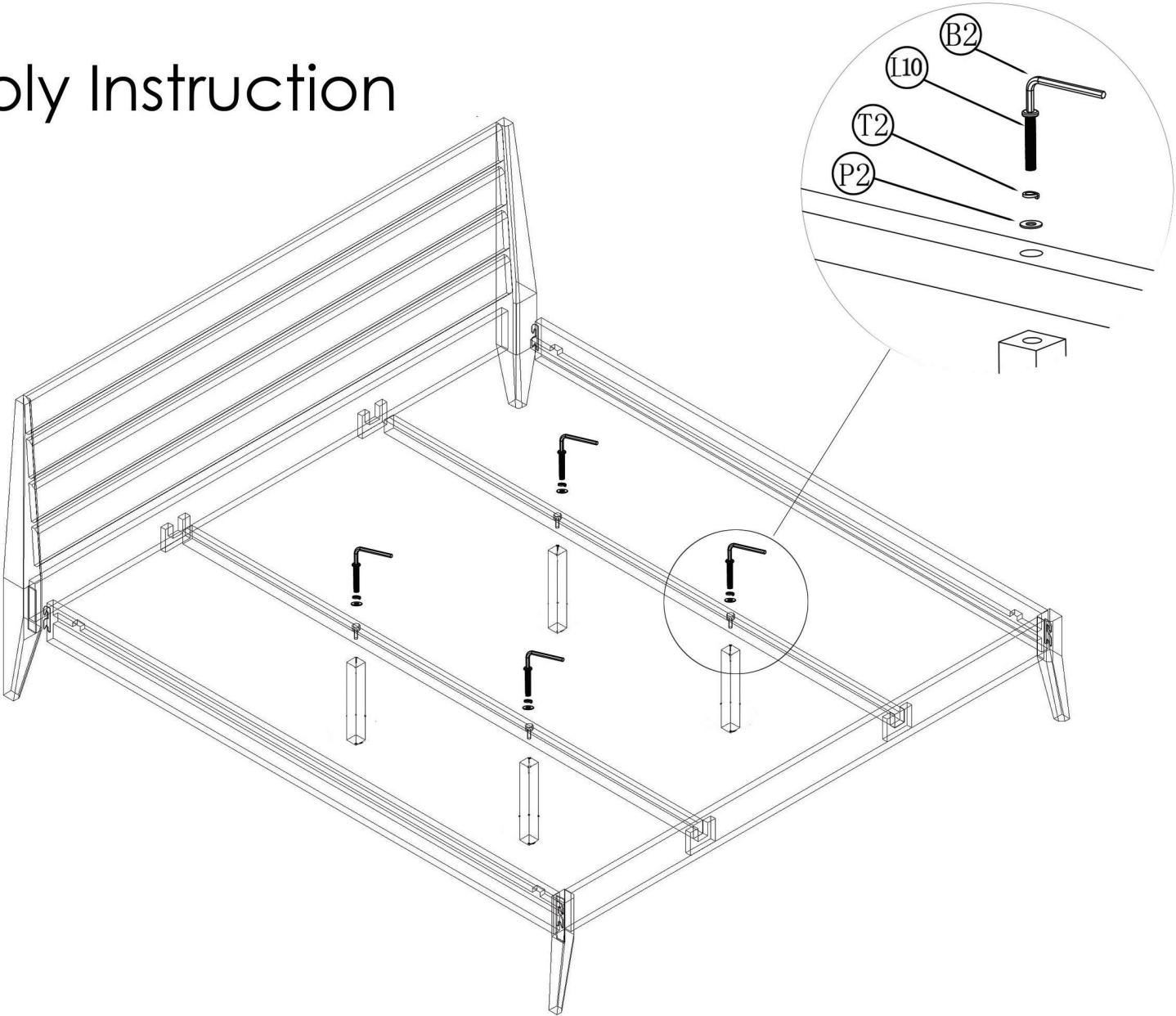


Assembly Instruction



Sienna Queen Platform Bed
G0091

P2		Φ5/16x16x1.5T 4 PCS	●		
T2		Φ5/16x13x1.5T 4 PCS	●		
L10		Φ5/16 x 60mm 4 PCS	●		
B2		5 mm 1 PC	●		