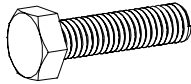


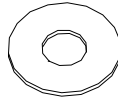
ASSEMBLY INSTRUCTIONS

Kit Contents :-

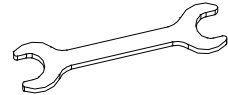
1. Bolts - 5Pc.
25x8mm.



2. Washers - 5Pc.
8mm.



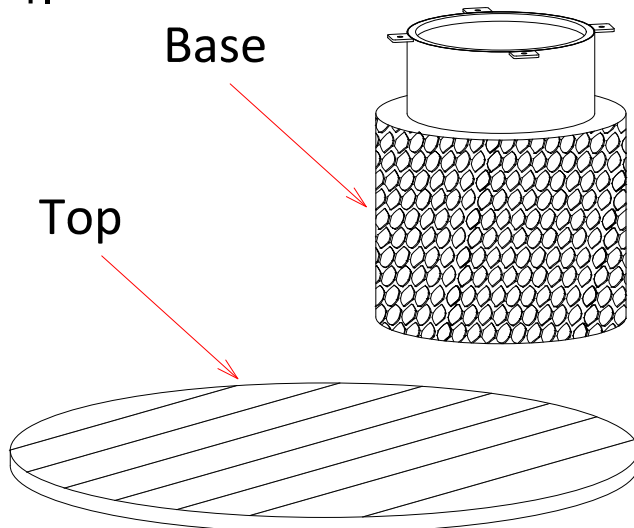
3. Spanner - 1Pc.
12-13mm.



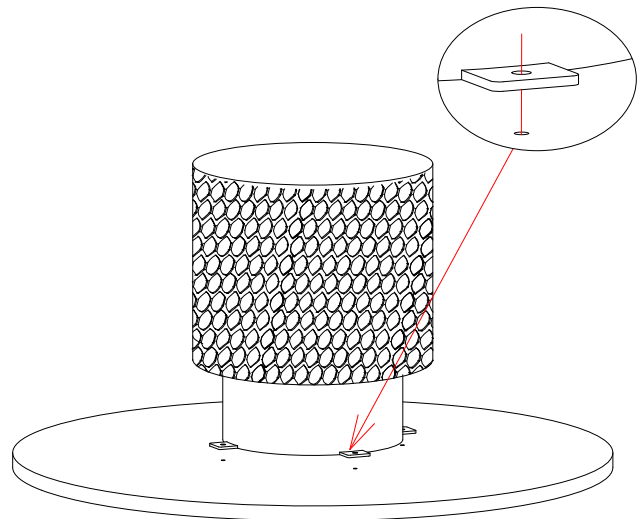
Instructions:-

1. Place table top & legs on a protective surface.
2. Match the hole on legs with bottom of table top holes as shown in image 2.
3. Now fix the leg with table top using bolts & washers with spanner provided. (as shown in image 3)
4. Now turned the table up right & is ready to use.

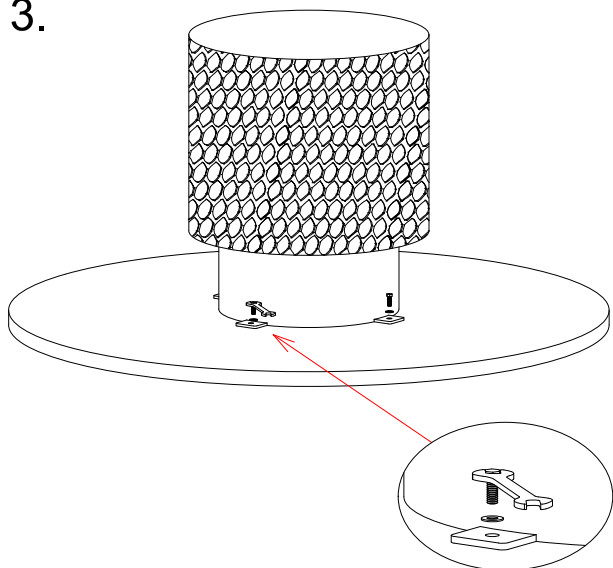
1.



2.



3.



4.

