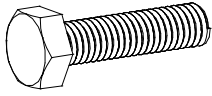


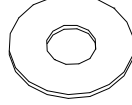
ASSEMBLY INSTRUCTIONS

Kit Contents:-

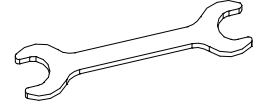
1. Bolts- 13 Pc.
25x8mm.



2. Washers- 13 Pc.
8mm.



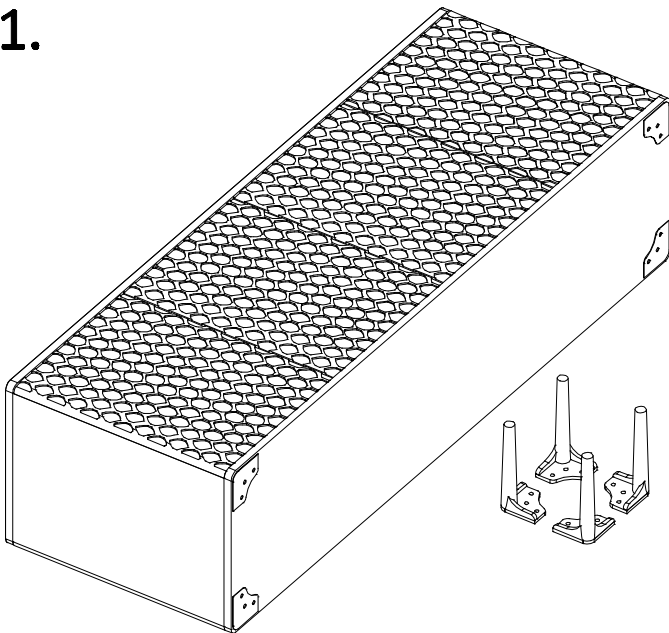
3. Spanner- 01 Pc.
12-13mm.



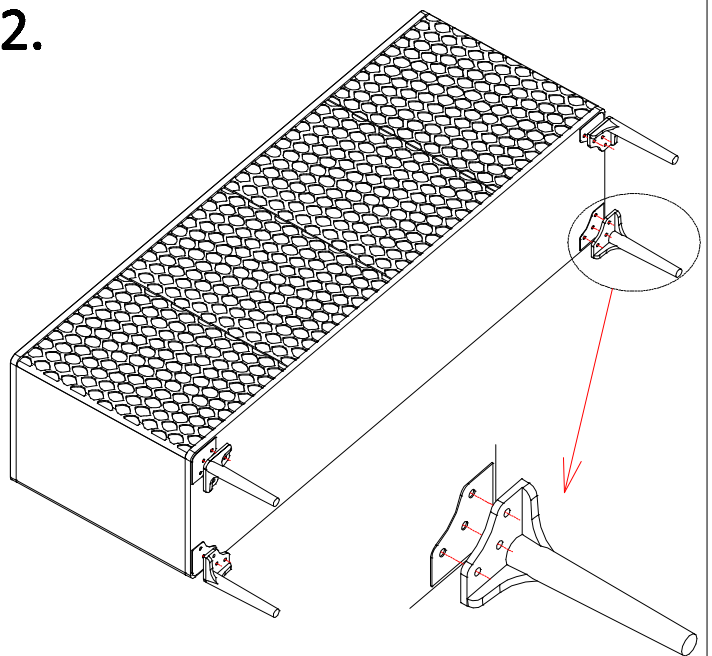
Instructions:-

1. Place the sideboard & legs on a protective surface.
2. Now match the hole on legs with sideboard bottom holes as shown in image 2.
3. Now fix the legs with sideboard using bolts & washers with spanner as shown in image 3.
4. Now place the sideboard up right & is ready to use.

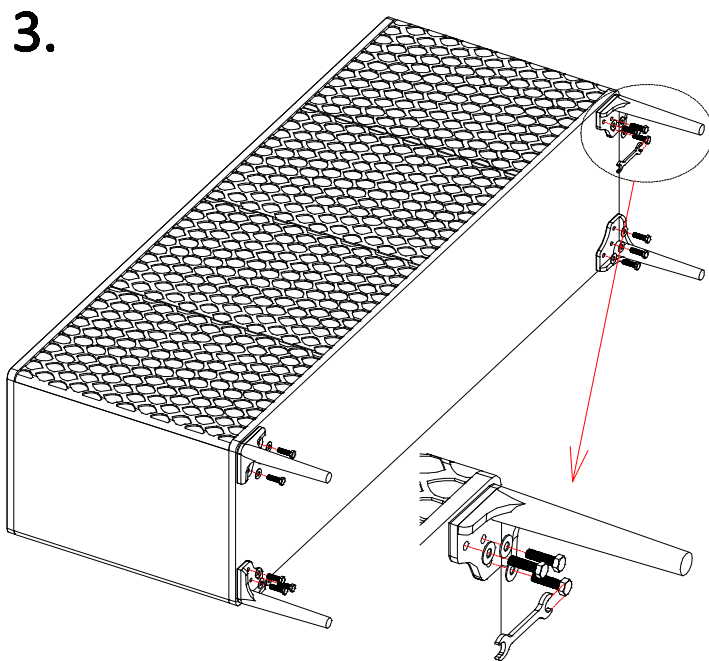
1.



2.



3.



4.

