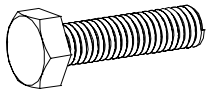


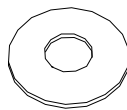
ASSEMBLY INSTRUCTIONS

Kit Contents :-

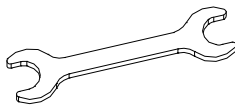
1. Bolts-13Pc.
20x8mm.



2. Washers-18Pc.
8mm.



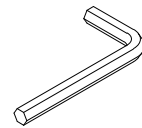
3. Spanner-1Pc.
12-13mm.



4. Allenbolts-5Pc.
15x8mm.



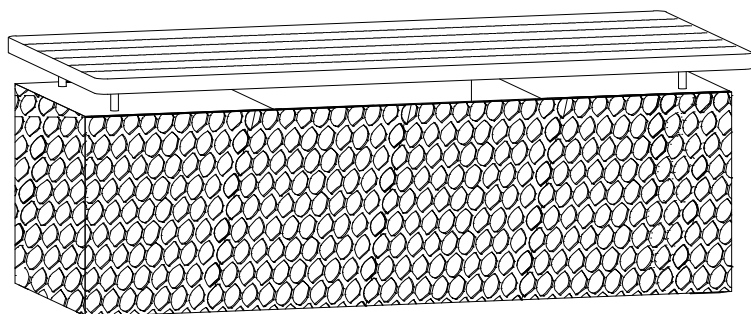
5. Spanner-1Pc.
5mm.



Instructions :-

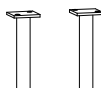
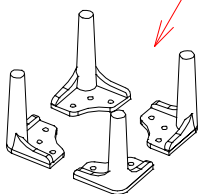
1. Place the desk & legs on a protective surface.
2. Match the holes on legs with bottom of table top holes & match the other round center legs with bottom of desk as shown in image 2.
3. Now fix the base with desk using bolts and washers with spanner, fix the allenbolts & allenkey provided. (as shown in image 3)
4. Turned the round table upright & is ready to use.

1.

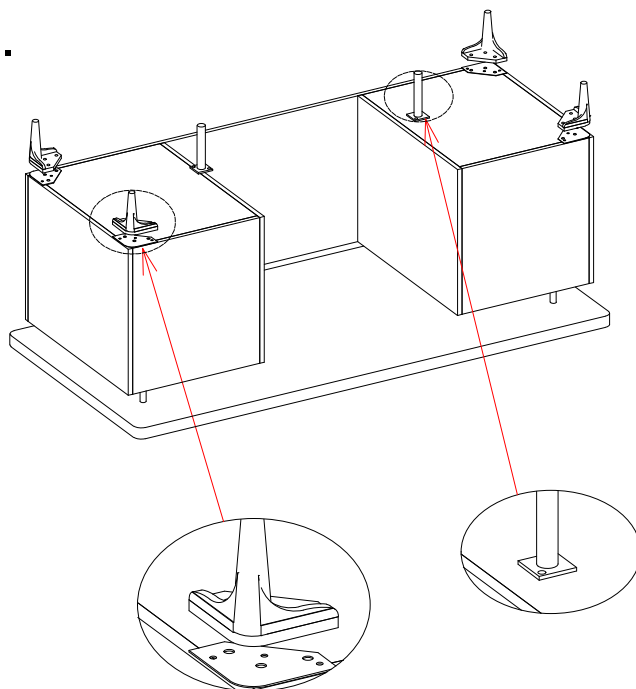


Legs

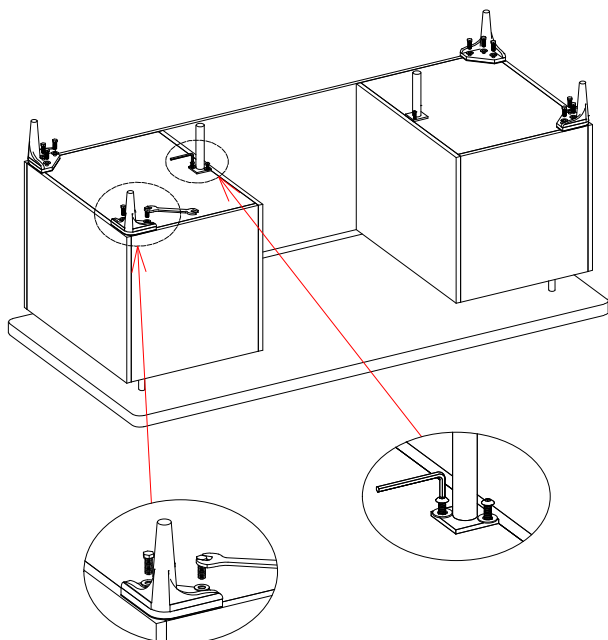
Round center Legs



2.



3.



4.

