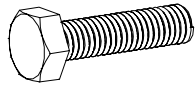


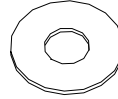
ASSEMBLY INSTRUCTIONS

Kit Contents :-

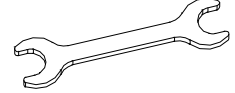
1. Bolts - 13Pc.
25x8mm.



2. Washers - 13Pc.
8mm.



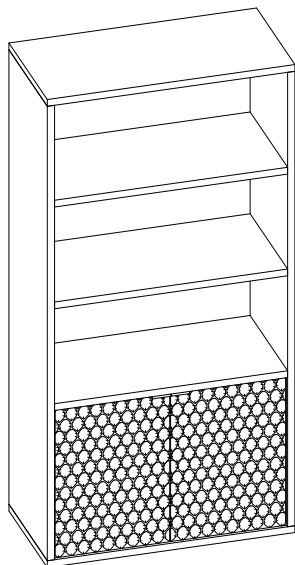
3. Spanner - 1Pc.
12-13mm.



Instructions :-

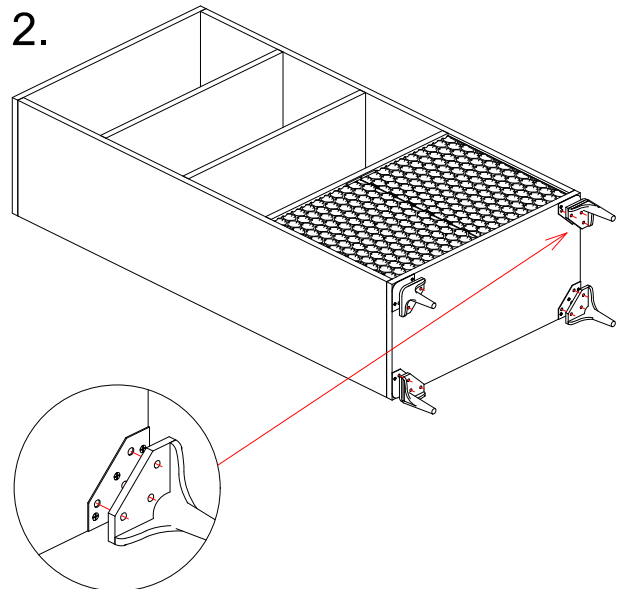
1. Place the bookshelf & legs on a protective surface.
2. Match the holes on legs with bottom of bookshelf holes as shown in image 2.
3. Now fix the legs with bookshelf using bolts & washers with spanner provided. (as shown in image 3)
4. Turned the bookshelf upright & is ready to use.

1.

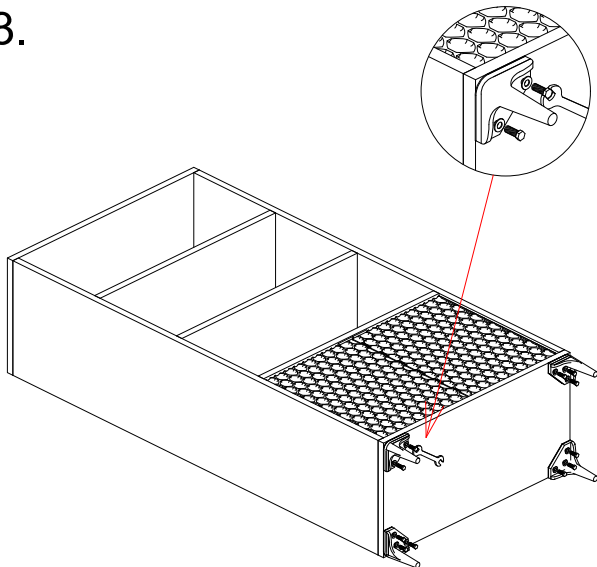


Legs

2.



3.



4.

