

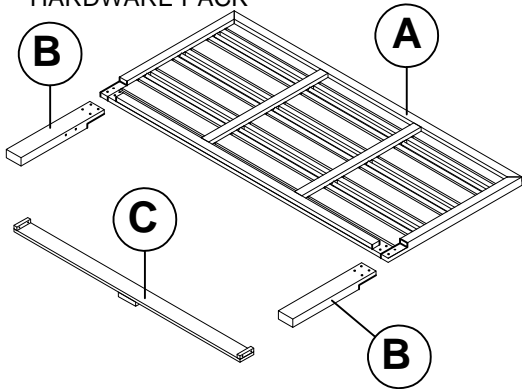
RETREAT FULL BED ASSEMBLY INSTRUCTIONS



PARTS PACKING CONFIGURATIONS

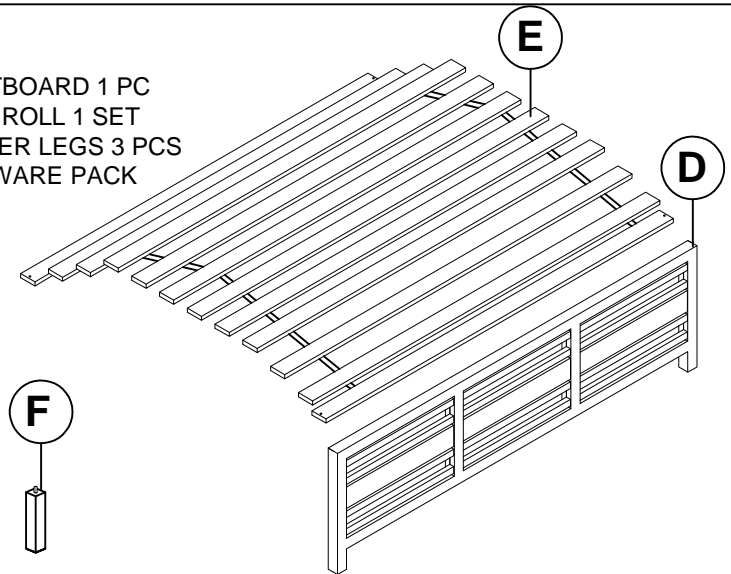
BOX #1:

- A. HEADBOARD 1 PC
- B. HEADBOARD LEG 1L/1R
- C. HEADBOARD STRETCHER 1PC
- * HARDWARE PACK



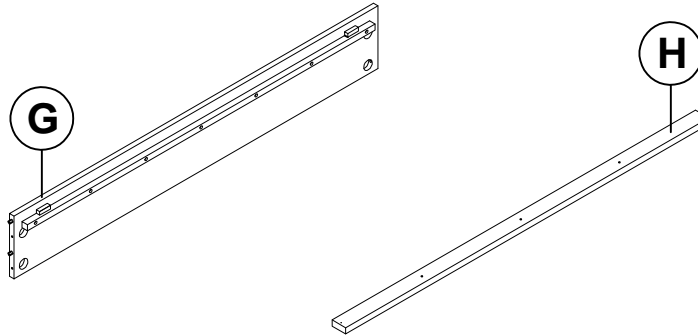
BOX #2:

- D. FOOTBOARD 1 PC
- E. SLAT ROLL 1 SET
- F. CENTER LEGS 3 PCS
- * HARDWARE PACK



BOX #3:

- G. SIDE RAIL 2 PCS
- H. CENTER SLAT SUPPORT 1 PC
- * HARDWARE PACK



HARDWARE PACKED IN BOX #1

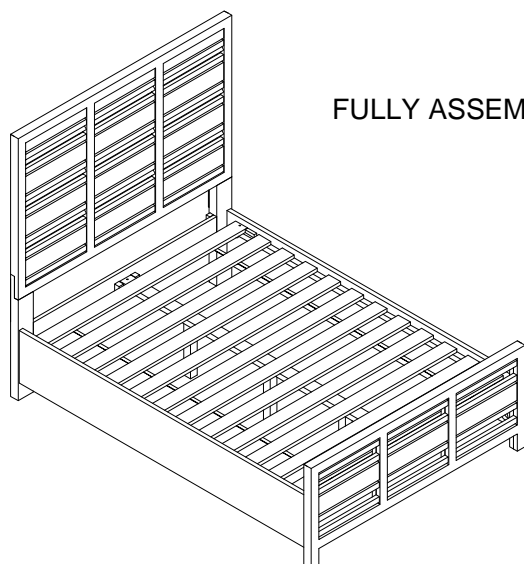
No	Description	Image	Quantity
1	ALLEN BOLT (8x40mm)		12 PCS
2	SPRING WASHER (Ø9x13mm)		12 PCS
3	FLAT WASHER (9x19mm)		12 PCS
4	ALLEN KEY		1 PC

HARDWARE PACKED IN BOX #2

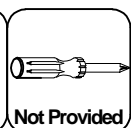
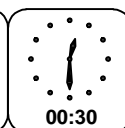
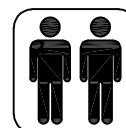
No	Description	Image	Quantity
5	HANGER BOLT (8x80mm)		8 PCS
6	HALF MOON WASHER (Ø9)		8 PCS
7	NUT (Ø9)		8 PCS
8	WRENCH (K13)		1 PC
9	WOOD SCREWS (4x30mm)		4 PCS

HARDWARE PACKED IN BOX #3

No	Description	Image	Quantity
10	WOOD SCREWS (4x30mm)		2 PCS



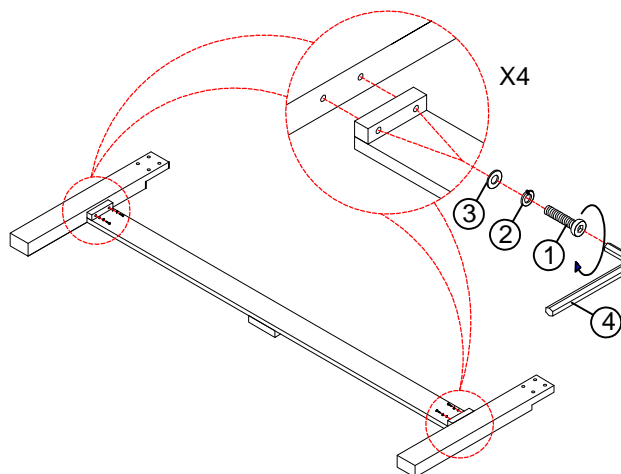
FULLY ASSEMBLED



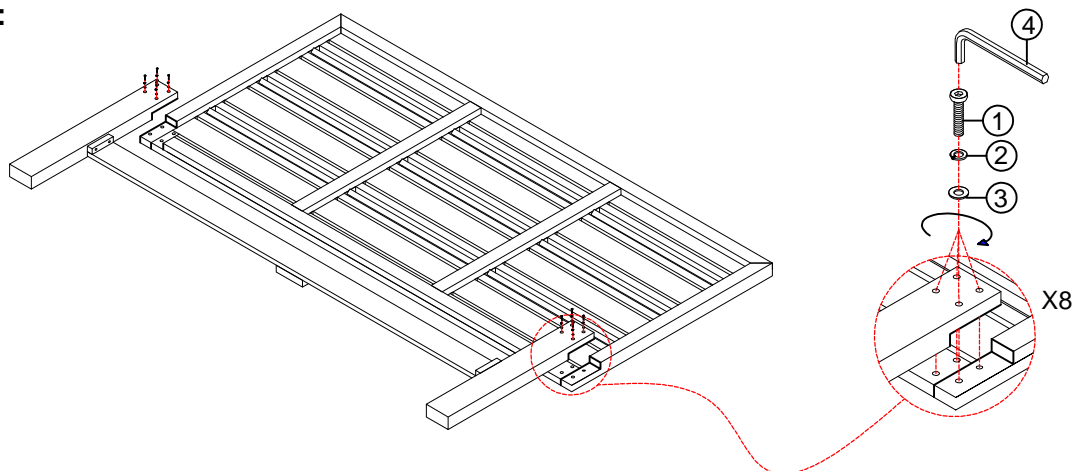
RETREAT FULL BED ASSEMBLY INSTRUCTIONS



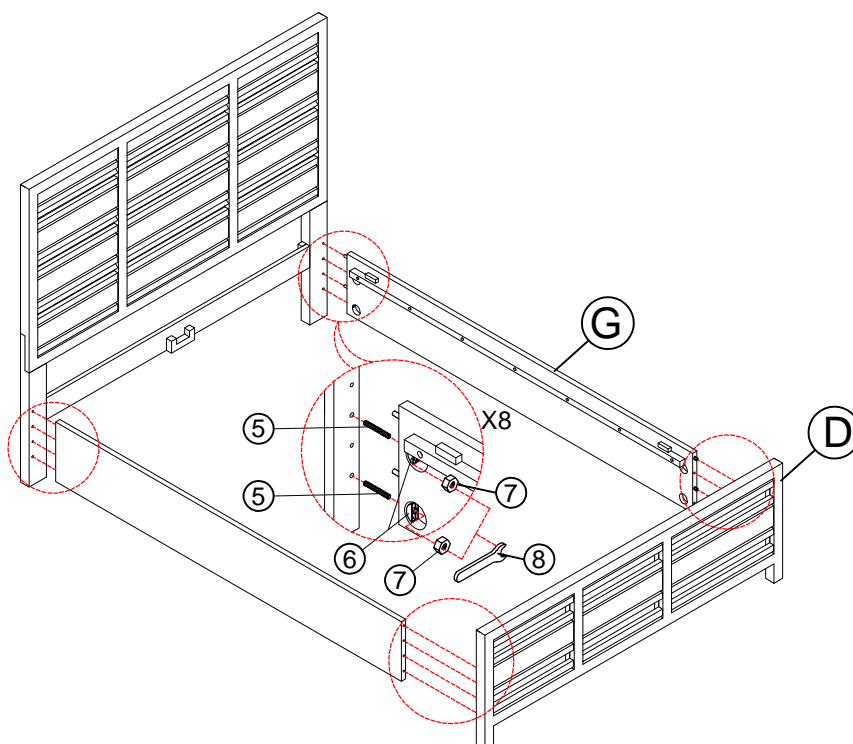
STEP 1:



STEP 2:



STEP 3:



RETREAT FULL BED ASSEMBLY INSTRUCTIONS

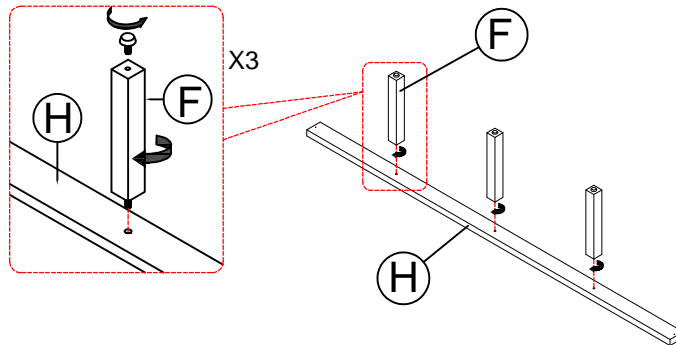


STOP

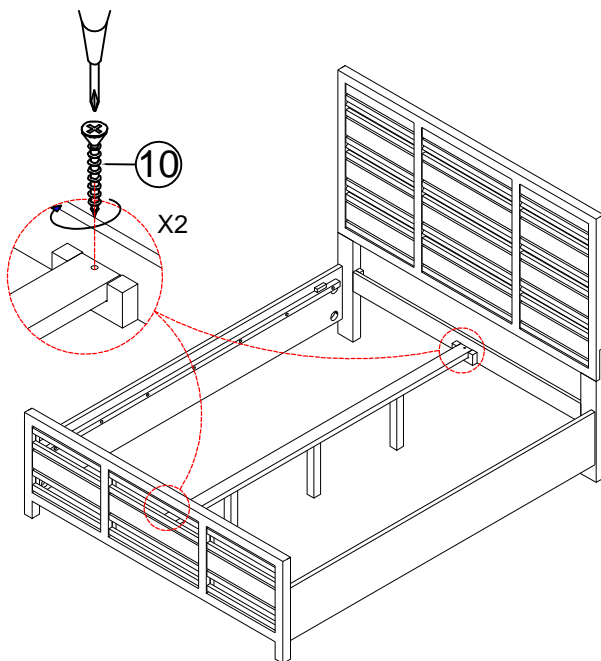
* IF USING BED FRAME WITH ADJUSTABLE MATTRESS BASE, SKIP TO APPENDIX A: ADJUSTABLE MATTRESS BASE ASSEMBLY SUPPLEMENT.

* IF USING BED FRAME WITH STANDARD BOX SPRING OR FOUNDATION CONTINUE TO STEP 4.

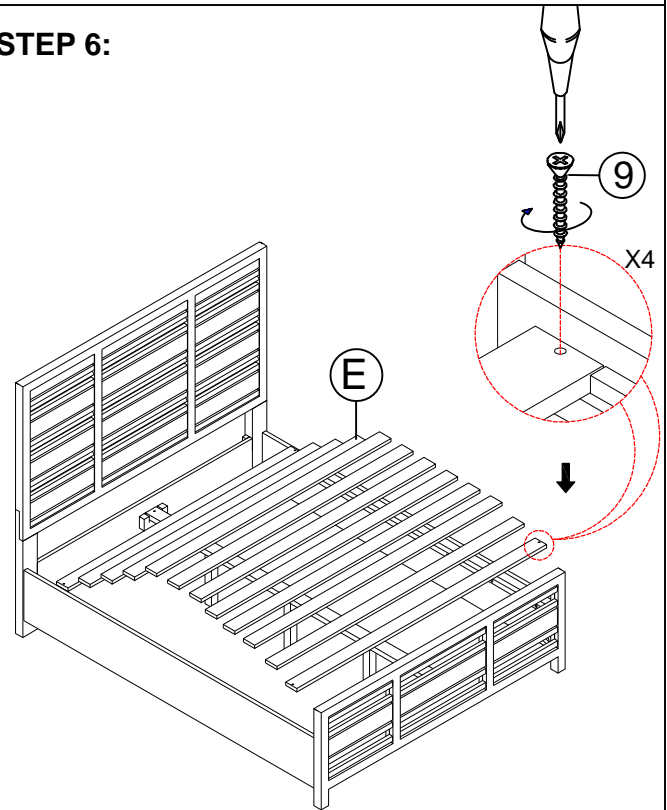
STEP 4:



STEP 5:



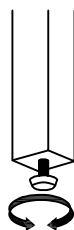
STEP 6:



INSTRUCTIONS FOR ADJUSTING LEVELER

POSITION THE BED IN YOUR SPACE AND LOCATE THE LEVELER UNDER EACH SUPPORT LEG. TURN THE LEVELER COUNTER-CLOCKWISE TO EXTEND THE LEVELER AND CLOCKWISE TO RETRACT IT.

ADJUST EACH LEVELER UNTIL EACH SUPPORT LEG IS APPLYING EQUAL, UPWARD PRESSURE ON THE SUPPORT SLAT.



MAINTENANCE INSTRUCTIONS:

REMOVE YOUR MATTRESS, AND BOX SPRING IF APPLICABLE, BEFORE MOVING YOUR BED.

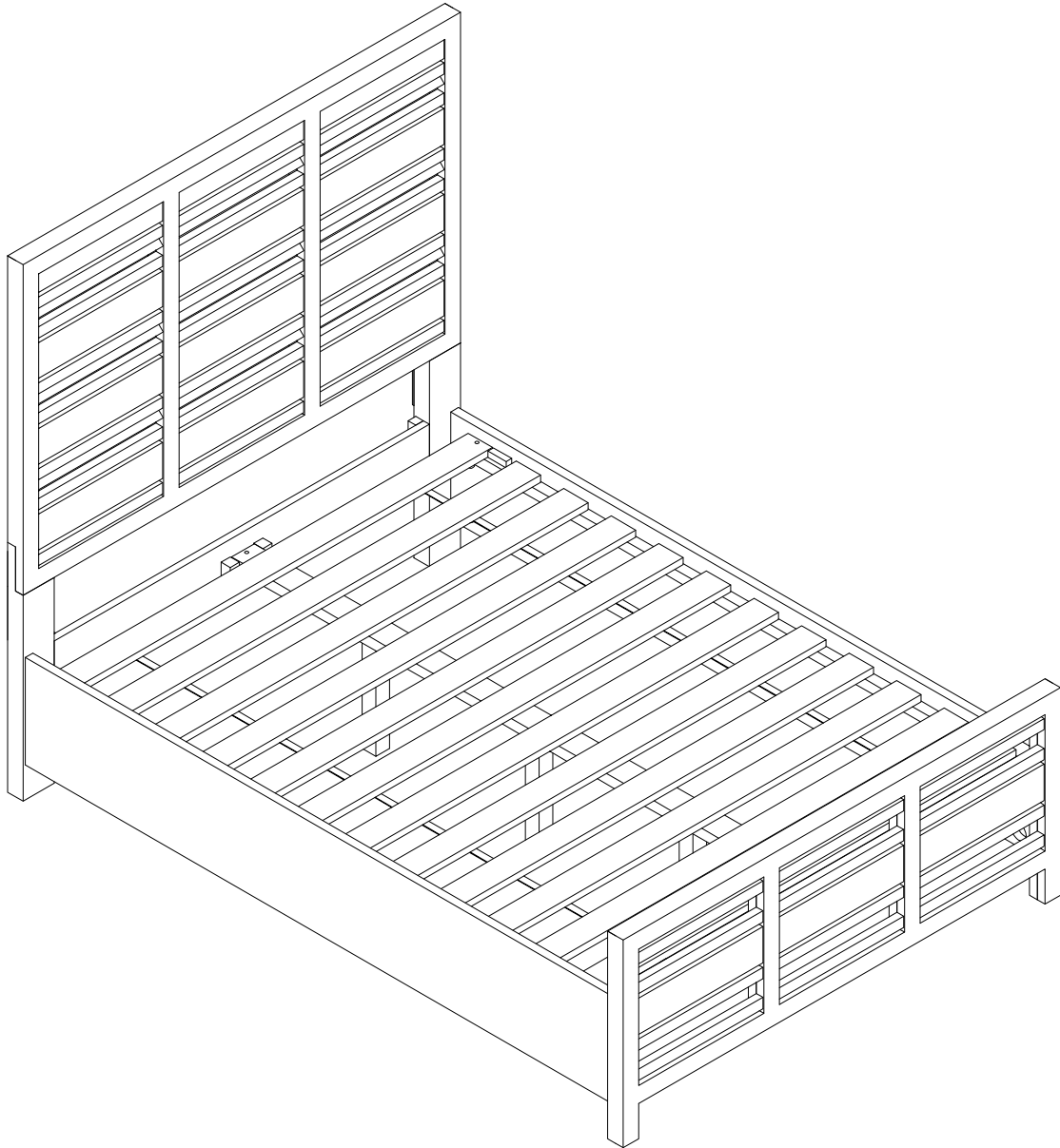
LIFT YOUR BED WHEN MOVING IT; DRAGGING CAN DAMAGE THE SUPPORTS.

RE-ADJUST THE LEVELERS AFTER MOVING YOUR BED.

RETREAT FULL BED ASSEMBLY INSTRUCTIONS



COMPLETED



RETREAT FULL BED ASSEMBLY INSTRUCTIONS



APPENDIX A: ADJUSTABLE MATTRESS BASE ASSEMBLY SUPPLEMENT.

AN ADJUSTABLE MATTRESS BASE IS A FREESTANDING MATTRESS SUPPORT THAT SITS WITHIN THE PERIMETER OF THE BED FRAME.

IF USING THE BED FRAME WITH A STANDARD BOX SPRING OR FOUNDATION THESE INSTRUCTIONS DO NOT APPLY.

PRE-ASSEMBLED SIDE RAIL CLEATS OBSTRUCT ADJUSTABLE BASE INSTALLATION AND OPERATION. FOLLOW THESE INSTRUCTIONS TO REMOVE THEM.

THE FOLLOWING PARTS ARE NOT REQUIRED FOR ADJUSTABLE MATTRESS BASE INSTALLATION:

E. SLAT ROLL 1 SET

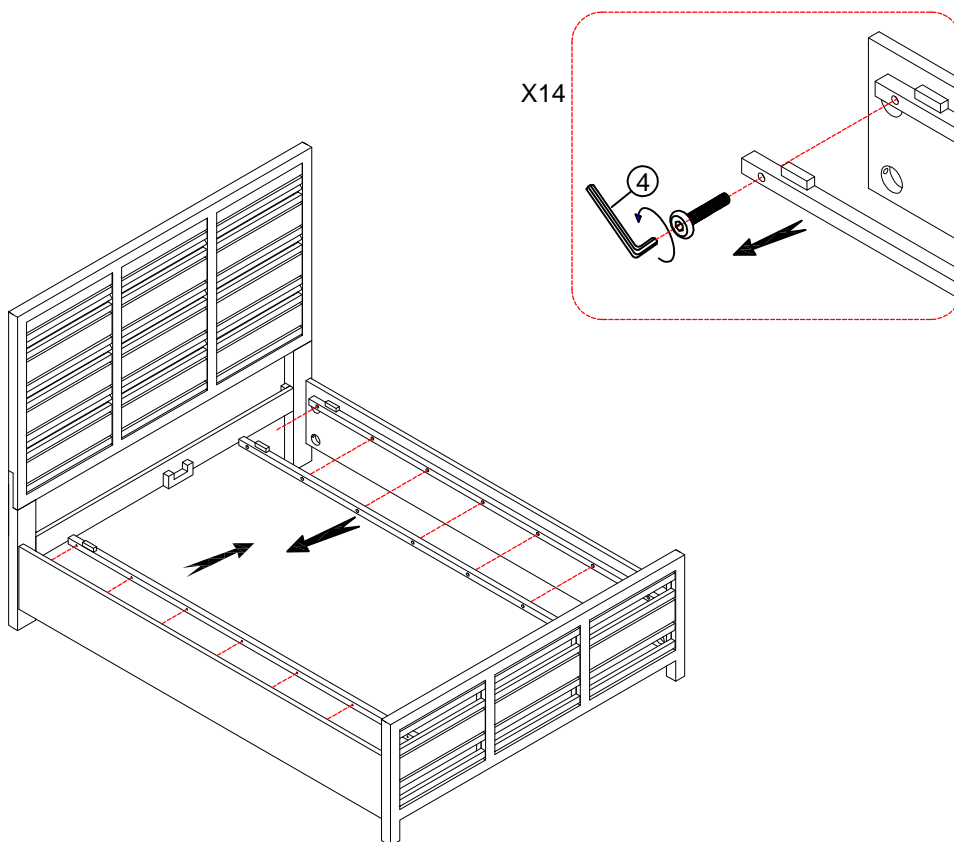
F. CENTER SLAT SUPPORT 3 PCS

11. WOOD SCREW (4x30mm) 6 PCS

* ALLEN BOLT (6x35mm) 14 PCS

STEP 1:

USE ALLEN KEY (4) TO UNSCREW ALLEN BOLTS AND REMOVE PRE-ASSEMBLED SIDE RAIL CLEATS



NOTE: YOU MAY WISH TO RETAIN UNUSED PARTS IF IN THE FUTURE YOU INTEND TO USE THE BED FRAME WITH A STANDARD BOX SPRING OR FOUNDATION.

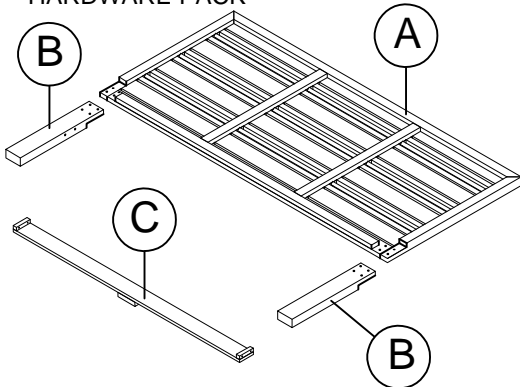
RETREAT QUEEN BED ASSEMBLY INSTRUCTIONS



PARTS PACKING CONFIGURATIONS

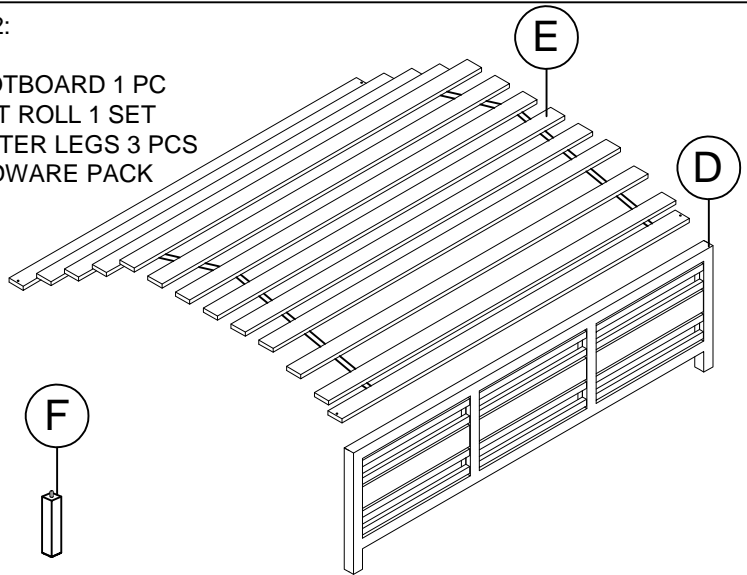
BOX #1:

- A. HEADBOARD 1 PC
- B. HEADBOARD LEG 1L/1R
- C. HEADBOARD STRETCHER 1PC
- * HARDWARE PACK



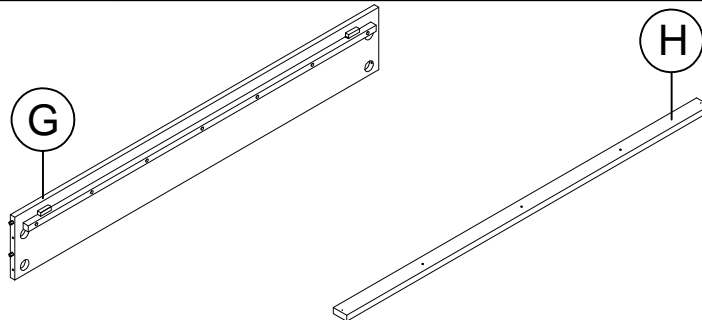
BOX #2:

- D. FOOTBOARD 1 PC
- E. SLAT ROLL 1 SET
- F. CENTER LEGS 3 PCS
- * HARDWARE PACK



BOX #3:

- G. SIDE RAIL 2 PCS
- H. CENTER SLAT SUPPORT 1 PC
- * HARDWARE PACK



HARDWARE PACKED IN BOX #1

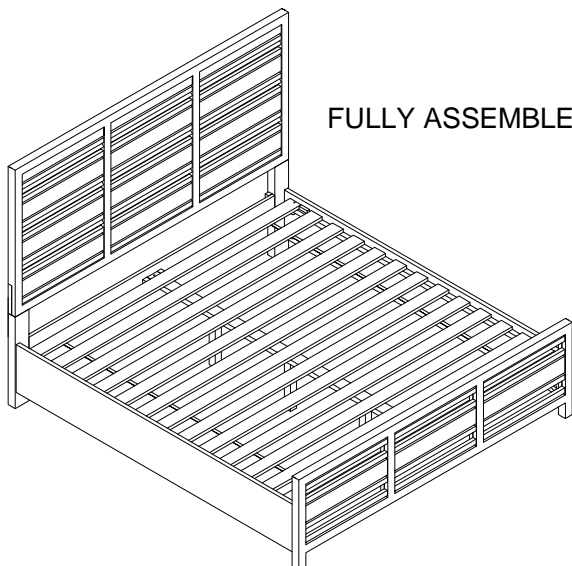
No	Description	Image	Quantity
1	ALLEN BOLT (8x40mm)		12 PCS
2	SPRING WASHER (Ø9x13mm)		12 PCS
3	FLAT WASHER (9x19mm)		12 PCS
4	ALLEN KEY		1 PC

HARDWARE PACKED IN BOX #2

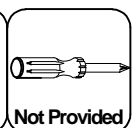
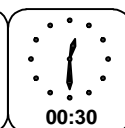
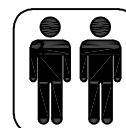
No	Description	Image	Quantity
5	HANGER BOLT (8x80mm)		8 PCS
6	HALF MOON WASHER (Ø9)		8 PCS
7	NUT (Ø9)		8 PCS
8	WRENCH (K13)		1 PC
9	WOOD SCREWS (4x30mm)		4 PCS

HARDWARE PACKED IN BOX #3

No	Description	Image	Quantity
10	WOOD SCREWS (4x30mm)		2 PCS



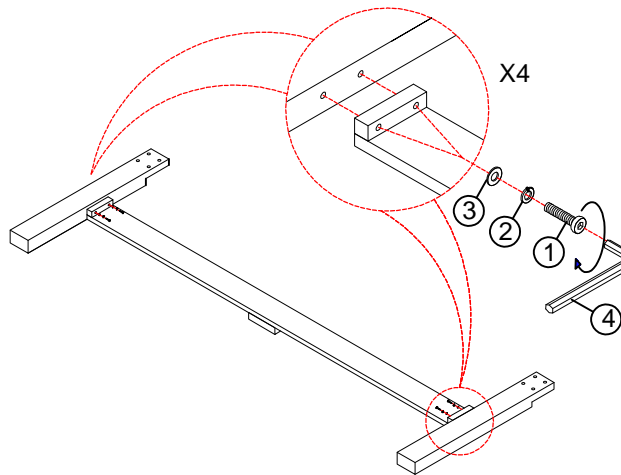
FULLY ASSEMBLED



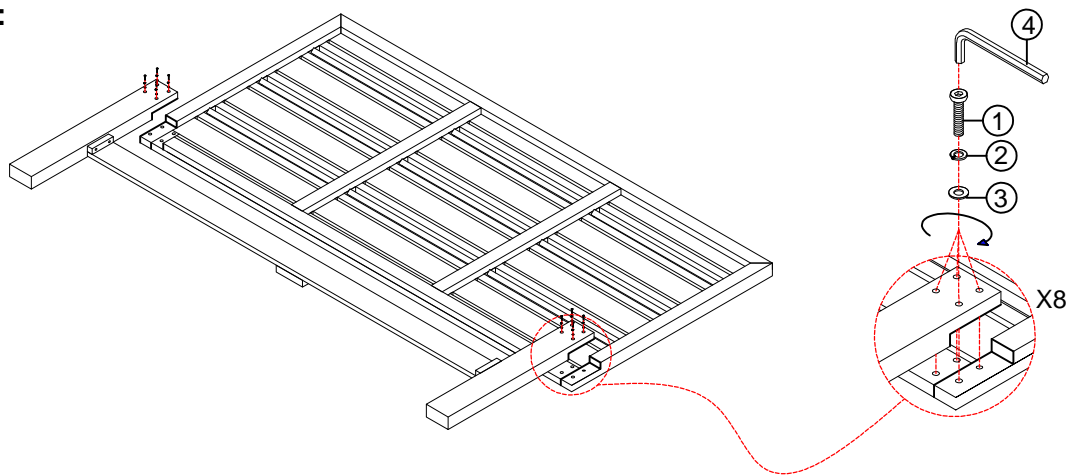
RETREAT QUEEN BED ASSEMBLY INSTRUCTIONS



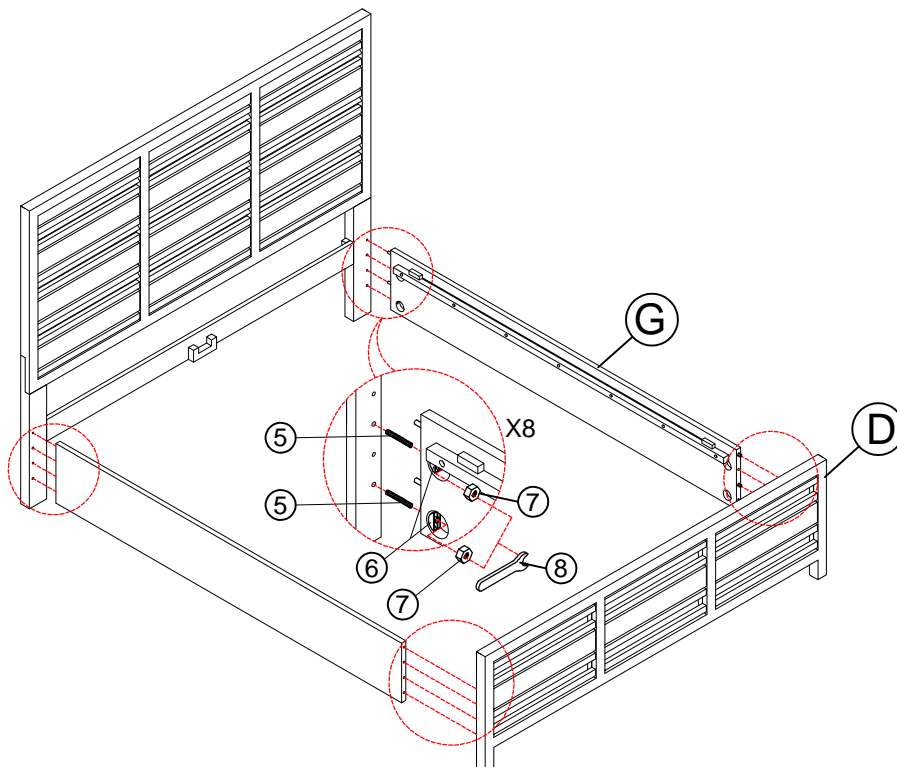
STEP 1:



STEP 2:



STEP 3:



RETREAT QUEEN BED ASSEMBLY INSTRUCTIONS

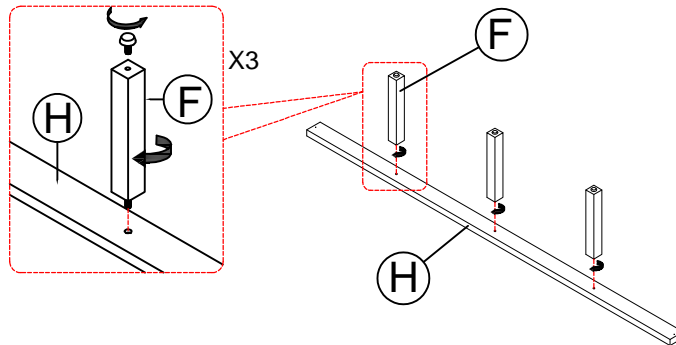


STOP

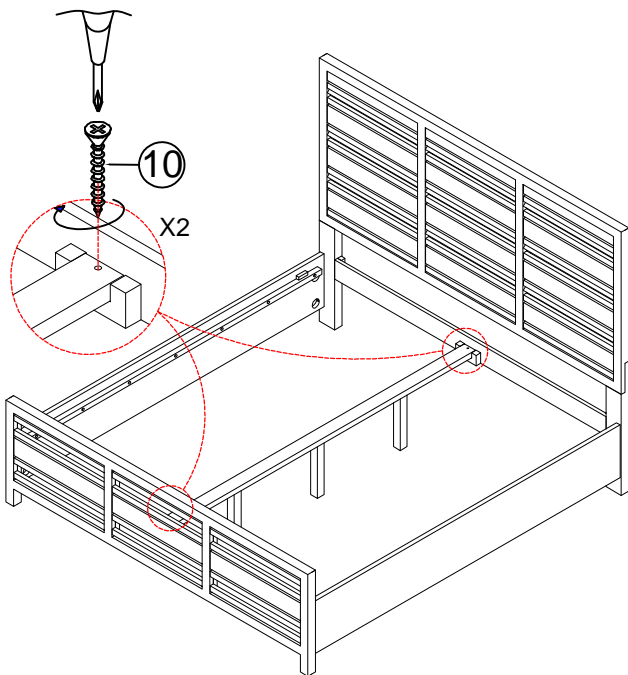
* IF USING BED FRAME WITH ADJUSTABLE MATTRESS BASE, SKIP TO APPENDIX A: ADJUSTABLE MATTRESS BASE ASSEMBLY SUPPLEMENT.

* IF USING BED FRAME WITH STANDARD BOX SPRING OR FOUNDATION CONTINUE TO STEP 4.

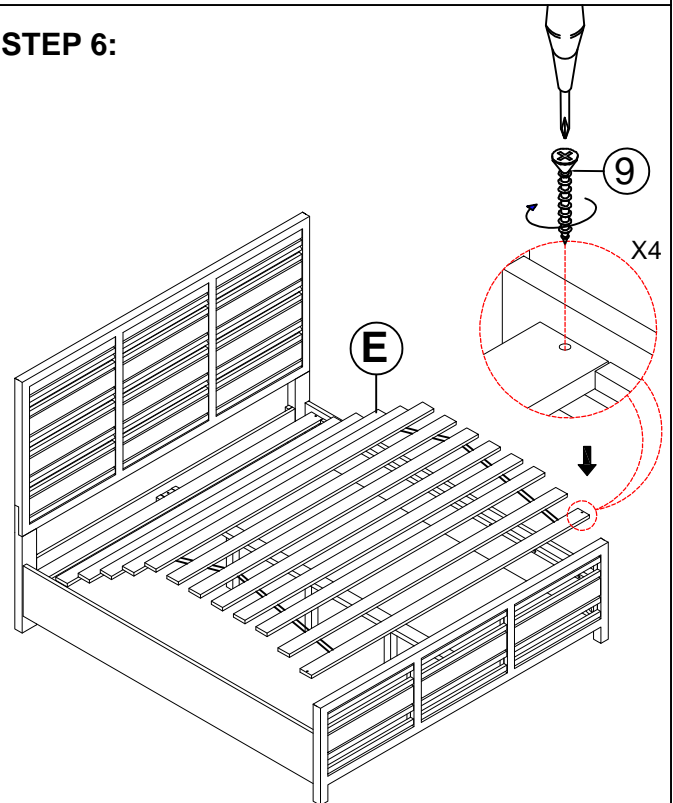
STEP 4:



STEP 5:



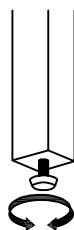
STEP 6:



INSTRUCTIONS FOR ADJUSTING LEVELER

POSITION THE BED IN YOUR SPACE AND LOCATE THE LEVELER UNDER EACH SUPPORT LEG. TURN THE LEVELER COUNTER-CLOCKWISE TO EXTEND THE LEVELER AND CLOCKWISE TO RETRACT IT.

ADJUST EACH LEVELER UNTIL EACH SUPPORT LEG IS APPLYING EQUAL, UPWARD PRESSURE ON THE SUPPORT SLAT.



MAINTENANCE INSTRUCTIONS:

REMOVE YOUR MATTRESS, AND BOX SPRING IF APPLICABLE, BEFORE MOVING YOUR BED.

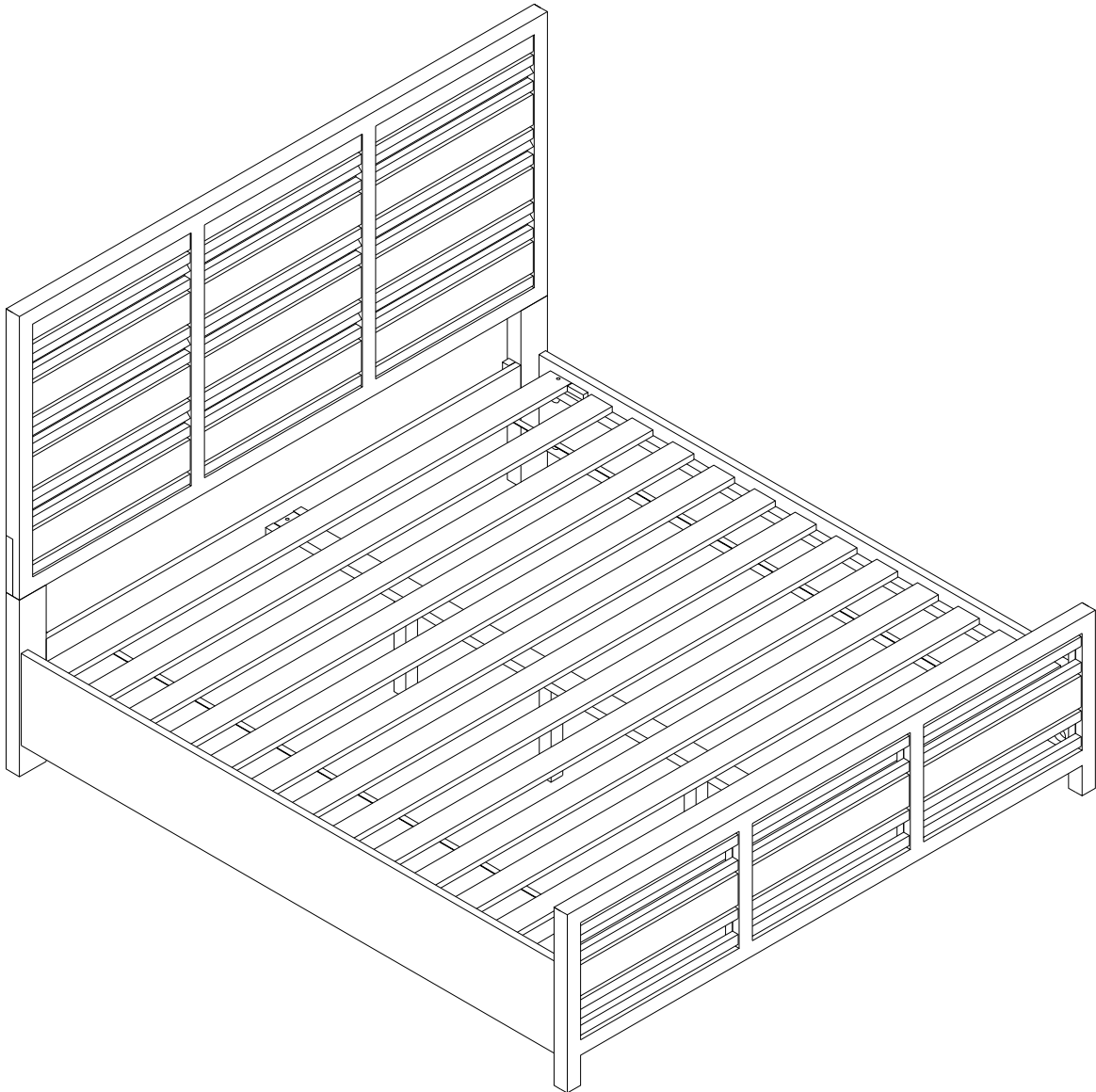
LIFT YOUR BED WHEN MOVING IT; DRAGGING CAN DAMAGE THE SUPPORTS.

RE-ADJUST THE LEVELERS AFTER MOVING YOUR BED.

RETREAT QUEEN BED ASSEMBLY INSTRUCTIONS



COMPLETED



RETREAT QUEEN BED ASSEMBLY INSTRUCTIONS



APPENDIX A: ADJUSTABLE MATTRESS BASE ASSEMBLY SUPPLEMENT.

AN ADJUSTABLE MATTRESS BASE IS A FREESTANDING MATTRESS SUPPORT THAT SITS WITHIN THE PERIMETER OF THE BED FRAME.

IF USING THE BED FRAME WITH A STANDARD BOX SPRING OR FOUNDATION THESE INSTRUCTIONS DO NOT APPLY.

PRE-ASSEMBLED SIDE RAIL CLEATS OBSTRUCT ADJUSTABLE BASE INSTALLATION AND OPERATION. FOLLOW THESE INSTRUCTIONS TO REMOVE THEM.

THE FOLLOWING PARTS ARE NOT REQUIRED FOR ADJUSTABLE MATTRESS BASE INSTALLATION:

E. SLAT ROLL 1 SET

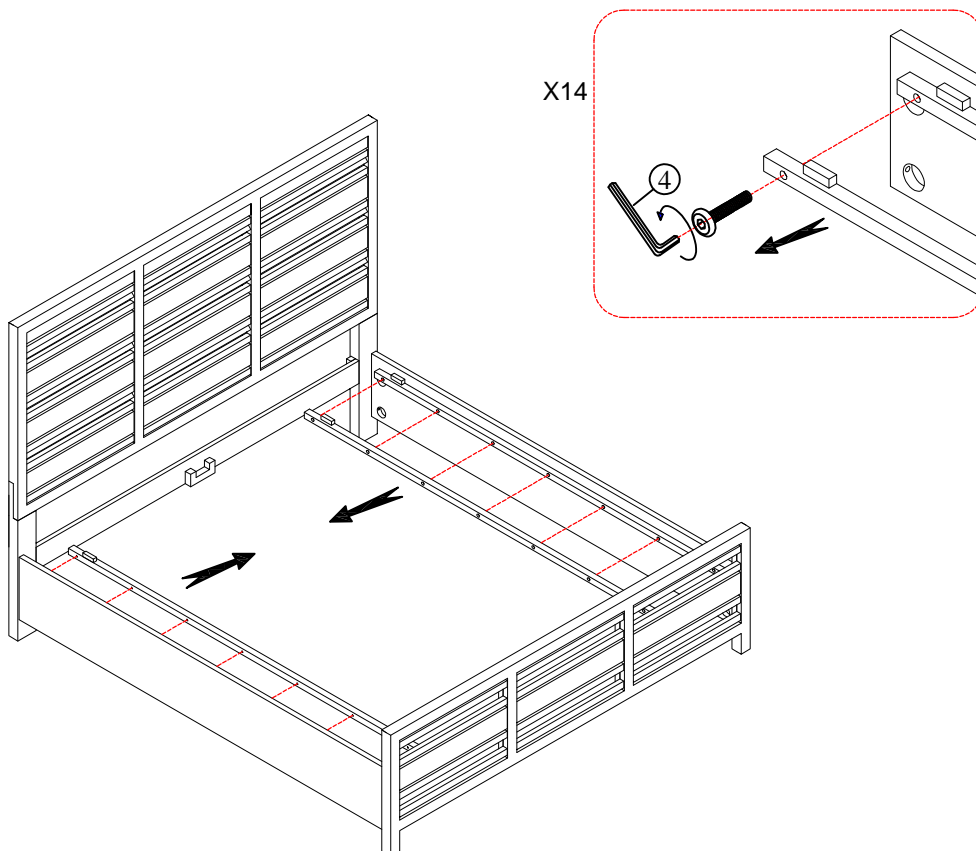
F. CENTER SLAT SUPPORT 3 PCS

11. WOOD SCREW (4x30mm) 6 PCS

* ALLEN BOLT (6x35mm) 14 PCS

STEP 1:

USE ALLEN KEY (4) TO UNSCREW ALLEN BOLTS AND REMOVE PRE-ASSEMBLED SIDE RAIL CLEATS



NOTE: YOU MAY WISH TO RETAIN UNUSED PARTS IF IN THE FUTURE YOU INTEND TO USE THE BED FRAME WITH A STANDARD BOX SPRING OR FOUNDATION.

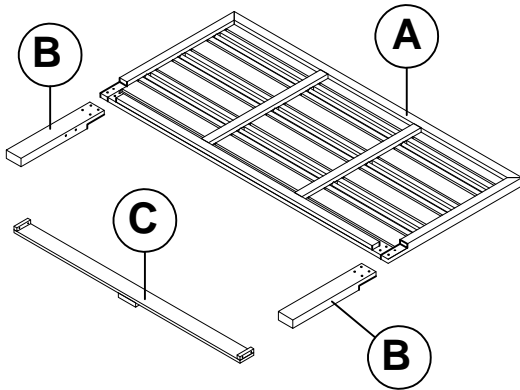
RETREAT CAL KING BED ASSEMBLY INSTRUCTIONS



PARTS PACKING CONFIGURATIONS

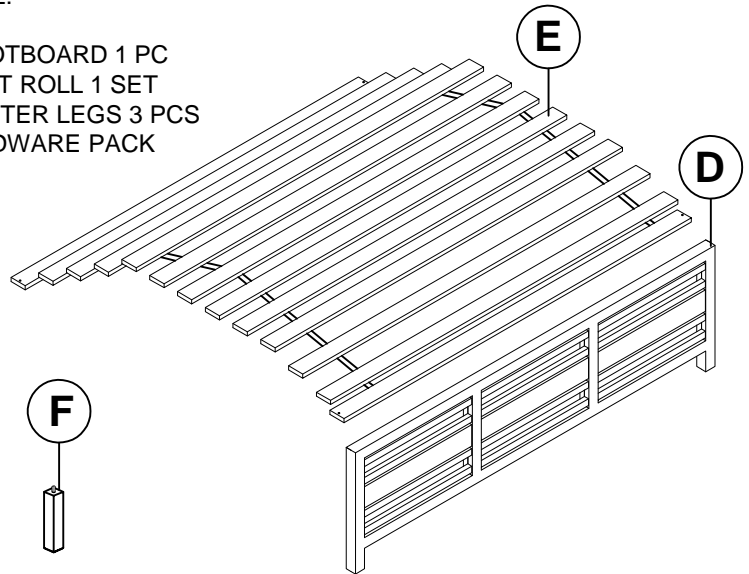
BOX #1:

- A. HEADBOARD 1 PC
- B. HEADBOARD LEG 1L/1R
- C. HEADBOARD STRETCHER 1PC
- * HARDWARE PACK



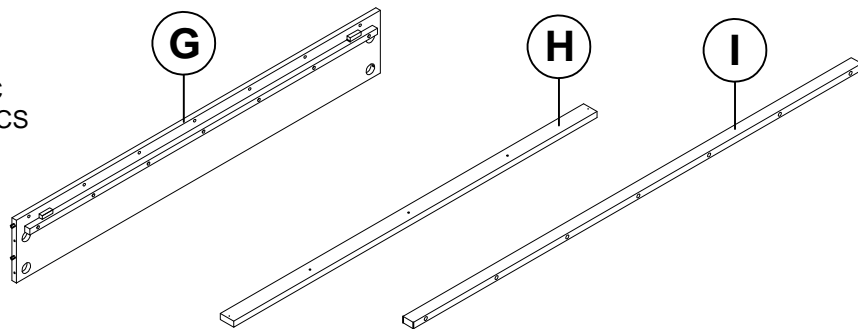
BOX #2:

- D. FOOTBOARD 1 PC
- E. SLAT ROLL 1 SET
- F. CENTER LEGS 3 PCS
- * HARDWARE PACK



BOX #3:

- G. CAL KING SIDE RAIL 2 PCS
- H. CENTER SLAT SUPPORT 1 PC
- I. SLAT SUPPORT SIDE RAIL 2PCS
- * HARDWARE PACK



HARDWARE PACKED IN BOX #1

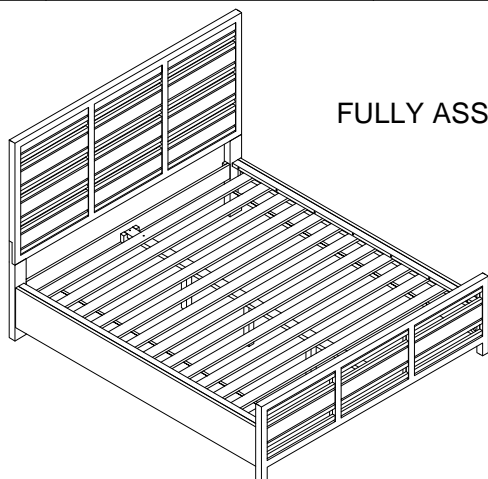
No	Description	Photo	Quantity
1	ALLEN BOLT (8x40mm)		12 PCS
2	SPRING WASHER (Ø9x13mm)		12 PCS
3	FLAT WASHER (9x19mm)		12 PCS
4	ALLEN KEY		1 PC

HARDWARE PACKED IN BOX #2

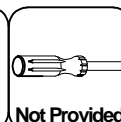
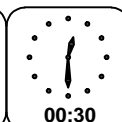
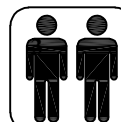
No	Description	Image	Quantity
5	HANGER BOLT (8x80mm)		8 PCS
6	HALF MOON WASHER (Ø9)		8 PCS
7	NUT (Ø9)		8 PCS
8	WRENCH (K13)		1 PC
9	WOOD SCREWS (4x30mm)		4 PCS

HARDWARE PACKED IN BOX #3

No	Description	Image	Quantity
10	WOOD SCREWS (4x30mm)		2 PCS
11	ALLEN BOLT (6x50mm)		14 PCS
12	SPRING WASHER (Ø6x13mm)		14 PCS
13	FLAT WASHER (6x16mm)		14 PCS



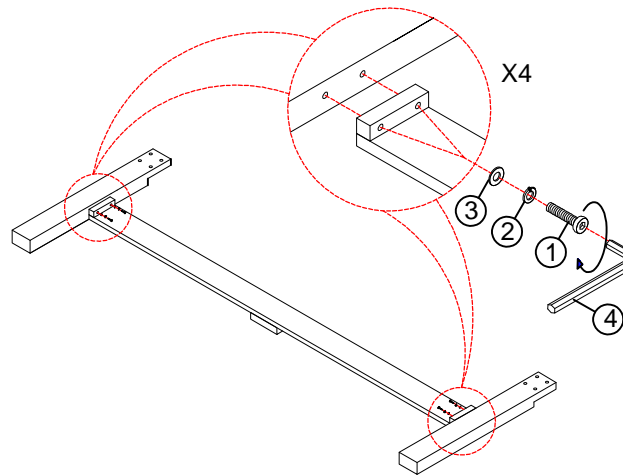
FULLY ASSEMBLED



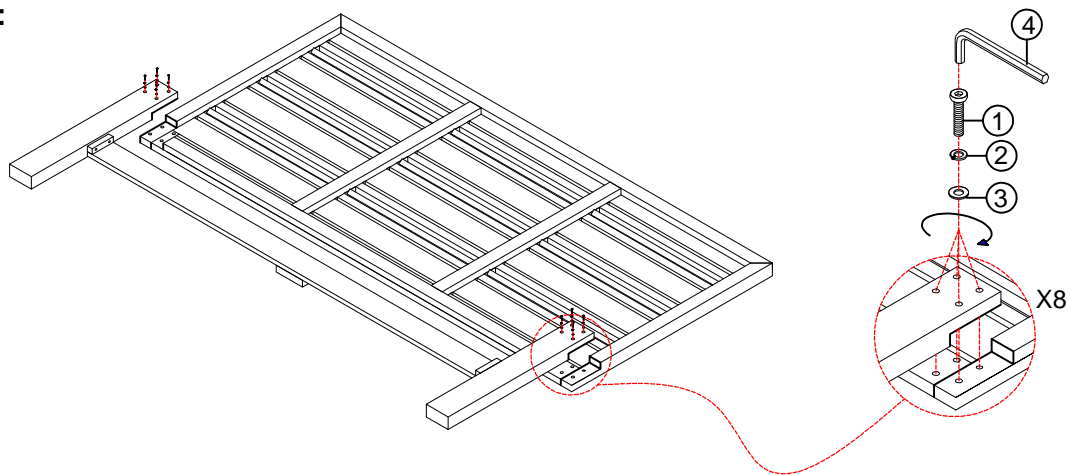
RETREAT CAL KING BED ASSEMBLY INSTRUCTIONS



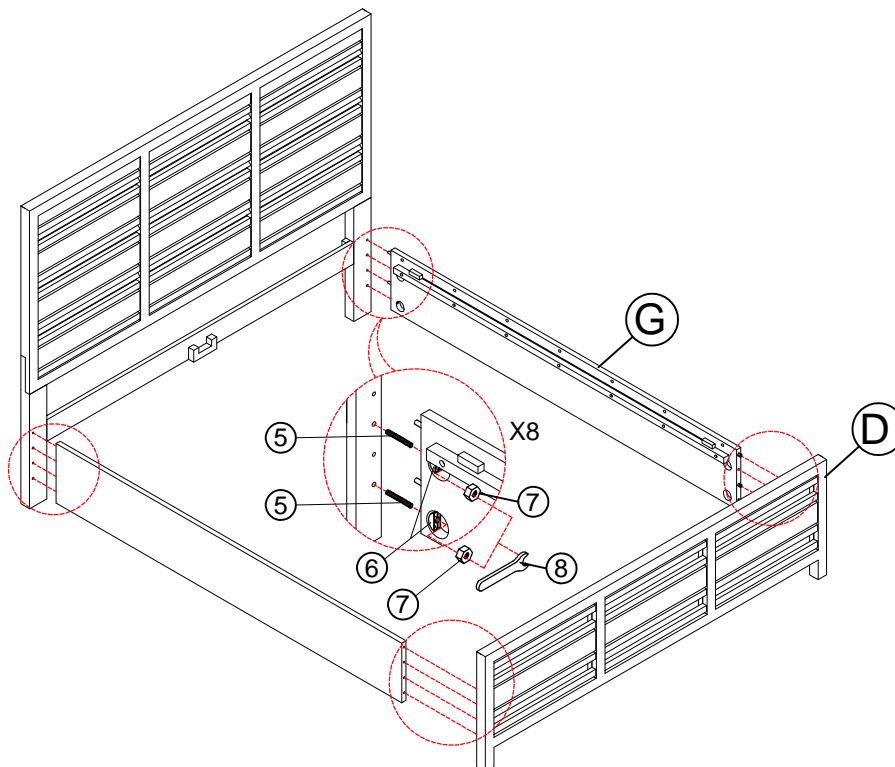
STEP 1:



STEP 2:



STEP 3:



RETREAT CAL KING BED ASSEMBLY INSTRUCTIONS

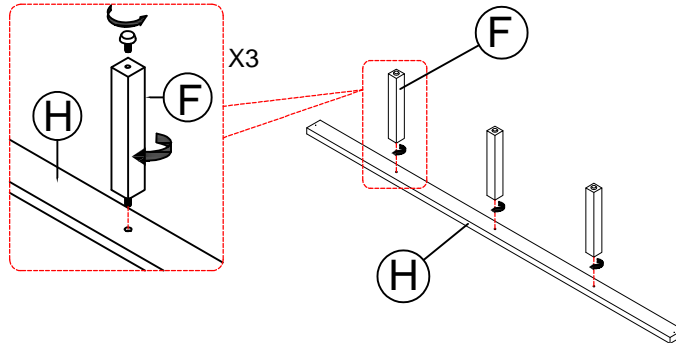


STOP

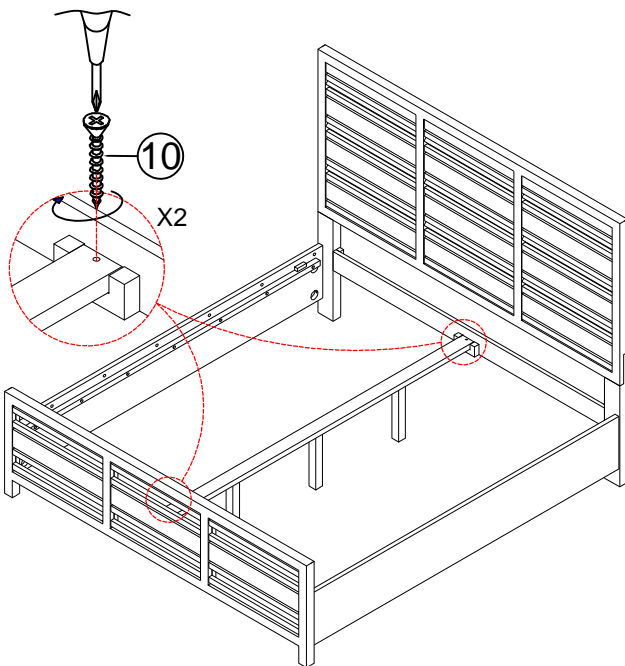
* IF USING BED FRAME WITH ADJUSTABLE MATTRESS BASE, SKIP TO APPENDIX A: ADJUSTABLE MATTRESS BASE ASSEMBLY SUPPLEMENT.

* IF USING BED FRAME WITH STANDARD BOX SPRING OR FOUNDATION CONTINUE TO STEP 4.

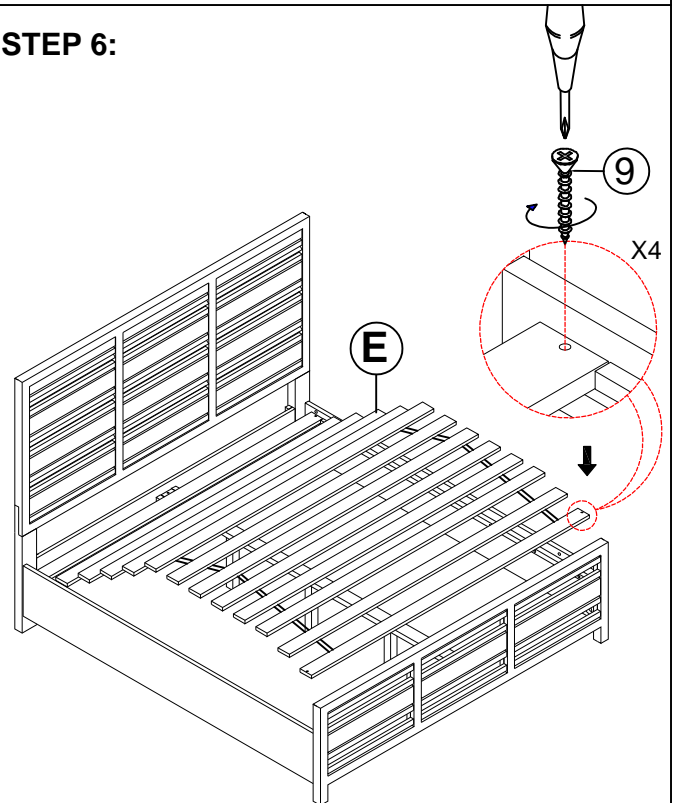
STEP 4:



STEP 5:



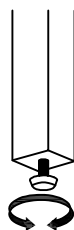
STEP 6:



INSTRUCTIONS FOR ADJUSTING LEVELER

POSITION THE BED IN YOUR SPACE AND LOCATE THE LEVELER UNDER EACH SUPPORT LEG. TURN THE LEVELER COUNTER-CLOCKWISE TO EXTEND THE LEVELER AND CLOCKWISE TO RETRACT IT.

ADJUST EACH LEVELER UNTIL EACH SUPPORT LEG IS APPLYING EQUAL, UPWARD PRESSURE ON THE SUPPORT SLAT.



MAINTENANCE INSTRUCTIONS:

REMOVE YOUR MATTRESS, AND BOX SPRING IF APPLICABLE, BEFORE MOVING YOUR BED.

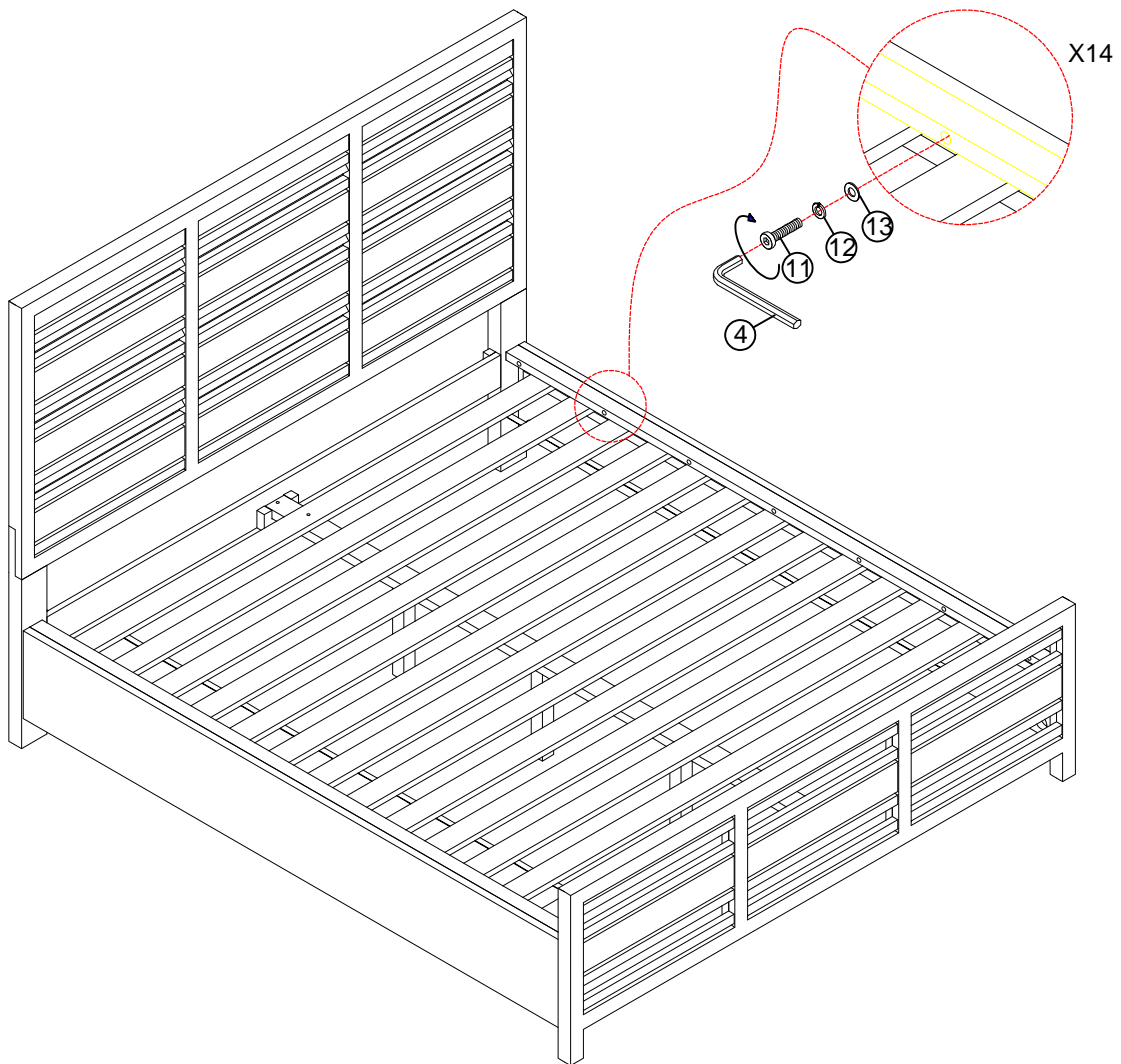
LIFT YOUR BED WHEN MOVING IT; DRAGGING CAN DAMAGE THE SUPPORTS.

RE-ADJUST THE LEVELERS AFTER MOVING YOUR BED.

RETREAT CAL KING BED ASSEMBLY INSTRUCTIONS



STEP 7:



RETREAT CAL KING BED ASSEMBLY INSTRUCTIONS



APPENDIX A: ADJUSTABLE MATTRESS BASE ASSEMBLY SUPPLEMENT.

AN ADJUSTABLE MATTRESS BASE IS A FREESTANDING MATTRESS SUPPORT THAT SITS WITHIN THE PERIMETER OF THE BED FRAME.

IF USING THE BED FRAME WITH A STANDARD BOX SPRING OR FOUNDATION THESE INSTRUCTIONS DO NOT APPLY.

PRE-ASSEMBLED SIDE RAIL CLEATS OBSTRUCT ADJUSTABLE BASE INSTALLATION AND OPERATION. FOLLOW THESE INSTRUCTIONS TO REMOVE THEM.

THE FOLLOWING PARTS ARE NOT REQUIRED FOR ADJUSTABLE MATTRESS BASE INSTALLATION:

E. SLAT ROLL 1 SET

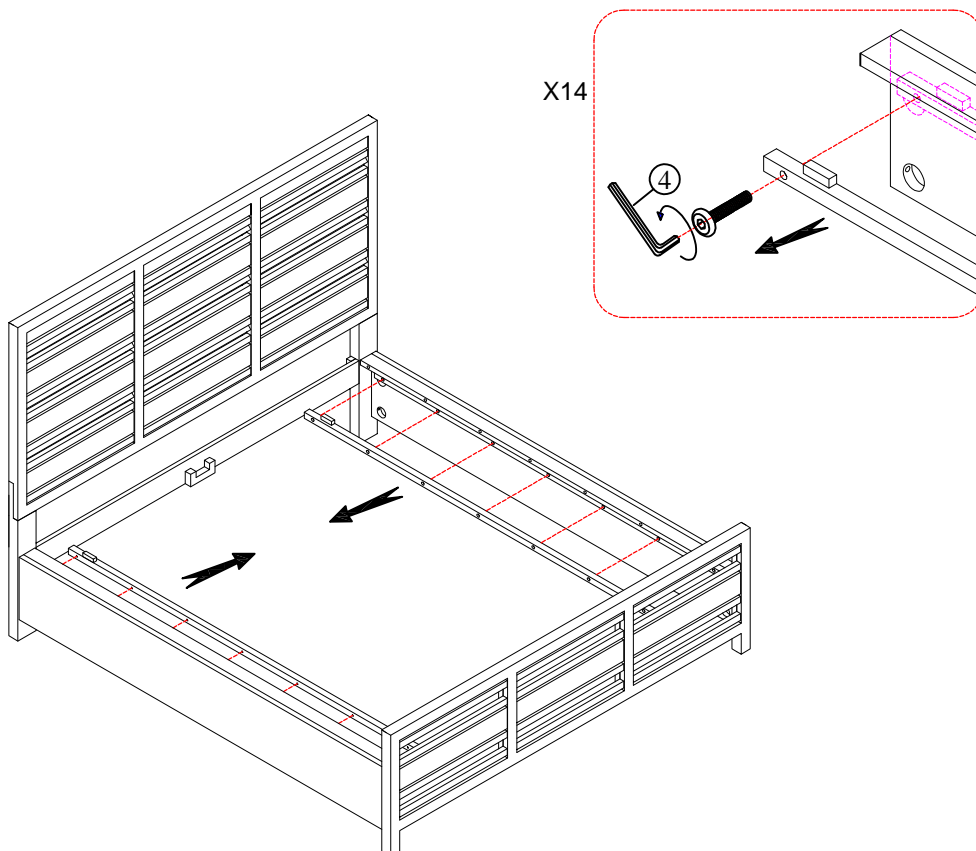
F. CENTER SLAT SUPPORT 3 PCS

11. WOOD SCREW (4x30mm) 6 PCS

* ALLEN BOLT (6x35mm) 14 PCS

STEP 1:

USE ALLEN KEY (4) TO UNSCREW ALLEN BOLTS AND REMOVE PRE-ASSEMBLED SIDE RAIL CLEATS



NOTE: YOU MAY WISH TO RETAIN UNUSED PARTS IF IN THE FUTURE YOU INTEND TO USE THE BED FRAME WITH A STANDARD BOX SPRING OR FOUNDATION.

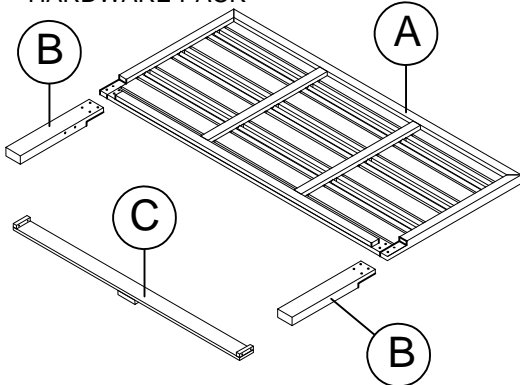
RETREAT KING BED ASSEMBLY INSTRUCTIONS



PARTS PACKING CONFIGURATIONS

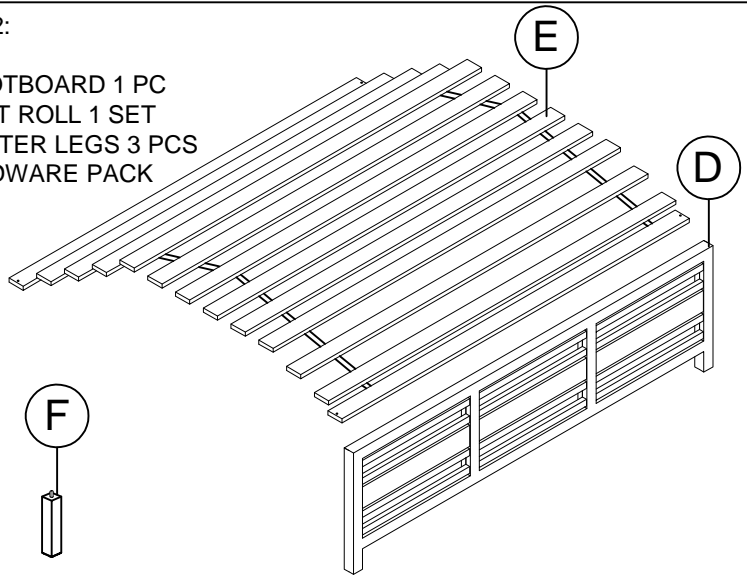
BOX #1:

- A. HEADBOARD 1 PC
- B. HEADBOARD LEG 1L/1R
- C. HEADBOARD STRETCHER 1PC
- * HARDWARE PACK



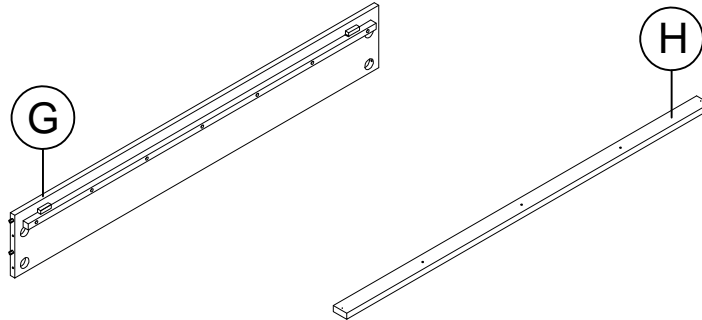
BOX #2:

- D. FOOTBOARD 1 PC
- E. SLAT ROLL 1 SET
- F. CENTER LEGS 3 PCS
- * HARDWARE PACK



BOX #3:

- G. SIDE RAIL 2 PCS
- H. CENTER SLAT SUPPORT 1 PC
- * HARDWARE PACK



HARDWARE PACKED IN BOX #1

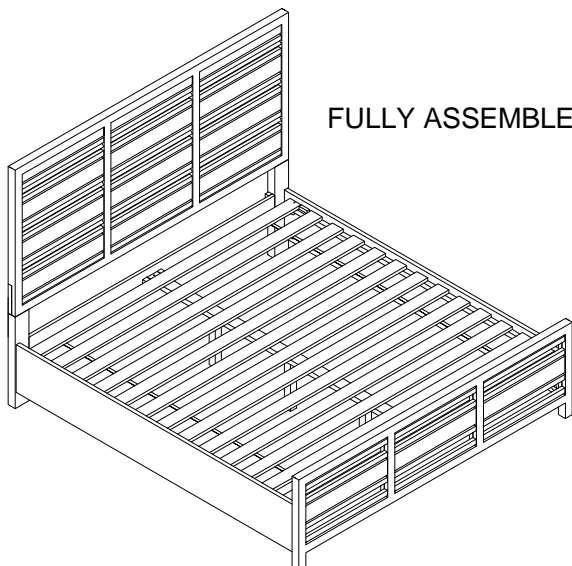
No	Description	Image	Quantity
1	ALLEN BOLT (8x40mm)		12 PCS
2	SPRING WASHER (Ø9x13mm)		12 PCS
3	FLAT WASHER (9x19mm)		12 PCS
4	ALLEN KEY		1 PC

HARDWARE PACKED IN BOX #2

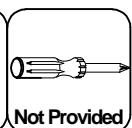
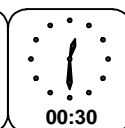
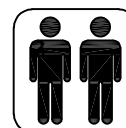
No	Description	Image	Quantity
5	HANGER BOLT (8x80mm)		8 PCS
6	HALF MOON WASHER (Ø9)		8 PCS
7	NUT (Ø9)		8 PCS
8	WRENCH (K13)		1 PC
9	WOOD SCREWS (4x30mm)		4 PCS

HARDWARE PACKED IN BOX #3

No	Description	Image	Quantity
10	WOOD SCREWS (4x30mm)		2 PCS



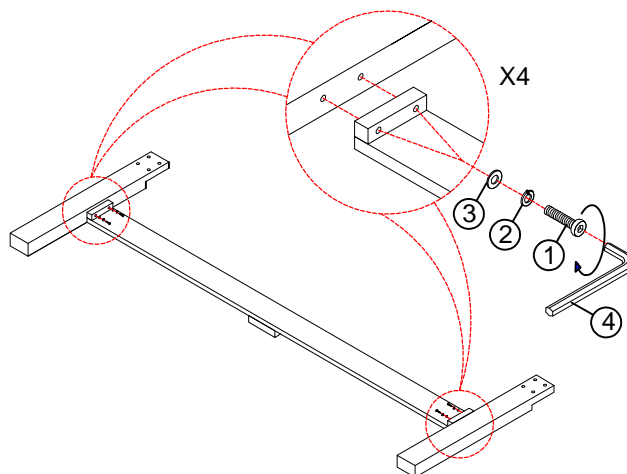
FULLY ASSEMBLED



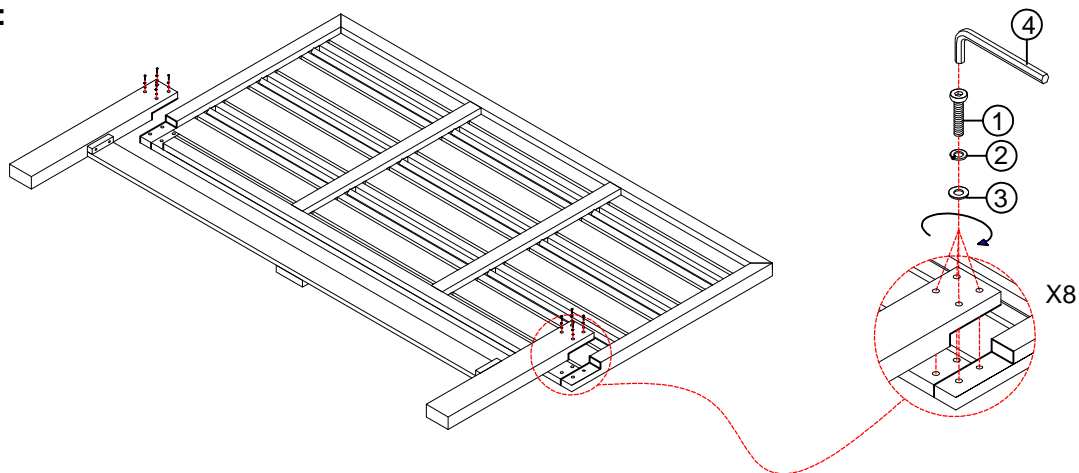
RETREAT KING BED ASSEMBLY INSTRUCTIONS



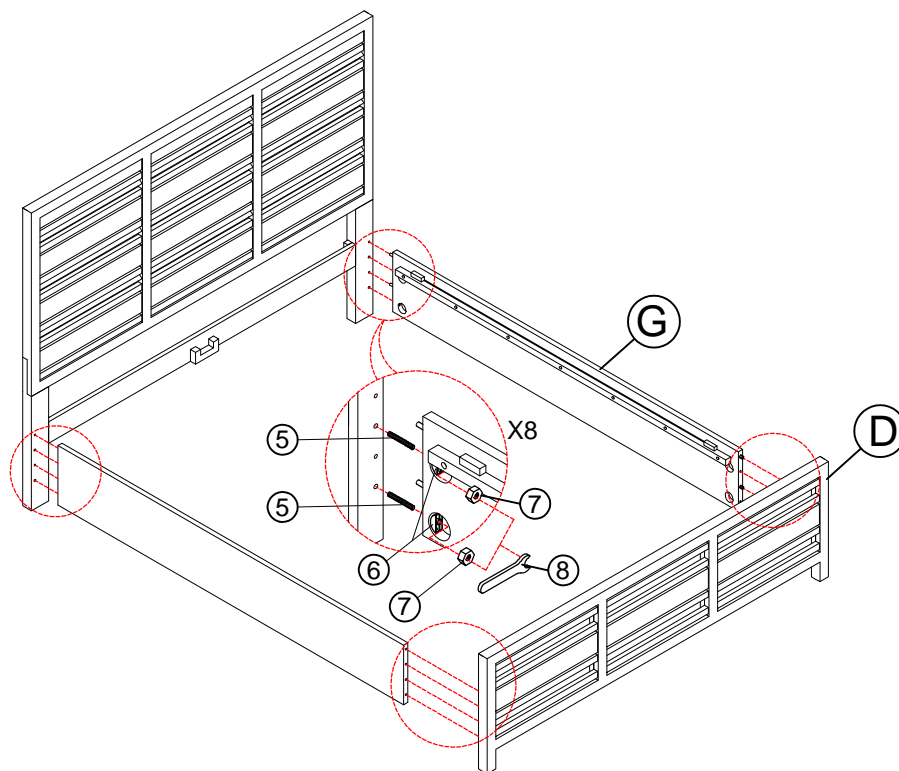
STEP 1:



STEP 2:



STEP 3:



RETREAT KING BED ASSEMBLY INSTRUCTIONS

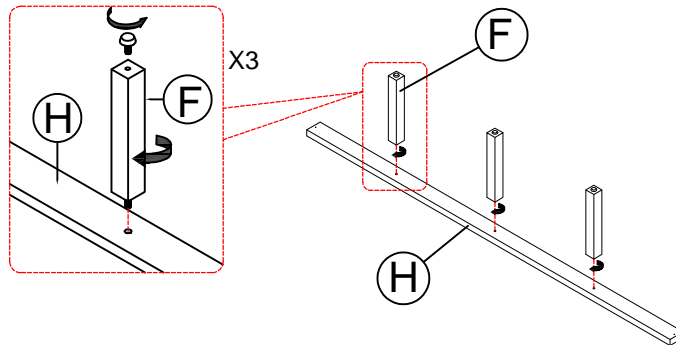


STOP

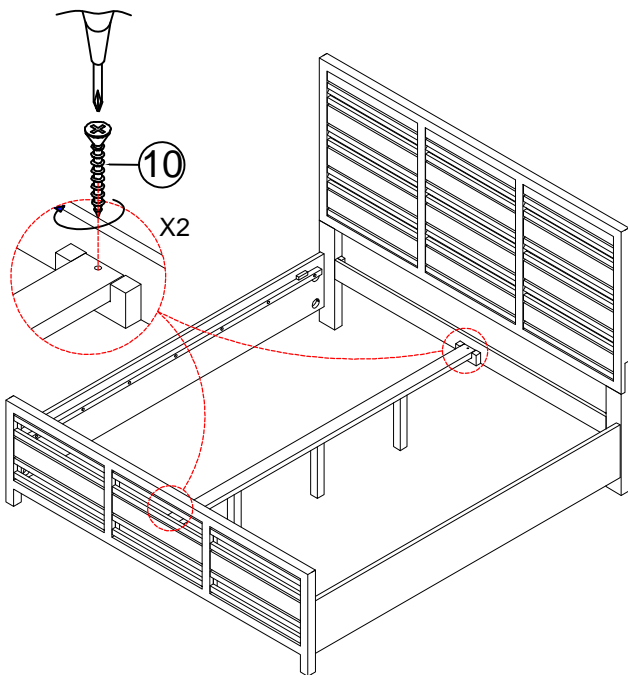
* IF USING BED FRAME WITH ADJUSTABLE MATTRESS BASE, SKIP TO APPENDIX A: ADJUSTABLE MATTRESS BASE ASSEMBLY SUPPLEMENT.

* IF USING BED FRAME WITH STANDARD BOX SPRING OR FOUNDATION CONTINUE TO STEP 4.

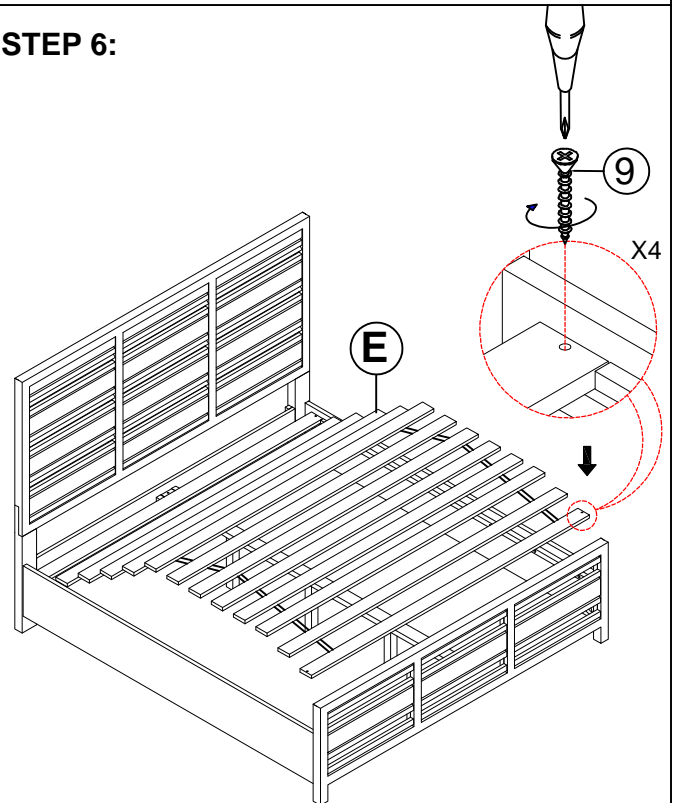
STEP 4:



STEP 5:



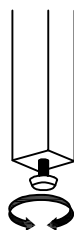
STEP 6:



INSTRUCTIONS FOR ADJUSTING LEVELER

POSITION THE BED IN YOUR SPACE AND LOCATE THE LEVELER UNDER EACH SUPPORT LEG. TURN THE LEVELER COUNTER-CLOCKWISE TO EXTEND THE LEVELER AND CLOCKWISE TO RETRACT IT.

ADJUST EACH LEVELER UNTIL EACH SUPPORT LEG IS APPLYING EQUAL, UPWARD PRESSURE ON THE SUPPORT SLAT.



MAINTENANCE INSTRUCTIONS:

REMOVE YOUR MATTRESS, AND BOX SPRING IF APPLICABLE, BEFORE MOVING YOUR BED.

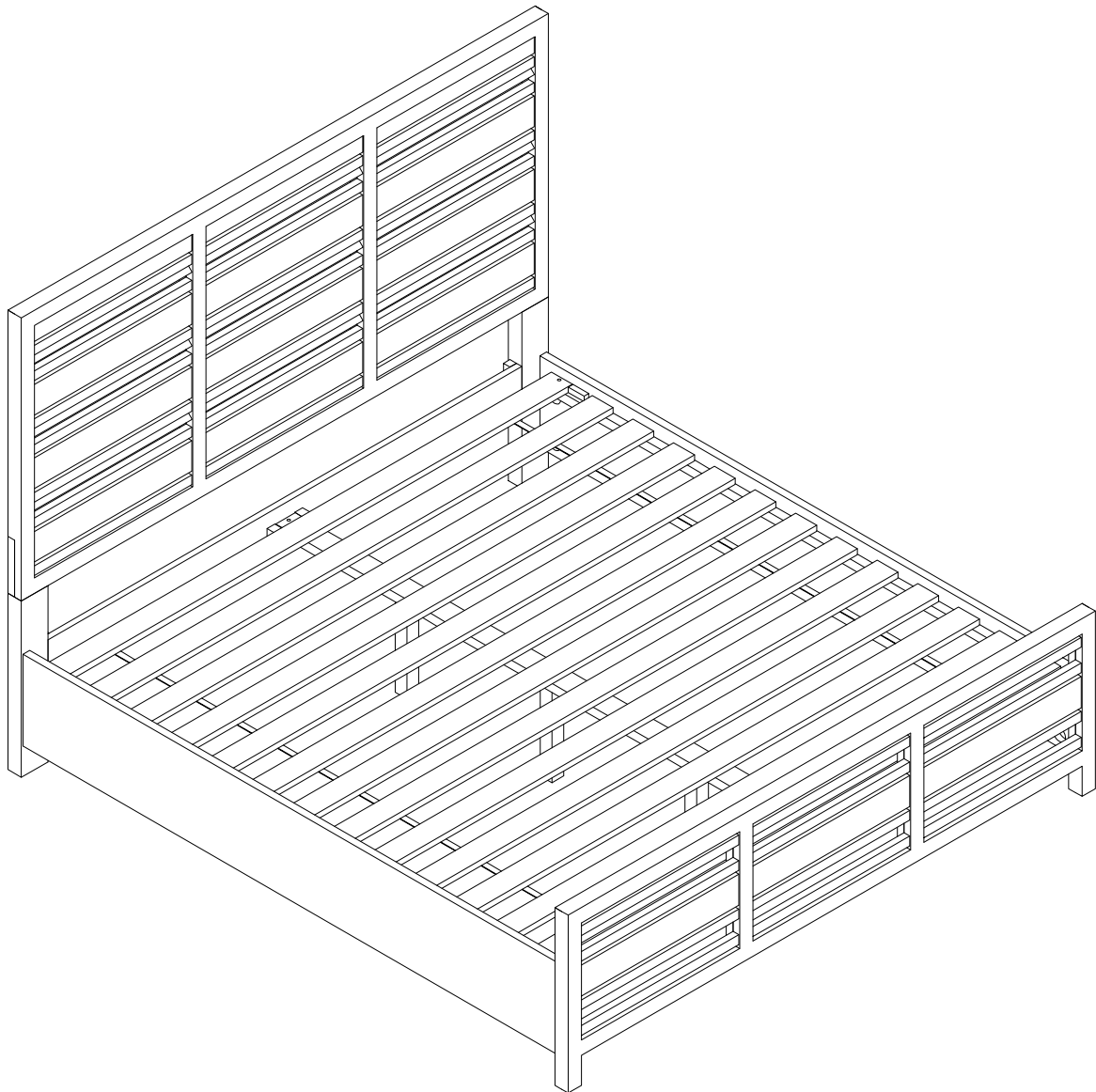
LIFT YOUR BED WHEN MOVING IT; DRAGGING CAN DAMAGE THE SUPPORTS.

RE-ADJUST THE LEVELERS AFTER MOVING YOUR BED.

RETREAT KING BED ASSEMBLY INSTRUCTIONS



COMPLETED



RETREAT KING BED ASSEMBLY INSTRUCTIONS



APPENDIX A: ADJUSTABLE MATTRESS BASE ASSEMBLY SUPPLEMENT.

AN ADJUSTABLE MATTRESS BASE IS A FREESTANDING MATTRESS SUPPORT THAT SITS WITHIN THE PERIMETER OF THE BED FRAME.

IF USING THE BED FRAME WITH A STANDARD BOX SPRING OR FOUNDATION THESE INSTRUCTIONS DO NOT APPLY.

PRE-ASSEMBLED SIDE RAIL CLEATS OBSTRUCT ADJUSTABLE BASE INSTALLATION AND OPERATION. FOLLOW THESE INSTRUCTIONS TO REMOVE THEM.

THE FOLLOWING PARTS ARE NOT REQUIRED FOR ADJUSTABLE MATTRESS BASE INSTALLATION:

E. SLAT ROLL 1 SET

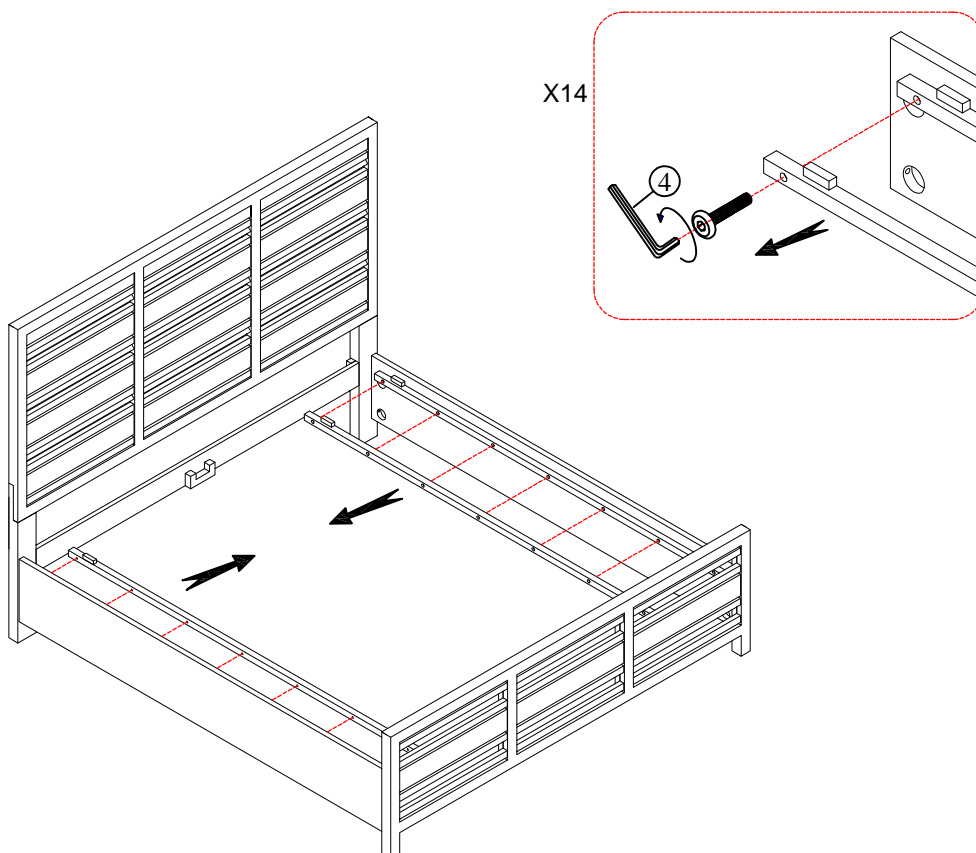
F. CENTER SLAT SUPPORT 3 PCS

11. WOOD SCREW (4x30mm) 6 PCS

* ALLEN BOLT (6x35mm) 14 PCS

STEP 1:

USE ALLEN KEY (4) TO UNSCREW ALLEN BOLTS AND REMOVE PRE-ASSEMBLED SIDE RAIL CLEATS



NOTE: YOU MAY WISH TO RETAIN UNUSED PARTS IF IN THE FUTURE YOU INTEND TO USE THE BED FRAME WITH A STANDARD BOX SPRING OR FOUNDATION.