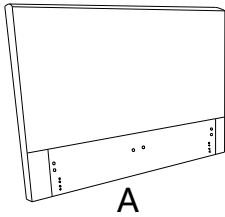


OLIVIA FULL/QUEEN BED ASSEMBLY INSTRUCTIONS



BOX#1

- A. HEADBOARD 1 PC
- B. HEADBOARD LEG 2 PCS



A



B

HARDWARE PACKED IN BOX#2

1	ALLEN BOLT(5/16"x1")		4 PCS
2	ALLEN BOLT(5/16"x2-1/2")		4 PCS
3	FLAT WASHER(5/16")		12 PCS
4	LOCK WASHER(5/16")		8 PCS
5	WASHER(2")		4 PCS
6	WRENCH(5/16")		1 PC
7	ALLEN KEY(5/16")		1 PC
8	HEX NUT(5/16"x12)		4 PCS

BOX#2

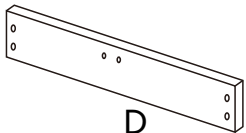
- B. FOOTBOARD LEG 2 PCS
 - C. SIDE RAIL 2 PCS
 - D. FOOTBOARD 1 PC
 - E. SLAT 26 PCS
 - F. CENTER SLAT SUPPORT 1 PC
 - G. SIDE RAIL SLAT CLIP 26 PCS
 - H. CENTER SUPPORT SLAT CLIP 13 PCS
 - I. SLAT SUPPORT LEG 2 PCS
- HARDWARE SET



B



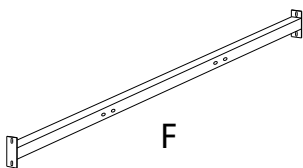
C



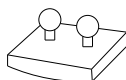
D



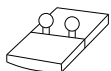
E



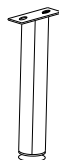
F



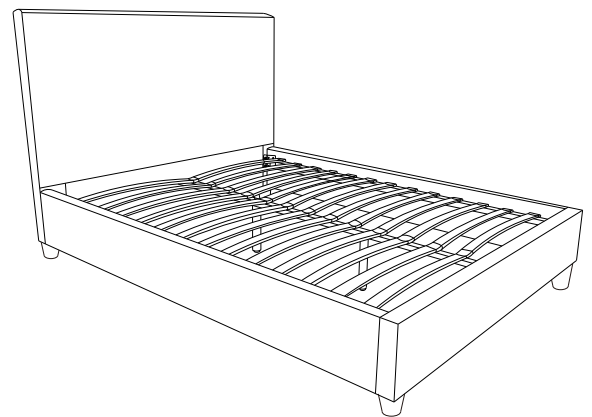
G



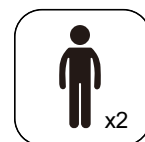
H



I



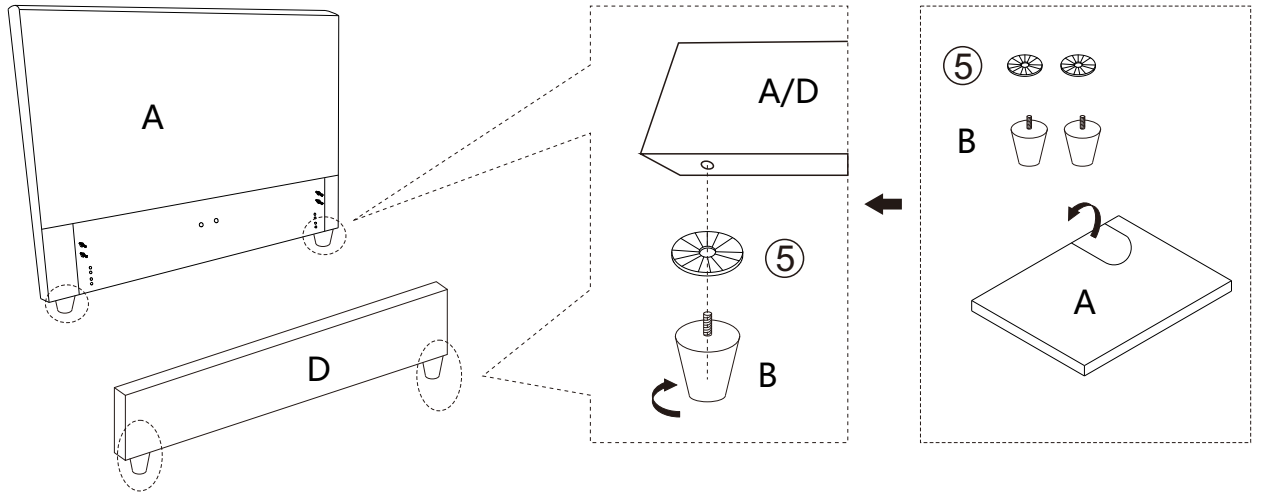
UPDATED: MAY 5TH, 2021



OLIVIA FULL/QUEEN BED ASSEMBLY INSTRUCTIONS

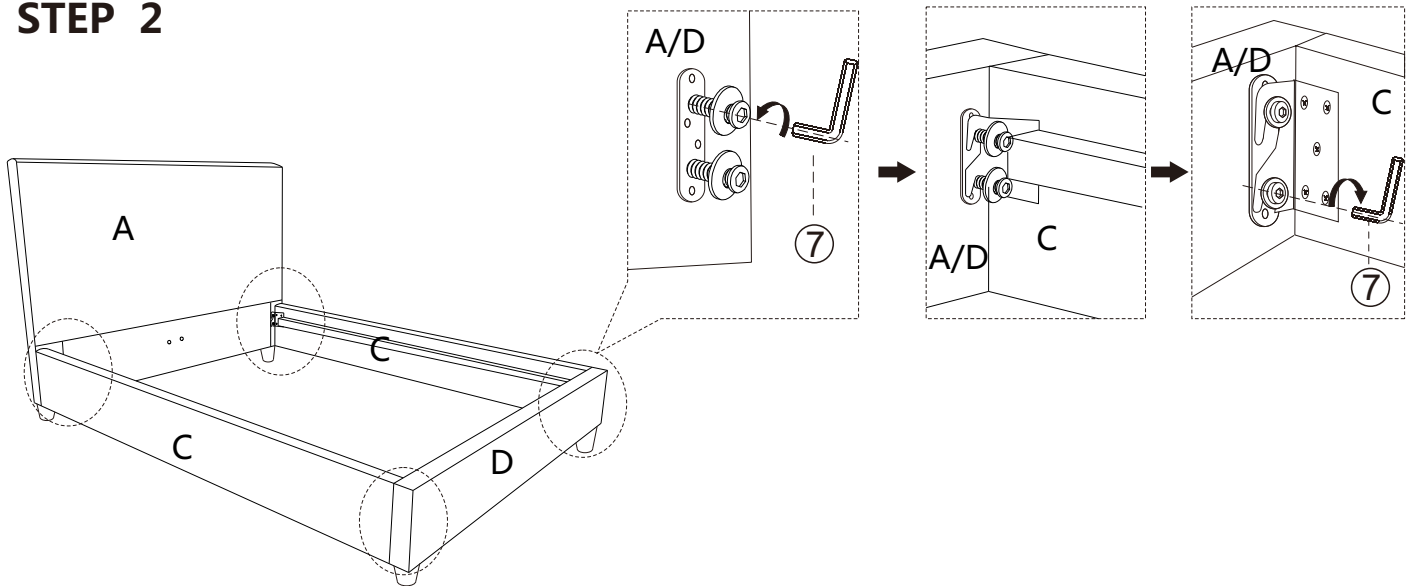


STEP 1



NOTE: USE FOOTBOARD LEG (B) PACKED IN BOX #2 FOR ASSEMBLY TO FOOTBOARD (D).

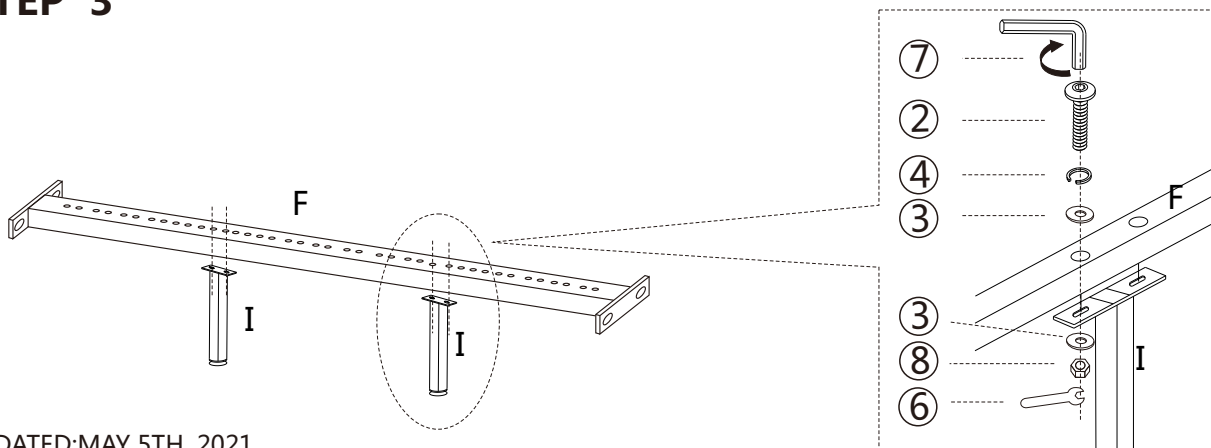
STEP 2



STOP

- IF USING BED WITH AN ADJUSTABLE MATTRESS BASE, SKIP STEPS 3, 4, 5, & 6 AND REFERENCE APPENDIX A: ADJUSTABLE MATTRESS BASE ASSEMBLY SUPPLEMENT.
- IF USING BED FRAME WITH STANDARD BOX SPRING OR FOUNDATION, CONTINUE TO STEP 3.

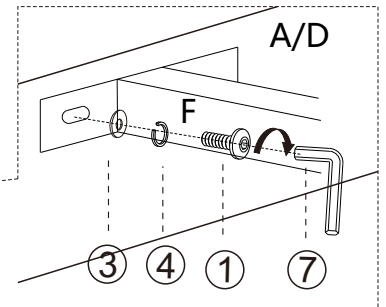
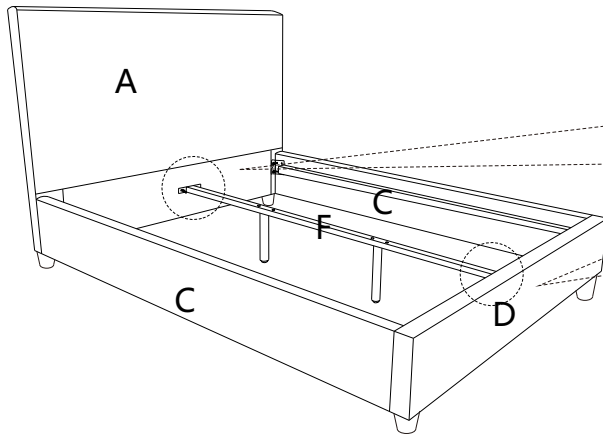
STEP 3



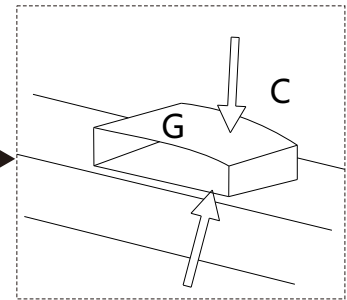
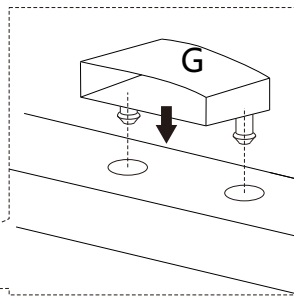
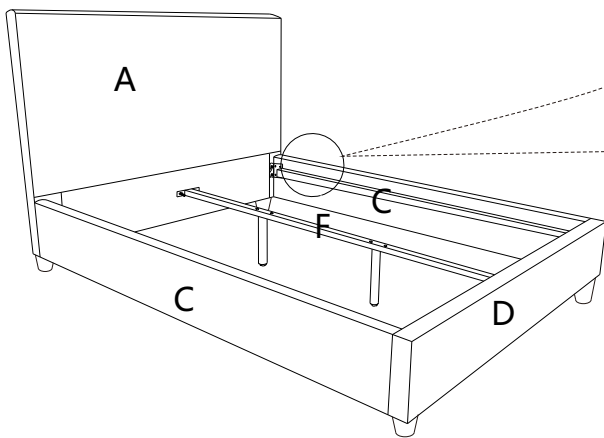
OLIVIA FULL/QUEEN BED ASSEMBLY INSTRUCTIONS



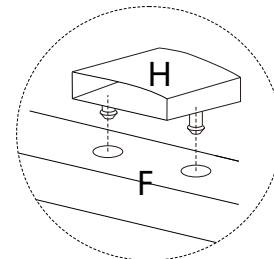
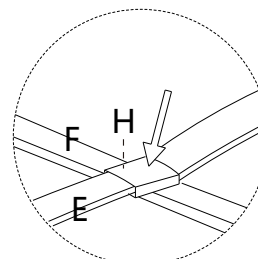
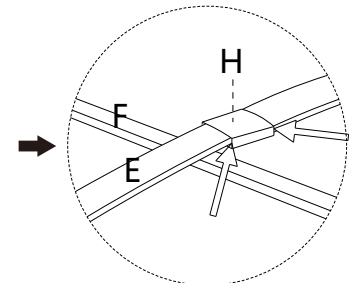
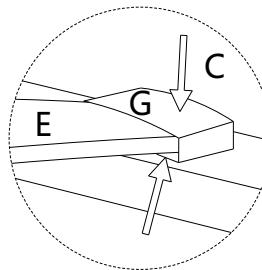
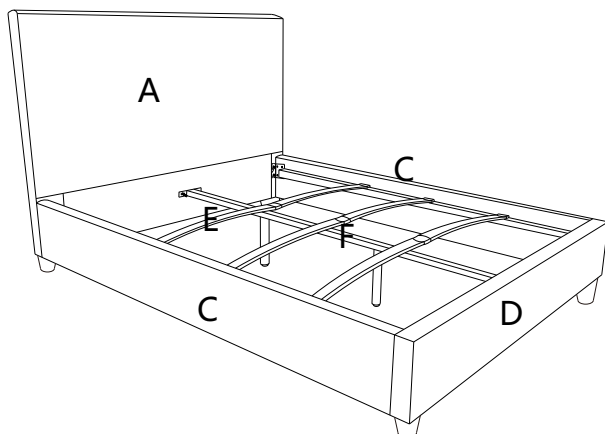
STEP 4



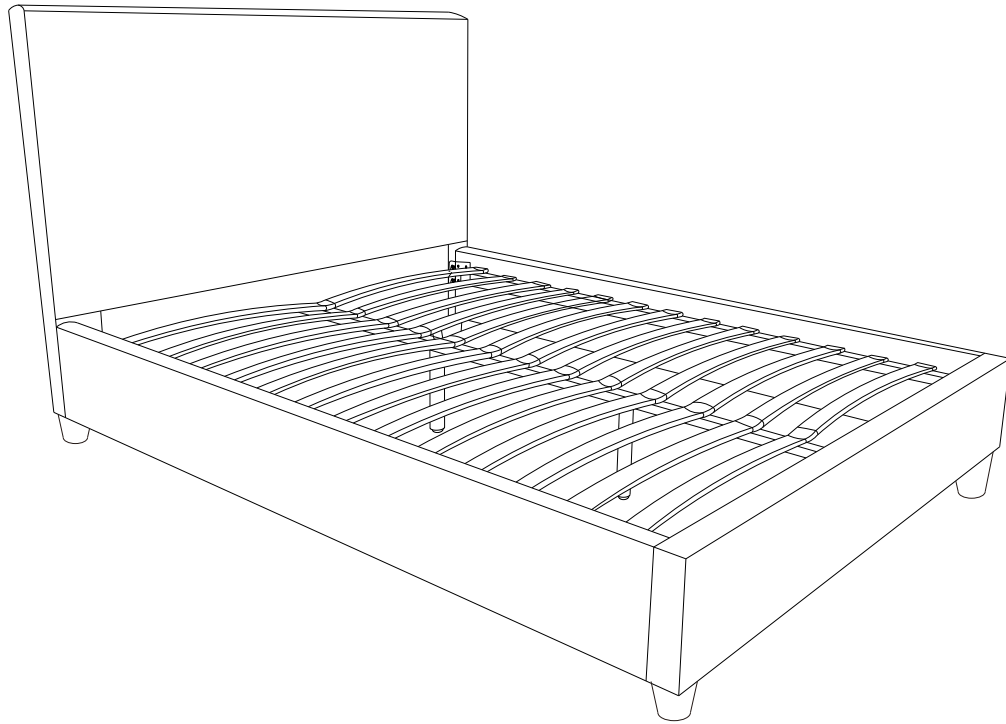
STEP 5



STEP 6



OLIVIA FULL/QUEEN BED ASSEMBLY INSTRUCTIONS



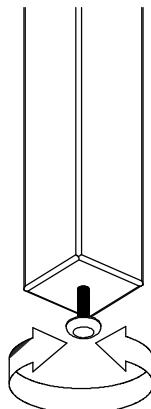
ASSEMBLY COMPLETE.

INSTRUCTIONS FOR ADJUSTING LEVELERS:

POSITION THE BED IN YOUR ROOM.
LOCATE LEVELERS UNDER EACH
SUPPORT LEG (I).

TURN COUNTER-CLOCKWISE TO
EXTEND, CLOCKWISE TO RETRACT.

ADJUST LEVELERS UNTIL EACH LEG
SUPPORT IS APPLYING EQUAL UPWARD
PRESSURE ON THE CENTER SLAT.



MAINTENANCE INSTRUCTIONS:

- REMOVE BOX SPRING AND MATTRESS BEFORE MOVING YOUR BED.
- LIFT YOUR BED WHEN MOVING IT. DRAGGING CAN DAMAGE CENTER SUPPORT.
- READJUST LEVELERS AFTER MOVING YOUR BED.

OLIVIA FULL/QUEEN BED ASSEMBLY INSTRUCTIONS



APPENDIX A:ADJUSTABLE MATTRESS BASE ASSEMBLY SUPPLEMENT

AN ADJUSTABLE MATTRESS BASE IS A FREESTANDING MATTRESS SUPPORT THAT SITS WITHIN THE PERIMETER OF THE BED FRAME.

IF USING THIS BED FRAME WITH A STANDARD BOX SPRING OR FOUNDATION THESE INSTRUCTIONS DO NOT APPLY.

PRE-ASSEMBLED SIDE RAIL CLEATS OBSTRUCT ADJUSTABLE BASE INSTALLATION AND OPERATION. FOLLOW THESE INSTRUCTIONS TO REMOVE THEM.

WARNING!

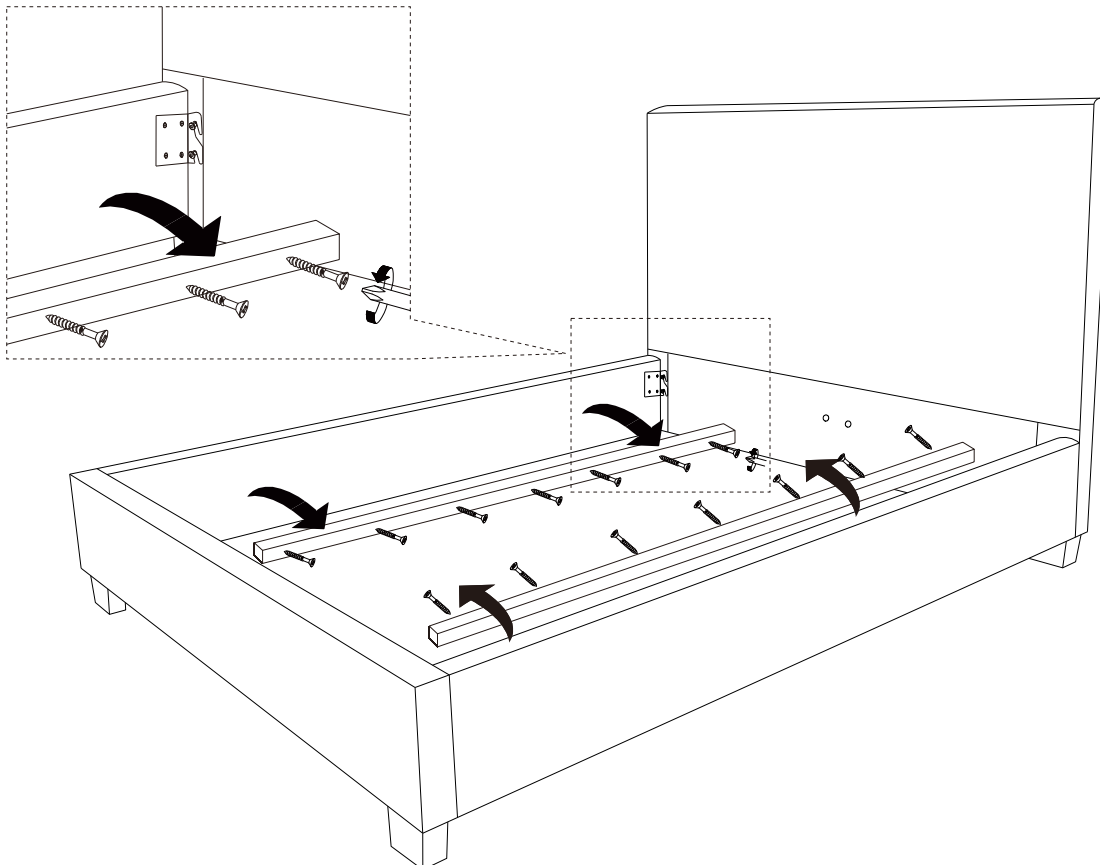
SIDE RAIL CLEATS ARE HELD IN PLACE USING PHILLIPS HEAD SCREWS. ONCE THEY ARE REMOVED THE USER WILL NOT BE ABLE TO SAFELY RE-INSTALL THE SIDE RAIL CLEATS FOR FUTURE USE WITH A STANDARD BOX SPRING OR FOUNDATION.

THE FOLLOWING PARTS ARE NOT REQUIRED FOR ADJUSTABLE MATTRESS BASE INSTALLATION:

F. CENTER SLAT SUPPORT	1 PC
E. SLAT	26 PCS
G. SIDE RAIL SLAT CLIP	26 PCS
H. CENTER SUPPORT SLAT CLIP	13 PCS
I. CENTER SUPPORT LEG	2 PCS

STEP 1 :

USE A PHILLIPS HEAD SCREWDRIVER (NOT PROVIDED) TO UNSCREW THE PHILLIPS SCREWS AND REMOVE THE PRE-ASSEMBLED SIDE RAIL CLEATS.

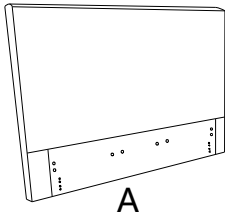


OLIVIA KING BED ASSEMBLY INSTRUCTIONS



BOX#1

- A. HEADBOARD 1 PC
- B. HEADBOARD LEG 2 PCS



A



B

HARDWARE PACKED IN BOX#2

1	ALLEN BOLT(5/16"x1")		8 PCS
2	ALLEN BOLT(5/16"x2-1/2")		8 PCS
3	FLAT WASHER(5/16")		24 PCS
4	LOCK WASHER(5/16")		16 PCS
5	WASHER(2")		4 PCS
6	WRENCH(5/16")		1 PC
7	ALLEN KEY(5/16")		1 PC
8	HEX NUT(5/16"x12)		8 PCS

BOX#2

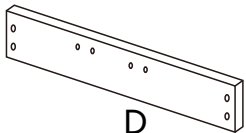
- B. FOOTBOARD LEG 2 PCS
 - C. SIDE RAIL 2 PCS
 - D. FOOTBOARD 1 PC
 - E. SLAT 39 PCS
 - F. CENTER SLAT SUPPORT 2 PCS
 - G. SIDE RAIL SLAT CLIP 26 PCS
 - H. CENTER SUPPORT SLAT CLIP 26 PCS
 - I. SLAT SUPPORT LEG 4 PCS
- HARDWARE SET



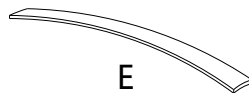
B



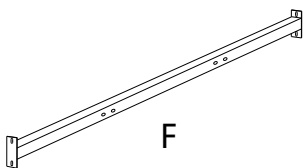
C



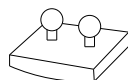
D



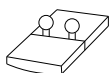
E



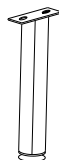
F



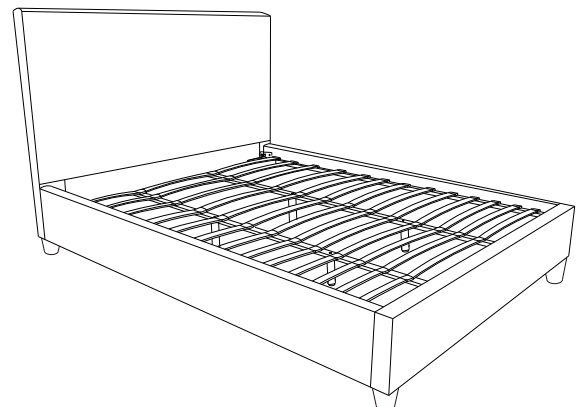
G



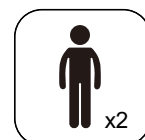
H



I



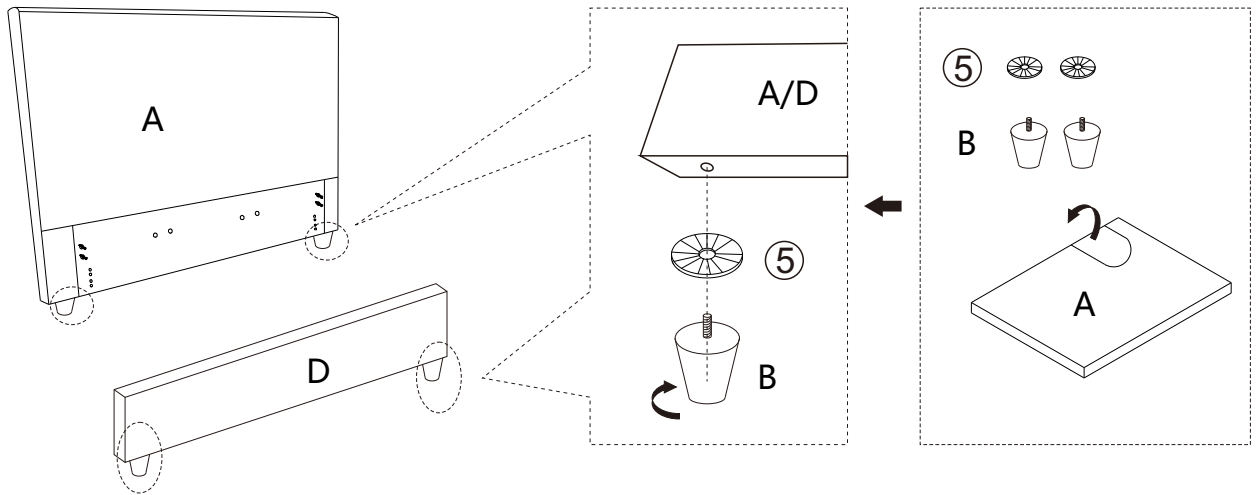
UPDATED: MAY 5TH, 2021



OLIVIA KING BED ASSEMBLY INSTRUCTIONS

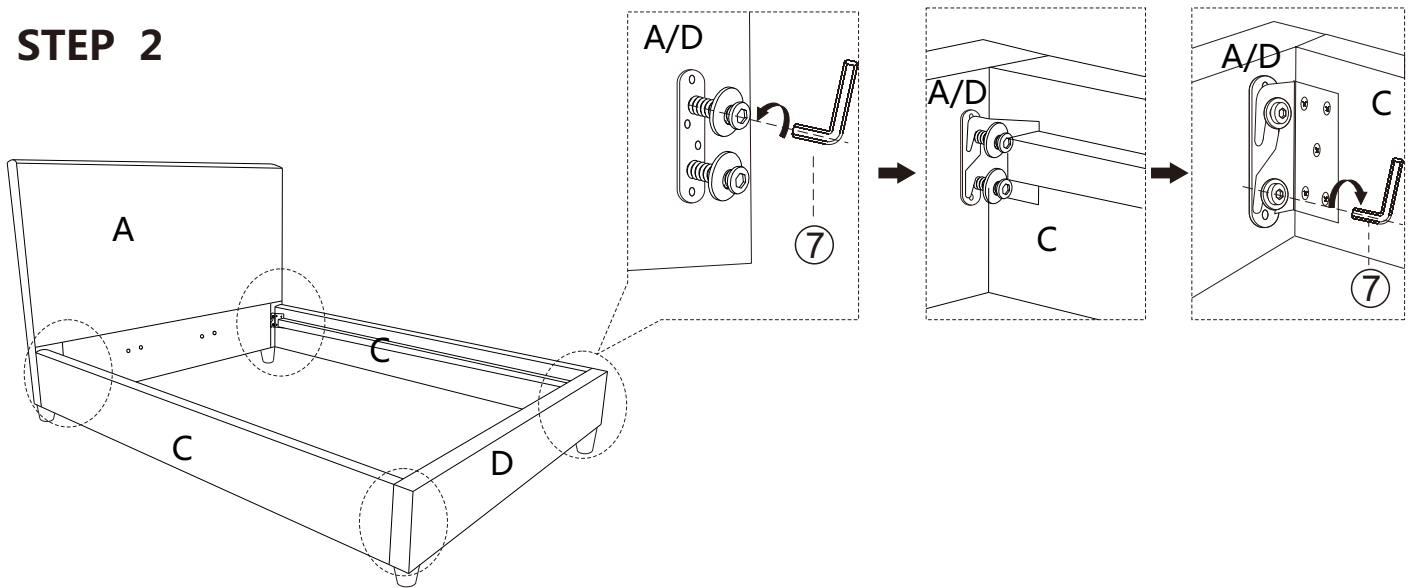


STEP 1

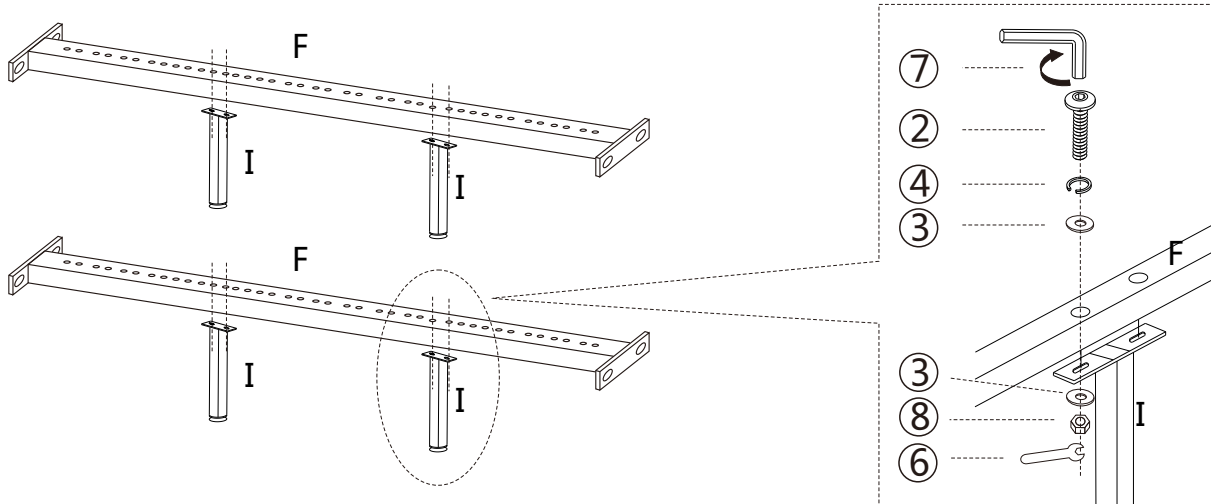


NOTE: USE FOOTBOARD LEG (B) PACKED IN BOX #2 FOR ASSEMBLY TO FOOTBOARD (D).

STEP 2



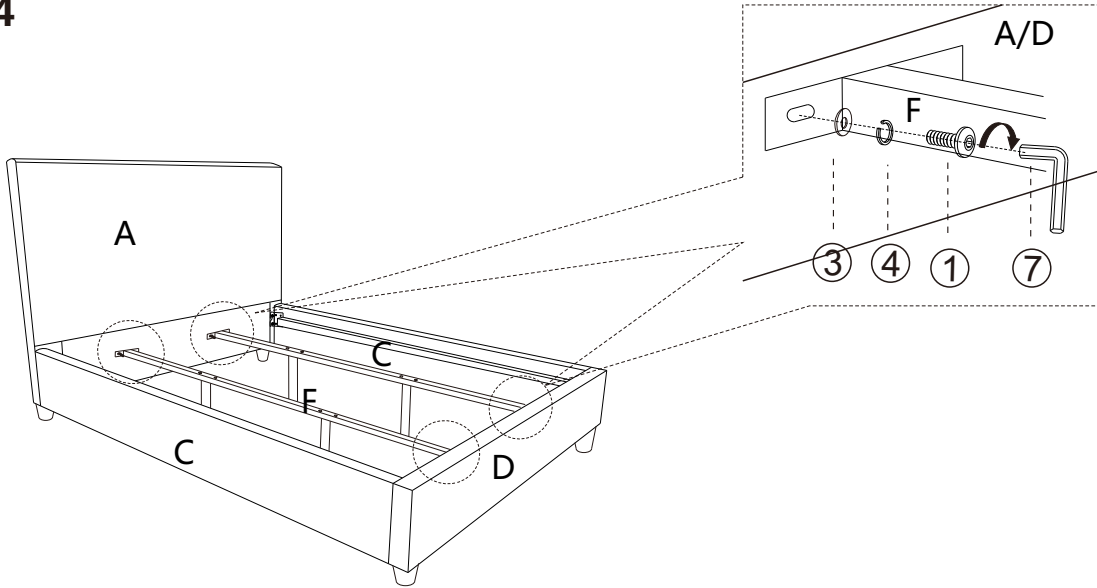
STEP 3



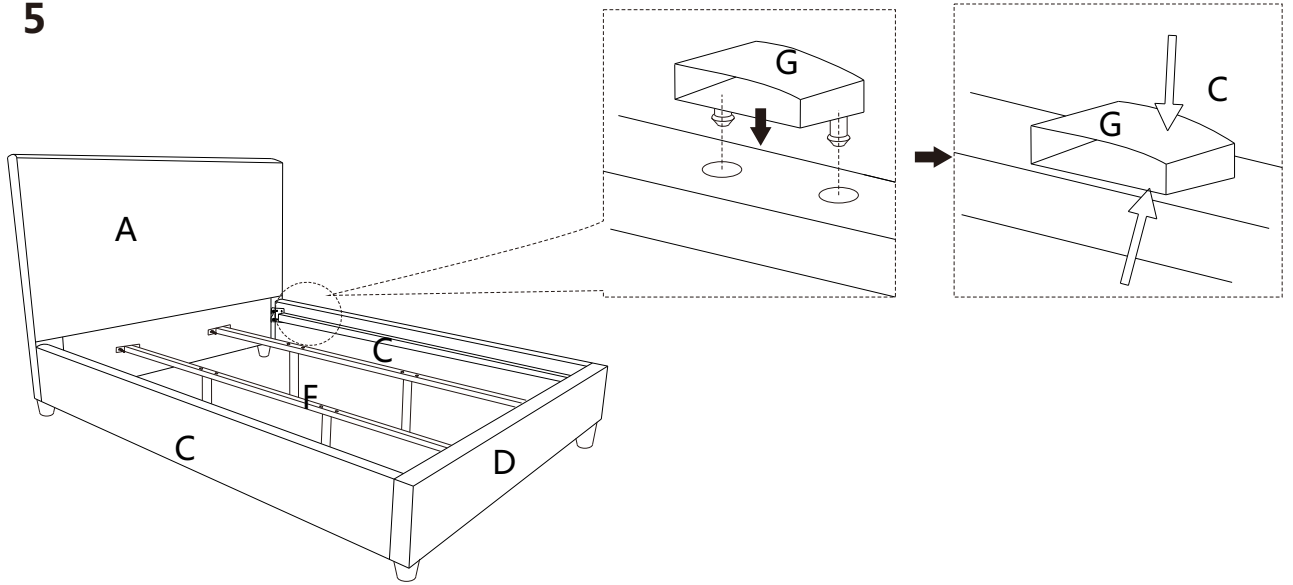
OLIVIA KING BED ASSEMBLY INSTRUCTIONS



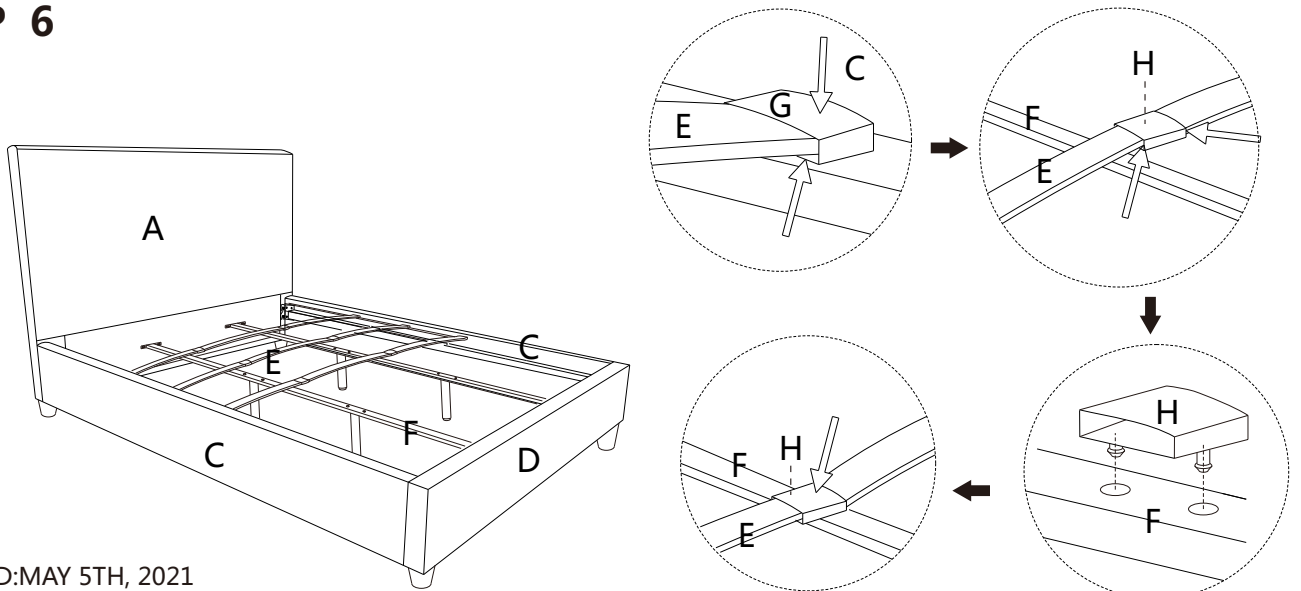
STEP 4



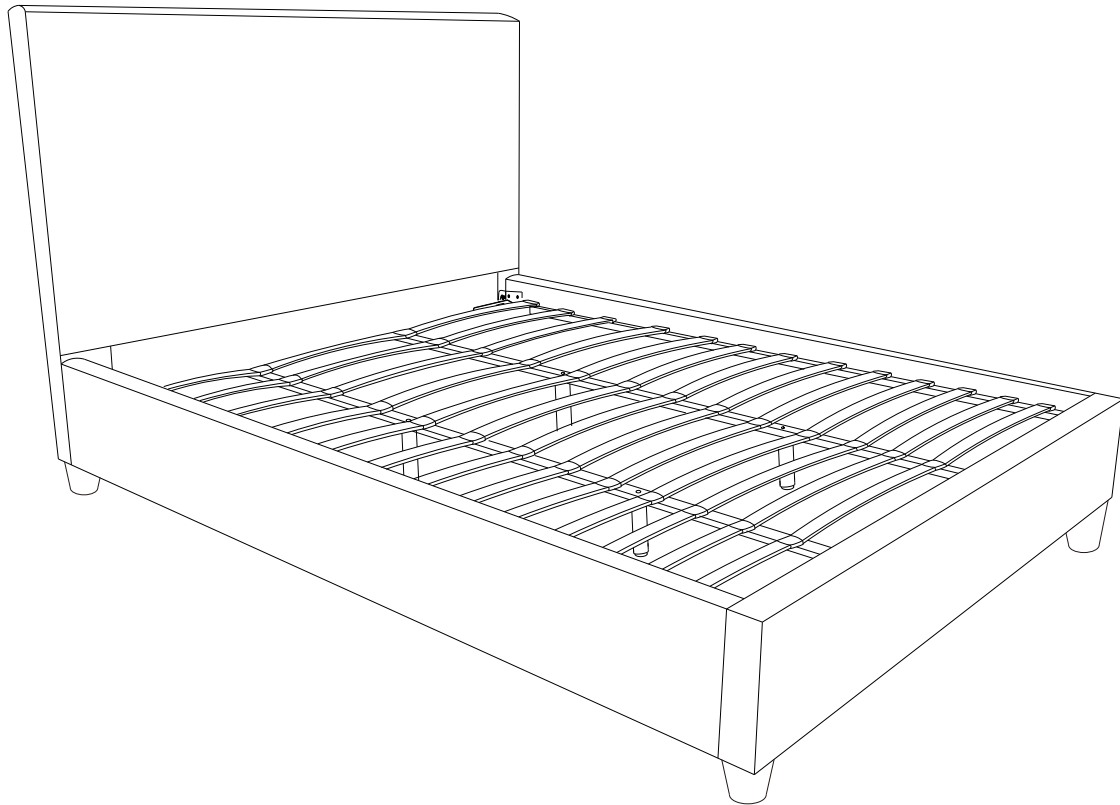
STEP 5



STEP 6



OLIVIA KING BED ASSEMBLY INSTRUCTIONS



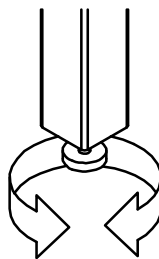
ASSEMBLY COMPLETE.

INSTRUCTIONS FOR ADJUSTING LEVELERS:

Position the bed in your space and locate the leveler under each support leg (I).

Turn the leveler counter-clockwise to extend the leveler and clockwise to retract it.

Adjust each leveler until each support leg is applying equal, upward pressure on the bed support slat.



MAINTENANCE INSTRUCTIONS:

- Remove box spring and mattress before moving your bed.
- Lift your bed when moving it. Dragging can damage the support leg.
- Readjust levelers after moving your bed.