

MEADOW

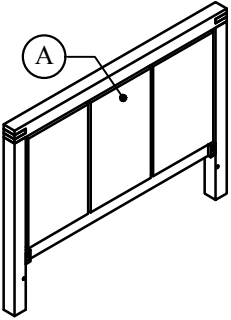
FULL/QUEEN/E.KING STORAGE BED

ASSEMBLY INSTRUCTIONS

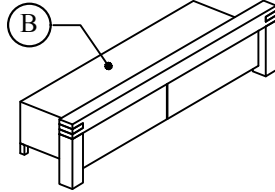


PARTS AND FITTING PACKAGING DETAIL

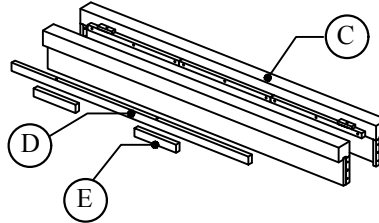
BOX #1
A. HEADBOARD 1 PC



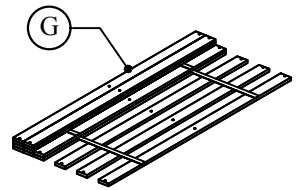
BOX #2
B. FOOTBOARD 1 PC



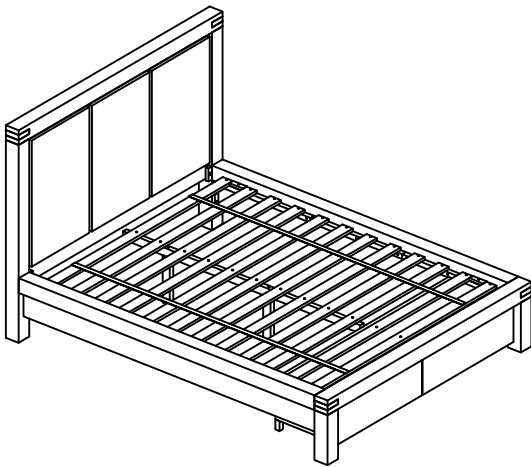
BOX #3
C. SIDERAILS 2 PCS
D. CENTER SUPPORT 1 PC
E. LEG SUPPORTS 2 PCS
F. HARDWARE BOX



BOX #4
G. BED SLATS 12 PCS



MEADOW FULL/QUEEN/E.KING STORAGE ASSEMBLED

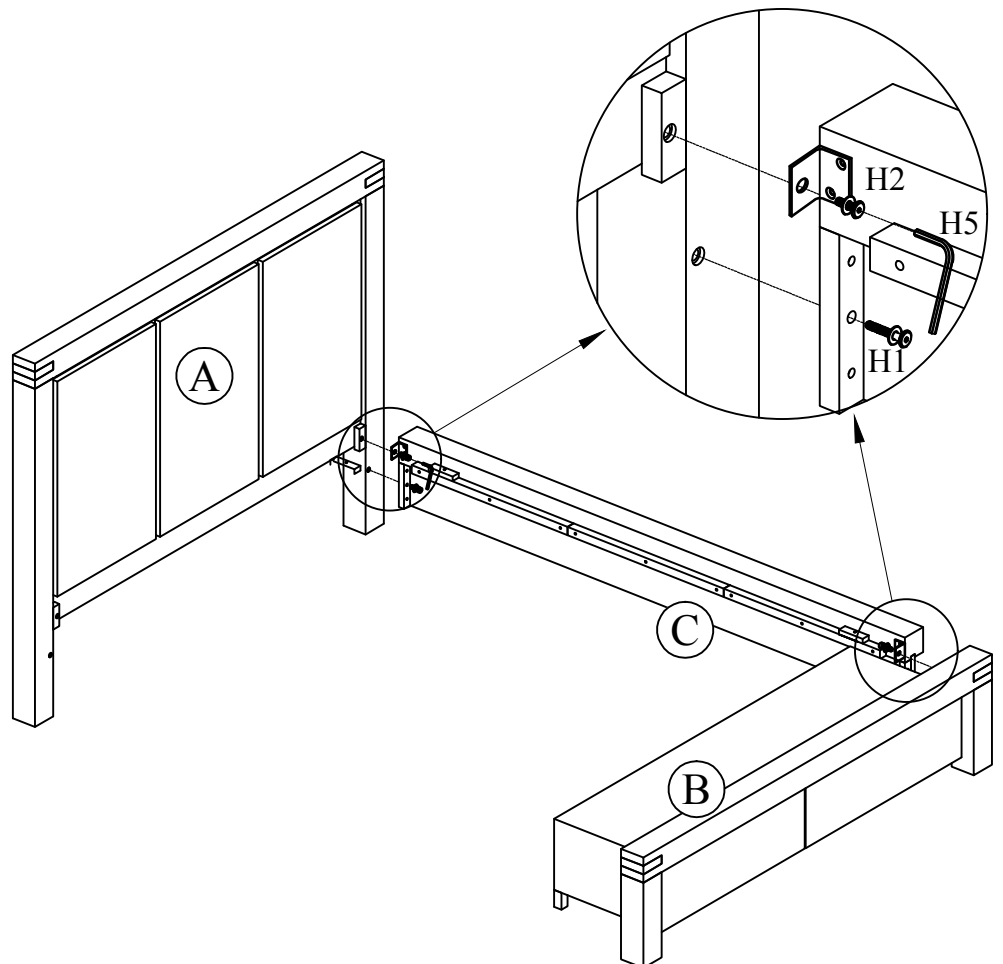


HARDWARE* PACKED IN BOX #3

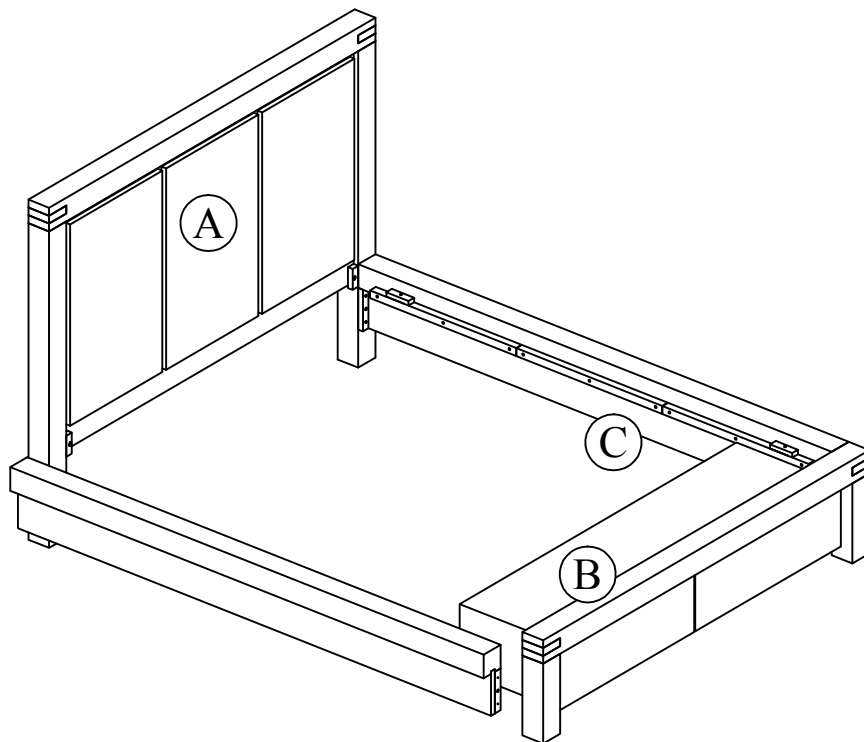
H1	ALLEN BOLT WITH FLAT WASHER (M8 x 40)	4 PCS	H2	ALLEN BOLT WITH FLAT WASHER (M8 x 20)	4 PCS	H3	ALLEN BOLT (M6 x 50)	2 PCS
H4	WOOD SCREWS (25MM)	36 PCS	H5	ALLEN KEY 4	1 PC			

YOUR BOX MAY CONTAIN EXTRA HARDWARE

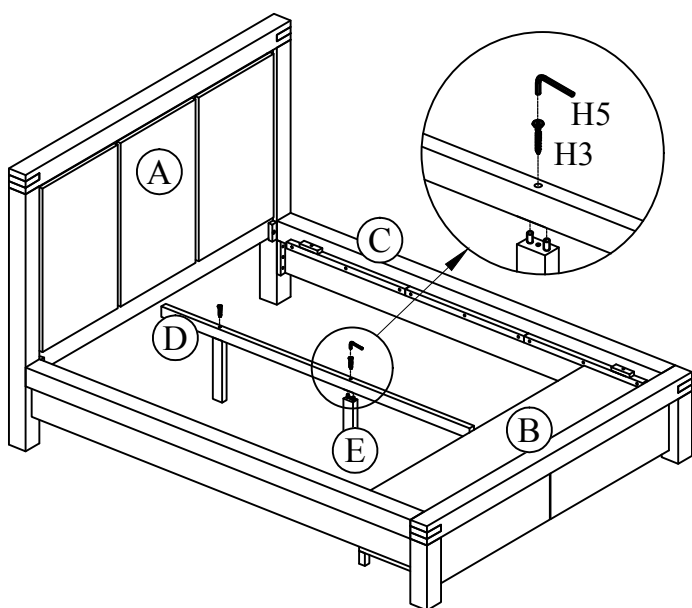
STEP 1: Attach one side rail (C) to the Headboard (A) using one M8x20 Allen Bolt and Washer (H2) through the metal 'L' bracket and one M8x40 Allen Bolt (H1) through the wooden cleat. Do not tighten bolts completely. Repeat steps to attach other end of the side rail to the Footboard (B).



STEP 2: Repeat step 1 for the second side rail. Tighten all bolts completely with the provided Allen Key (H5)



STEP 3: Attach the support legs (E) to the center support (D) using three M6x50 Allen Bolts.



STEP 4: Spread the slat roll (G) between the wooden blocks on the side rails. Before attaching with screws, position the center slat support from step 3 underneath the slat roll. Secure the slats with the provided wood screws (H4).

