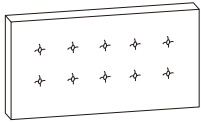


MADERA FULL/QUEEN BED ASSEMBLY INSTRUCTIONS

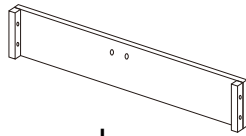


BOX#1

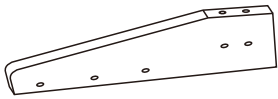
- A. HEADBOARD 1 PC
- L. HEAD RAIL 1 PC
- M. RIGHT WING 1 PC
- N. LEFT WING 1 PC



A



L



M



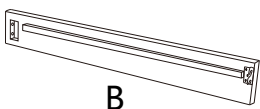
N

HARDWARE PACKED IN BOX#2

| | | | |
|----|-----------------------------|--|--------|
| 1 | ALLEN BOLT(5/16"x1") | | 4 PCS |
| 2 | ALLEN BOLT(5/16"x2") | | 12 PCS |
| 3 | ALLEN BOLT(5/16"x3") | | 4 PCS |
| 4 | THREADED BOLT(5/16"x4-1/4") | | 4 PCS |
| 5 | FLAT WASHER(5/16") | | 20 PCS |
| 6 | LOCK WASHER(5/16") | | 20 PCS |
| 7 | ALLEN KEY(5/16"x4") | | 1 PC |
| 8 | WRENCH(5/16"x1/2") | | 1 PC |
| 9 | DOWEL(3/8"x1-1/2") | | 4 PCS |
| 10 | MENDING PLATE | | 2 PCS |
| 11 | HEX NUT(5/16"x12MM) | | 4 PCS |

BOX#2

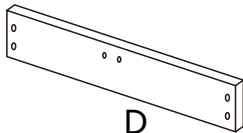
- B. RIGHT SIDE RAIL 1 PC
- C. LEFT SIDE RAIL 1 PC
- D. FOOTBOARD 1 PC
- E. SLAT 26 PCS
- F. CENTER SLAT SUPPORT 1 PC
- G. SIDE RAIL SLAT CLIP 26 PCS
- H. CENTER SUPPORT SLAT CLIP 13 PCS
- J. HEADBOARD/FOOTBOARD LEG 4 PCS
- K. SLAT SUPPORT LEG 2 PCS



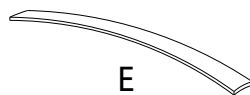
B



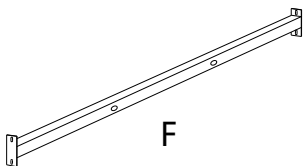
C



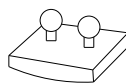
D



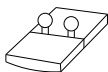
E



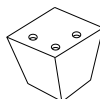
F



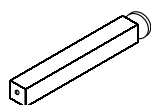
G



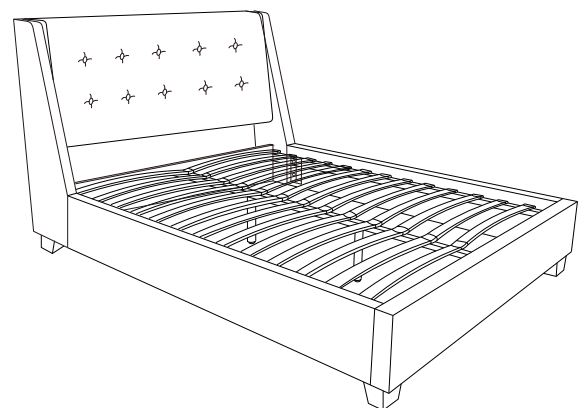
H



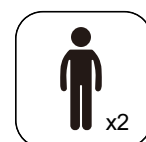
J



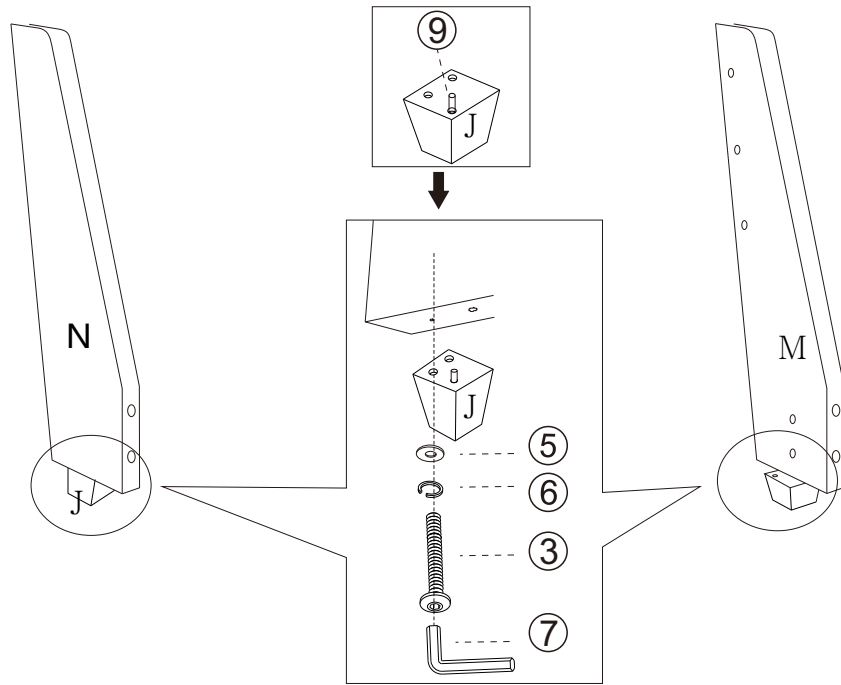
K



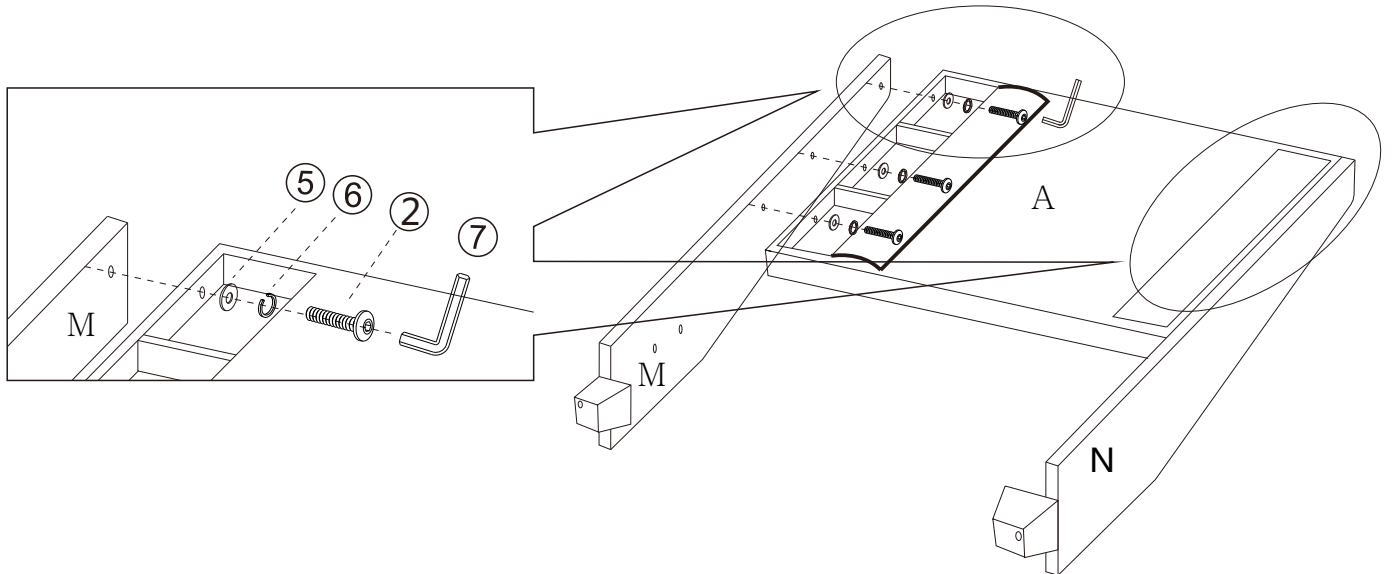
UPDATED: JUNE 20TH, 2022



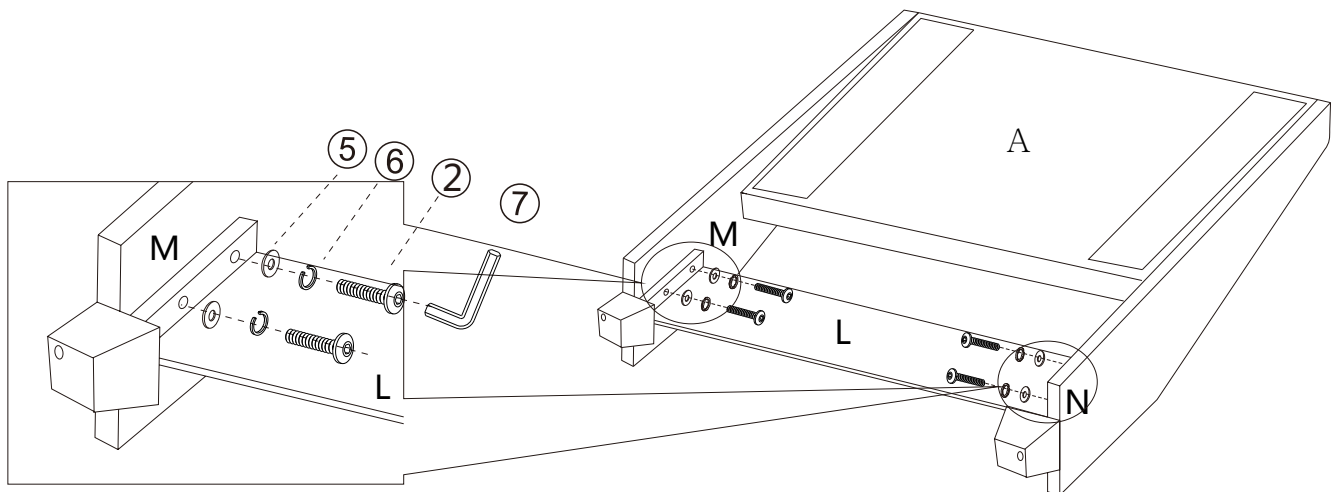
STEP 1



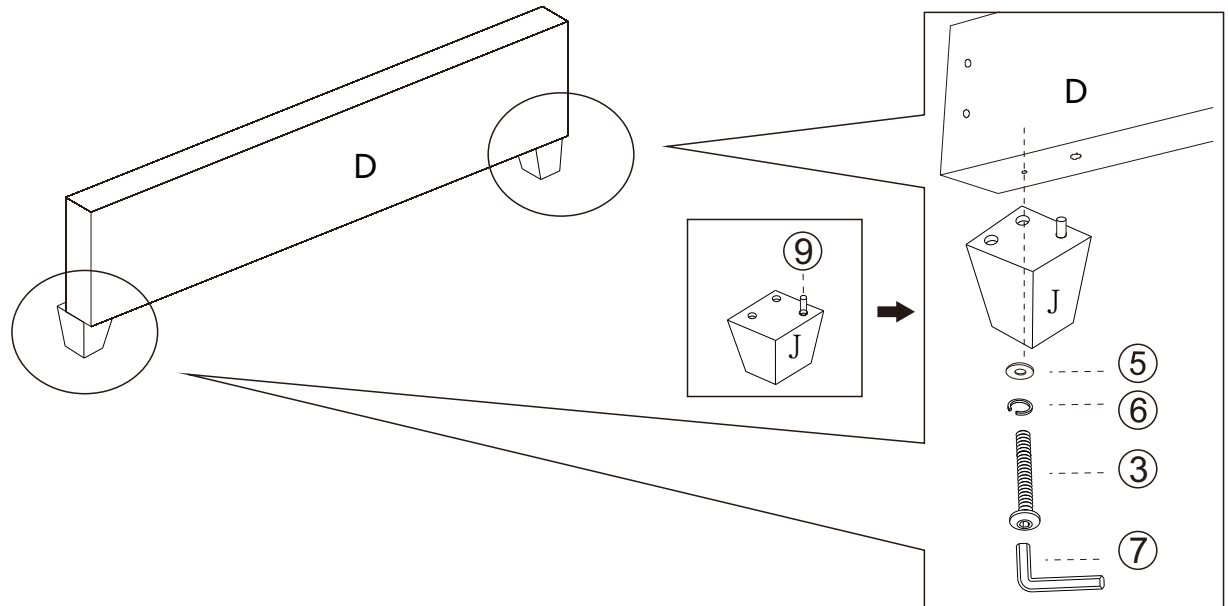
STEP 2



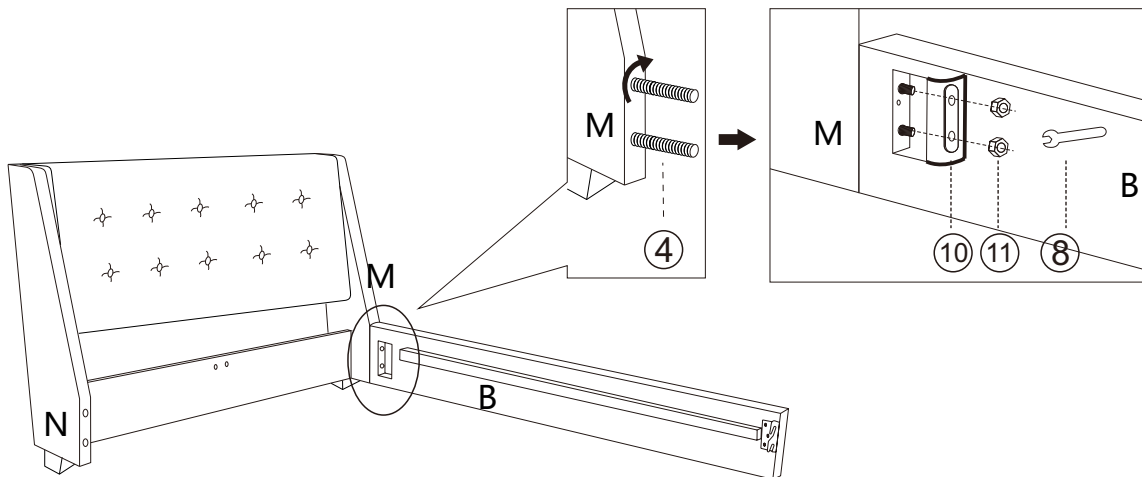
STEP 3



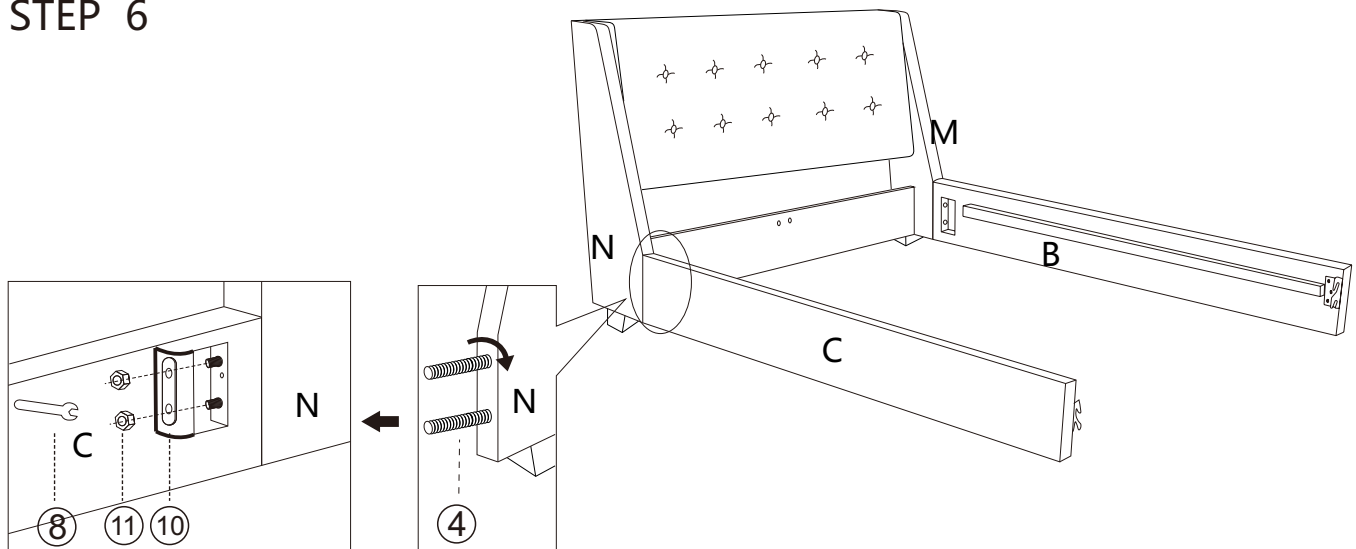
STEP 4



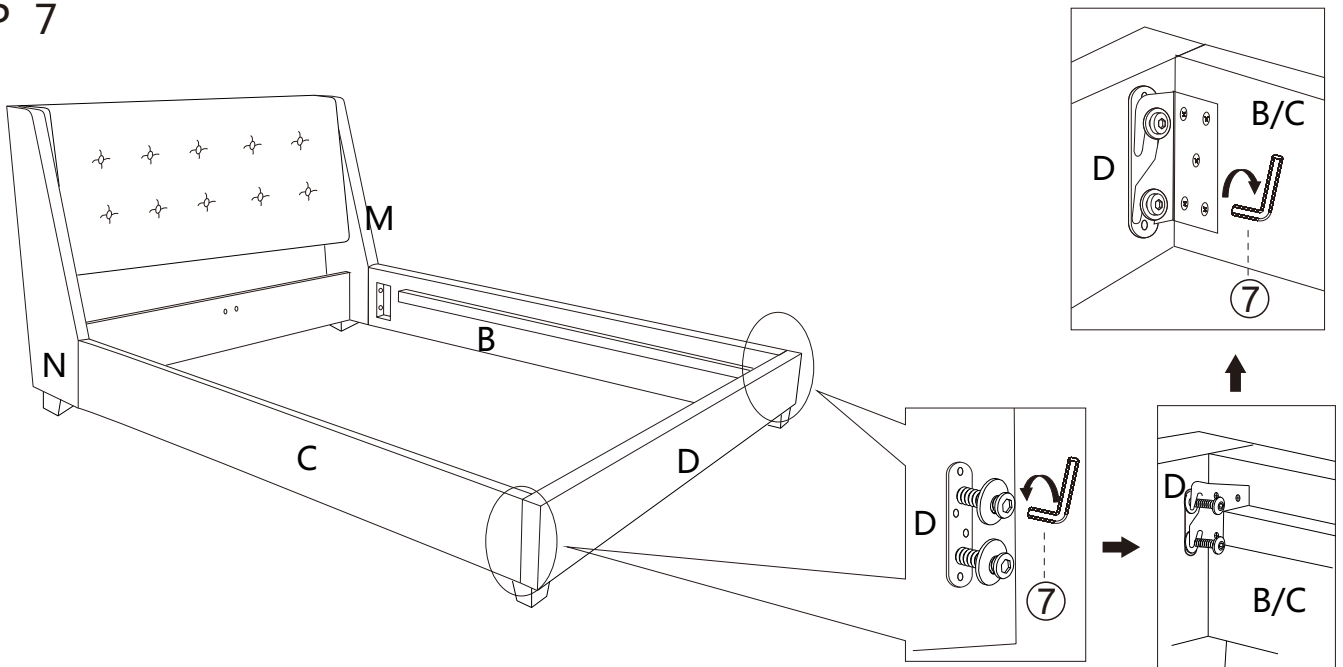
STEP 5



STEP 6



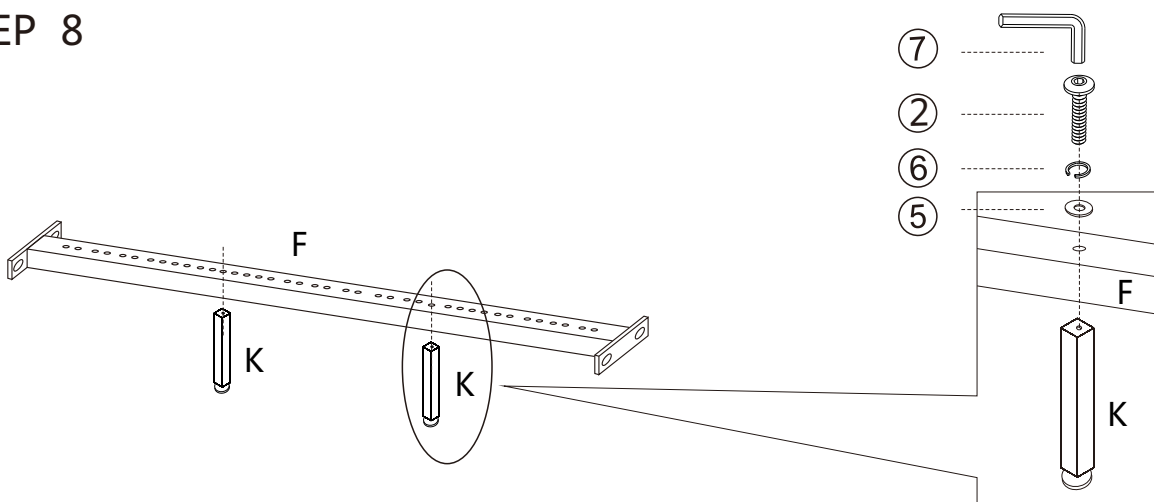
STEP 7



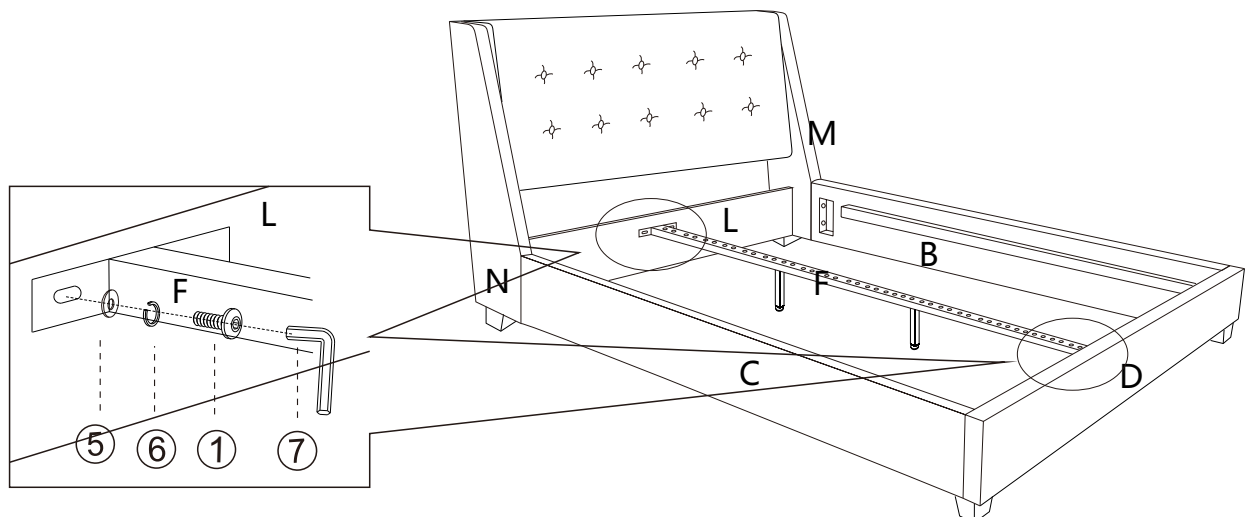
STOP

- IF USING BED WITH AN ADJUSTABLE MATTRESS BASE, SKIP STEPS 8, 9, 10, & 11 AND REFERENCE APPENDIX A: ADJUSTABLE MATTRESS BASE ASSEMBLY SUPPLEMENT.
- IF USING BED FRAME WITH STANDARD BOX SPRING OR FOUNDATION, CONTINUE TO STEP 8.

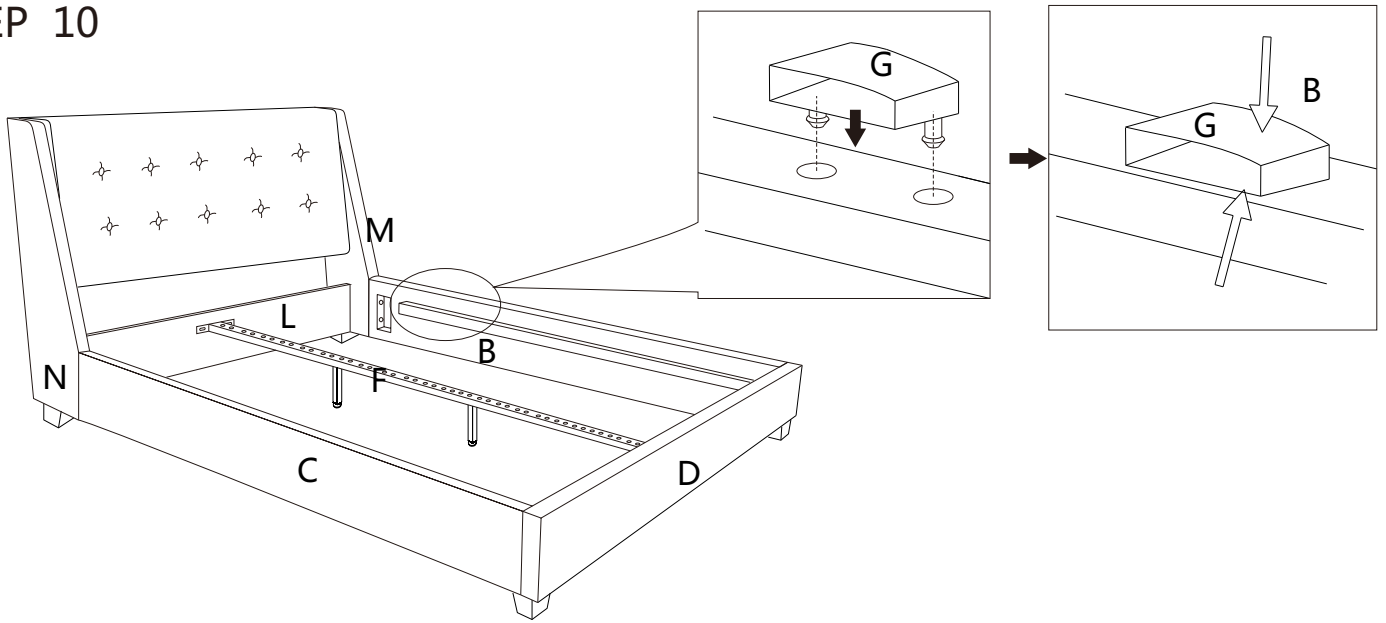
STEP 8



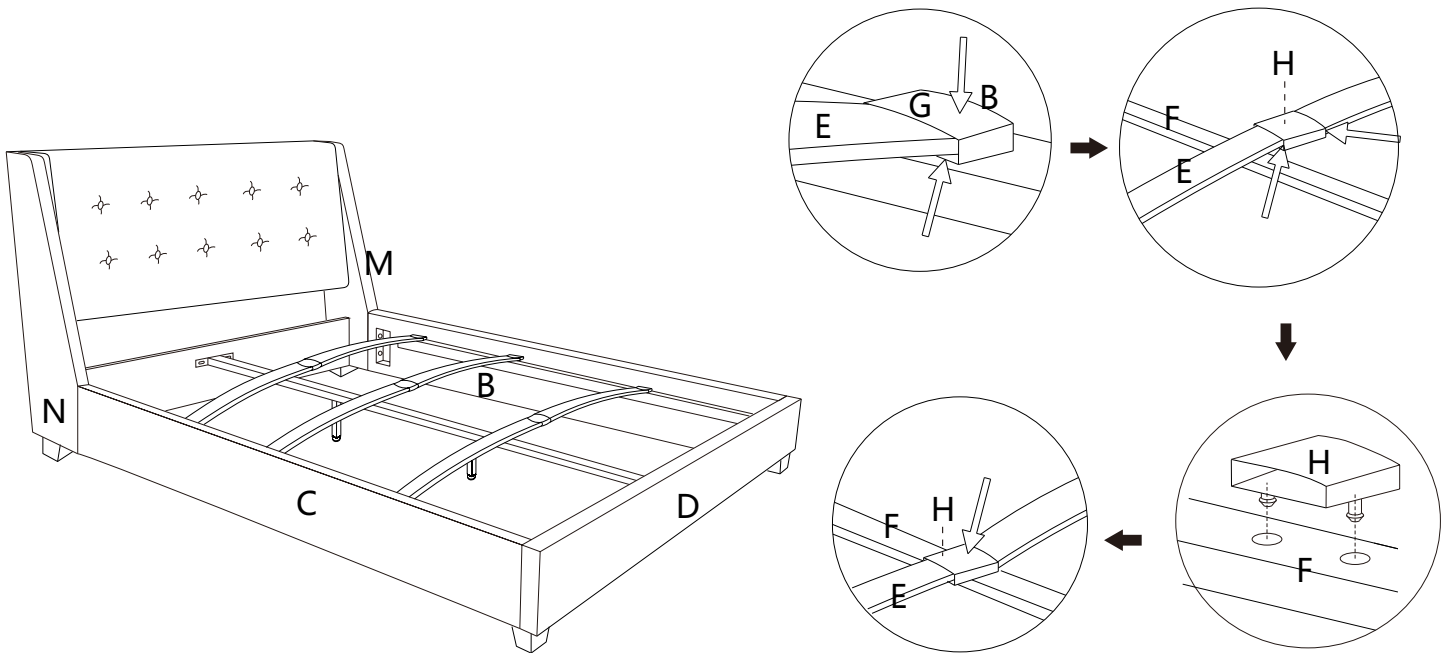
STEP 9



STEP 10



STEP 11

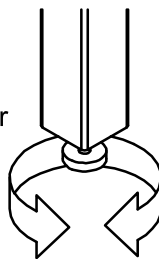


INSTRUCTIONS FOR ADJUSTING LEVELERS:

Position the bed in your space and locate the leveler under each leg support (K).

Turn the leveler counter-clockwise to extend the leveler and clockwise to retract it.

Adjust each leveler until each leg support is applying equal, upward pressure on the bed support slat.



MAINTENANCE INSTRUCTIONS:

- Remove box spring and mattress before moving your bed.
- Lift your bed when moving it. Dragging can damage the leg support.
- Readjust levelers after moving your bed.

MADERA FULL/QUEEN BED ASSEMBLY INSTRUCTIONS



APPENDIX A:ADJUSTABLE MATTRESS BASE ASSEMBLY SUPPLEMENT

AN ADJUSTABLE MATTRESS BASE IS A FREESTANDING MATTRESS SUPPORT THAT SITS WITHIN THE PERIMETER OF THE BED FRAME.

IF USING THIS BED FRAME WITH A STANDARD BOX SPRING OR FOUNDATION THESE INSTRUCTIONS DO NOT APPLY.

PRE-ASSEMBLED SIDE RAIL CLEATS OBSTRUCT ADJUSTABLE BASE INSTALLATION AND OPERATION. FOLLOW THESE INSTRUCTIONS TO REMOVE THEM.



WARNING!

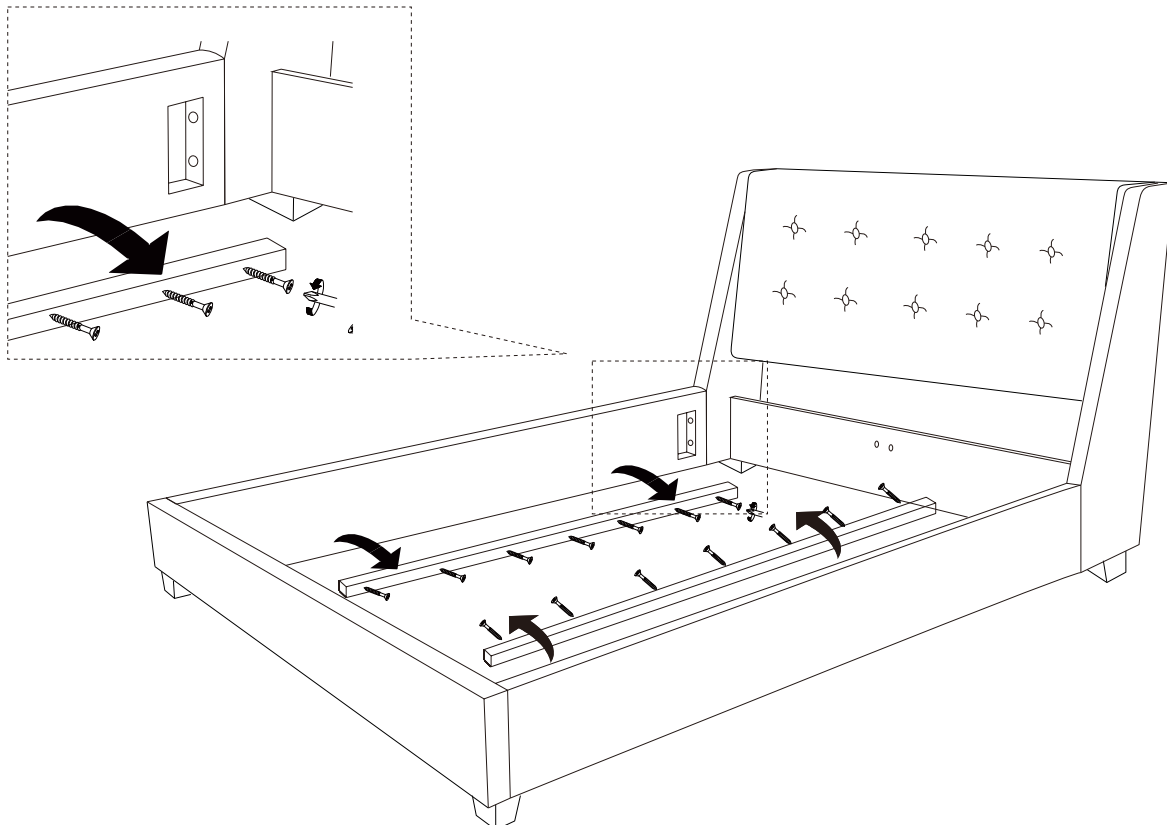
SIDE RAIL CLEATS ARE HELD IN PLACE USING PHILLIPS HEAD SCREWS. ONCE THEY ARE REMOVED THE USER WILL NOT BE ABLE TO SAFELY RE-INSTALL THE SIDE RAIL CLEATS FOR FUTURE USE WITH A STANDARD BOX SPRING OR FOUNDATION.

THE FOLLOWING PARTS ARE NOT REQUIRED FOR ADJUSTABLE MATTRESS BASE INSTALLATION:

| | |
|-----------------------------|--------|
| E. SLAT | 26 PCS |
| F. CENTER SLAT SUPPORT | 1 PC |
| G. SIDE RAIL SLAT CLIP | 26 PCS |
| H. CENTER SUPPORT SLAT CLIP | 13 PCS |
| K. SLAT SUPPORT LEG | 2 PCS |

STEP 1 :

USE A PHILLIPS HEAD SCREWDRIVER (NOT PROVIDED) TO UNSCREW THE PHILLIPS SCREWS AND REMOVE THE PRE-ASSEMBLED SIDE RAIL CLEATS.

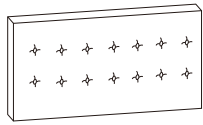


MADERA C.KING/E.KING BED ASSEMBLY INSTRUCTIONS

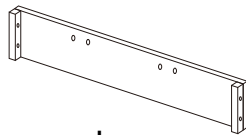


BOX#1

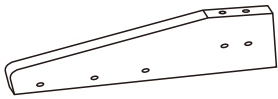
- A. HEADBOARD 1 PC
- L. HEAD RAIL 1 PC
- M. RIGHT WING 1 PC
- N. LEFT WING 1 PC



A



L



M



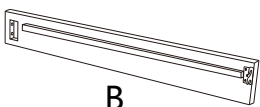
N

HARDWARE PACKED IN BOX#2

| | | | |
|----|-----------------------------|--|--------|
| 1 | ALLEN BOLT(5/16"x1") | | 8 PCS |
| 2 | ALLEN BOLT(5/16"x2") | | 14 PCS |
| 3 | ALLEN BOLT(5/16"x3") | | 4 PCS |
| 4 | THREADED BOLT(5/16"x4-1/4") | | 4 PCS |
| 5 | FLAT WASHER(5/16") | | 26 PCS |
| 6 | LOCK WASHER(5/16") | | 26 PCS |
| 7 | ALLEN KEY(5/16"x4") | | 1 PC |
| 8 | WRENCH(5/16"x1/2") | | 1 PC |
| 9 | DOWEL(3/8"x1-1/2") | | 4 PCS |
| 10 | MENDING PLATE | | 2 PCS |
| 11 | HEX NUT(5/16"x12MM) | | 4 PCS |

BOX#2

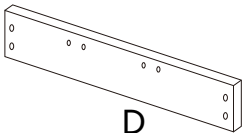
- B. RIGHT SIDE RAIL 1 PC
- C. LEFT SIDE RAIL 1 PC
- D. FOOTBOARD 1 PC
- E. SLAT 39 PCS
- F. CENTER SLAT SUPPORT 2 PCS
- G. SIDE RAIL SLAT CLIP 26 PCS
- H. CENTER SUPPORT SLAT CLIP 26 PCS
- J. HEADBOARD/FOOTBOARD LEG 4 PCS
- K. SLAT SUPPORT LEG 4 PCS



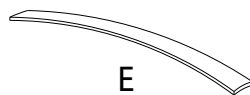
B



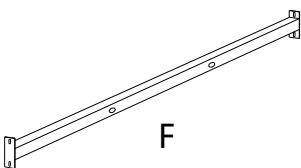
C



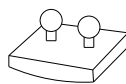
D



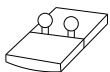
E



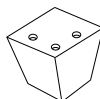
F



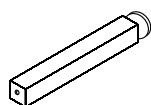
G



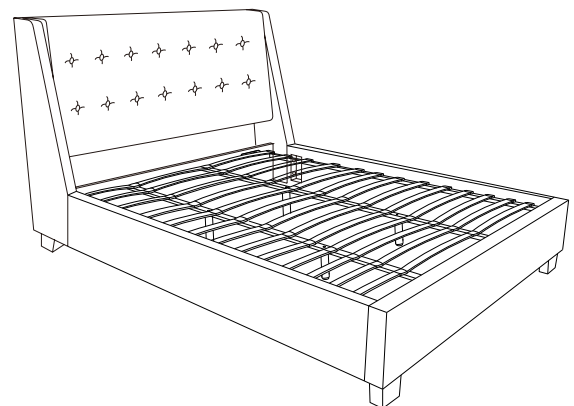
H



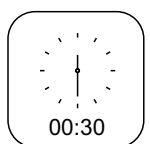
J



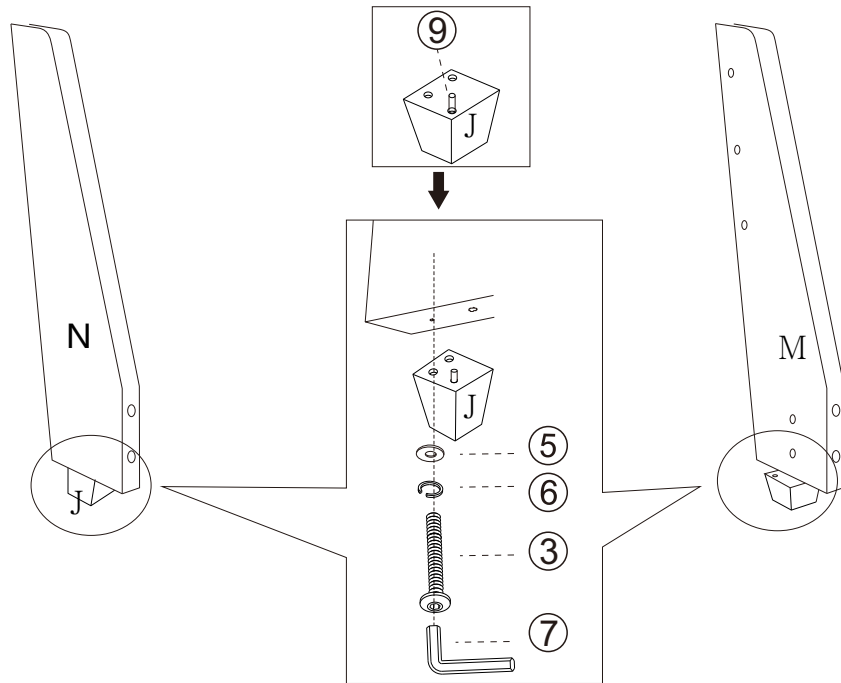
K



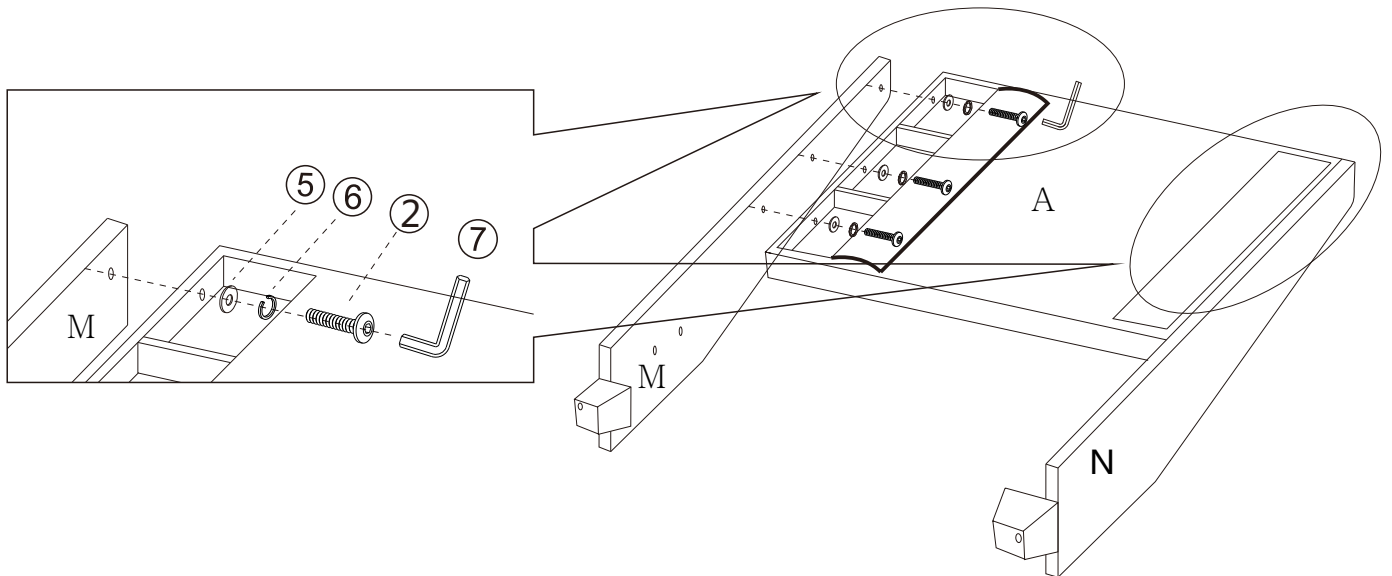
UPDATED:JUNE 20TH, 2022



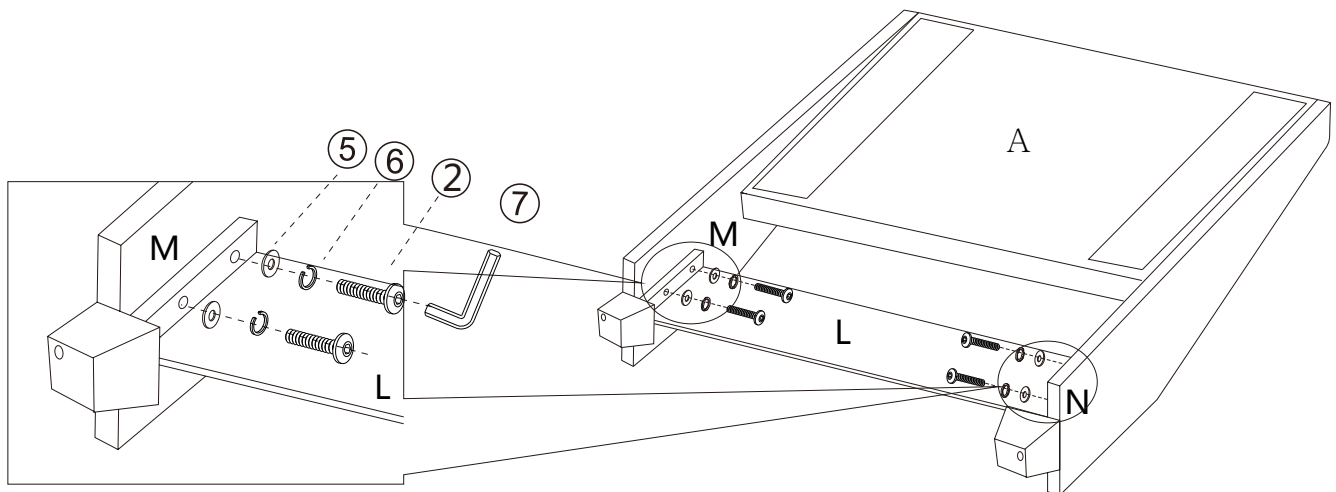
STEP 1



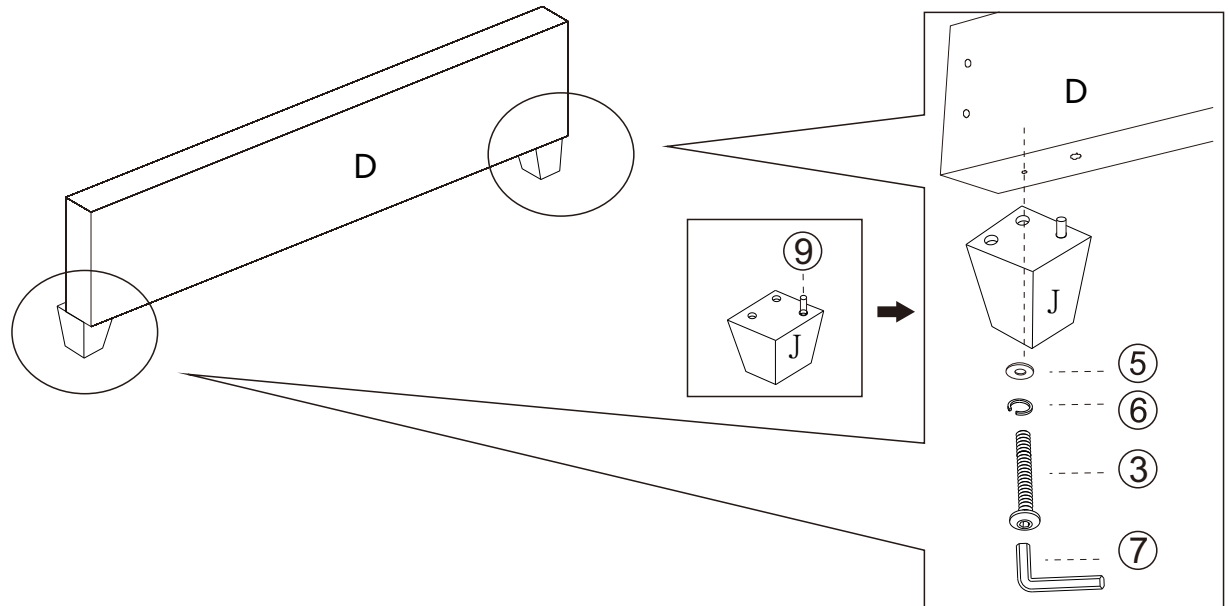
STEP 2



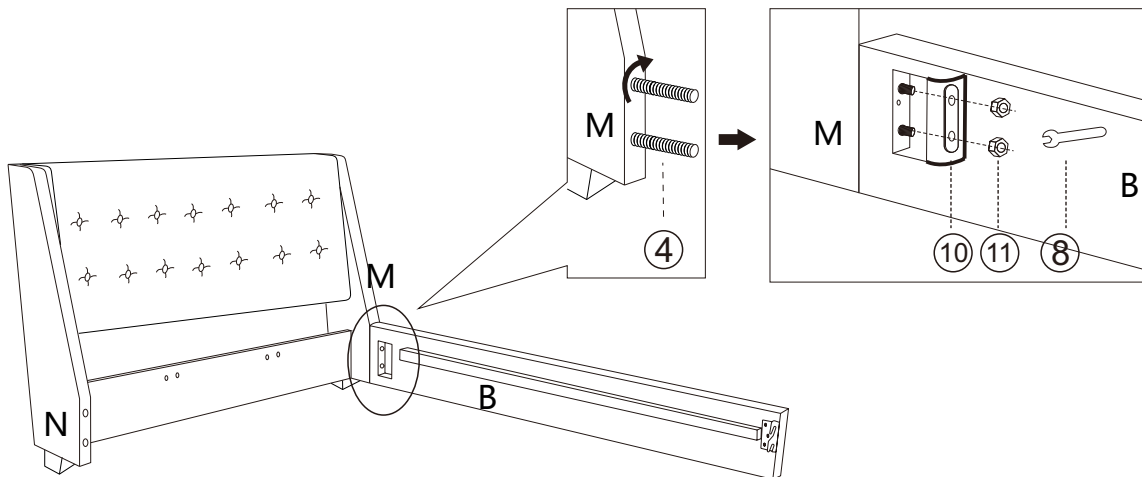
STEP 3



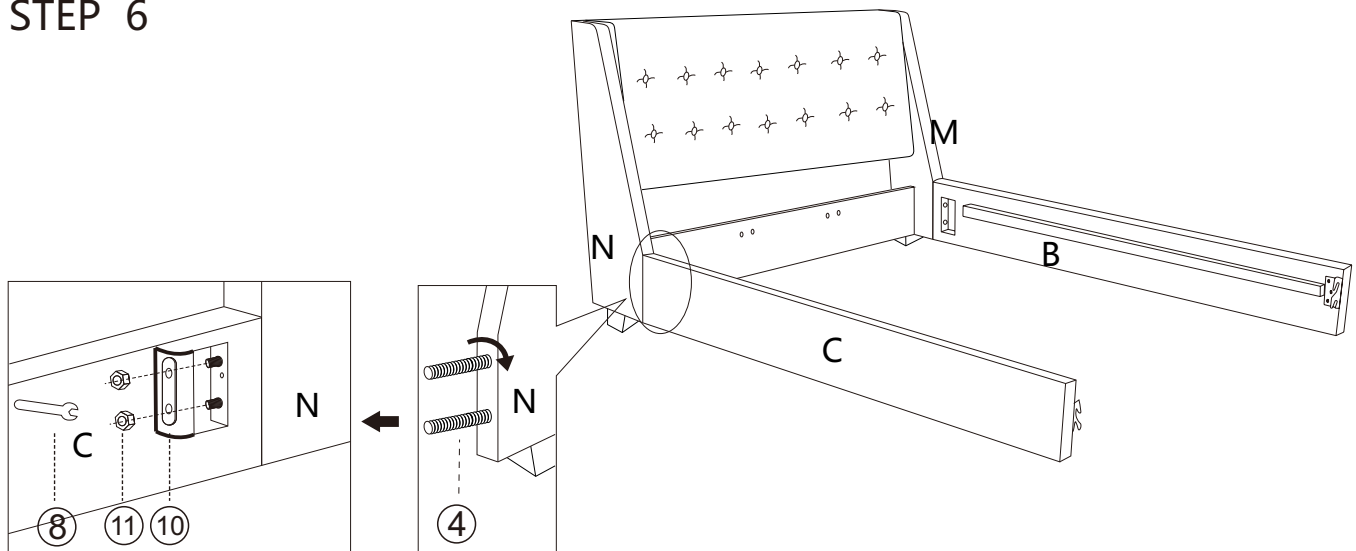
STEP 4



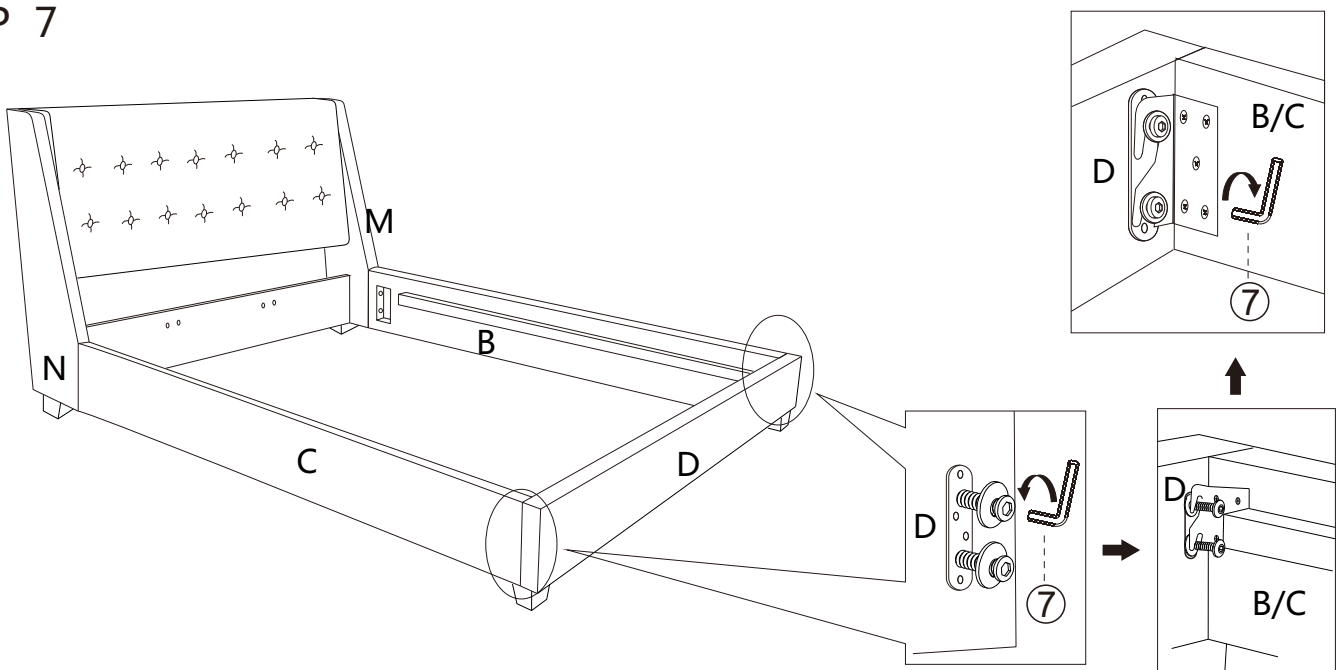
STEP 5



STEP 6



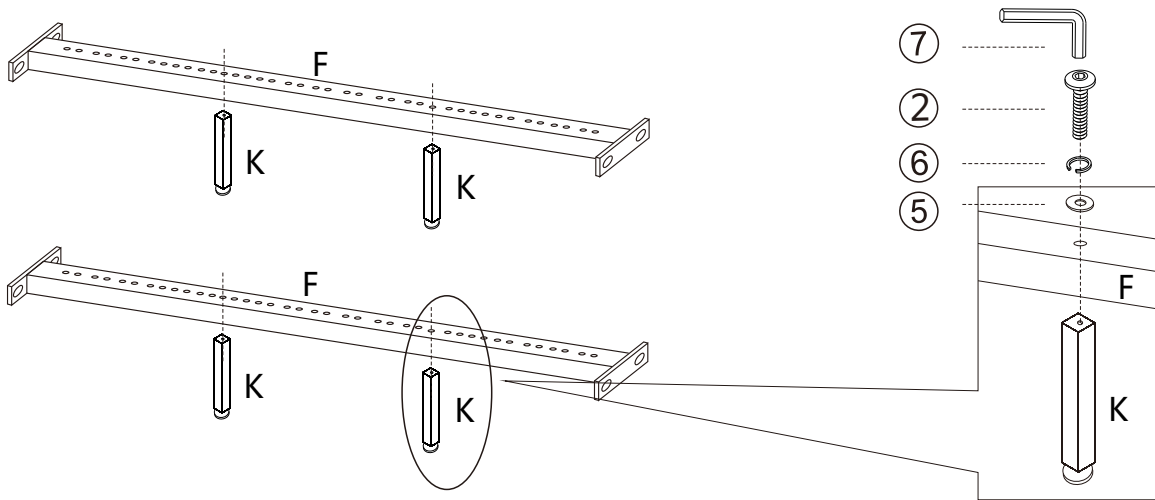
STEP 7



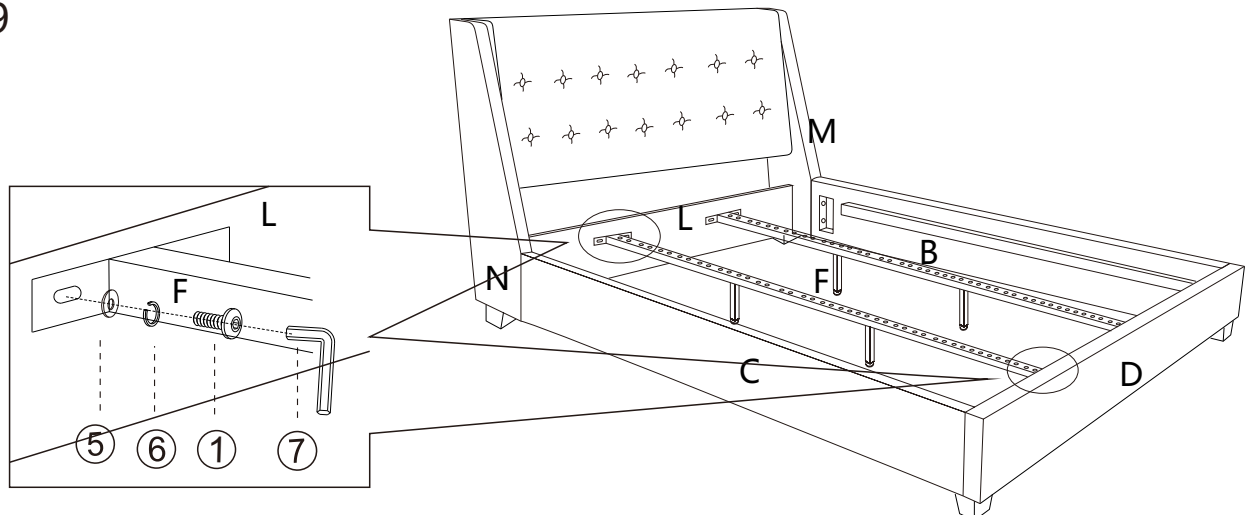
STOP

- IF USING BED WITH AN ADJUSTABLE MATTRESS BASE, SKIP STEPS 8, 9, 10, & 11 AND REFERENCE APPENDIX A: ADJUSTABLE MATTRESS BASE ASSEMBLY SUPPLEMENT.
- IF USING BED FRAME WITH STANDARD BOX SPRING OR FOUNDATION, CONTINUE TO STEP 8.

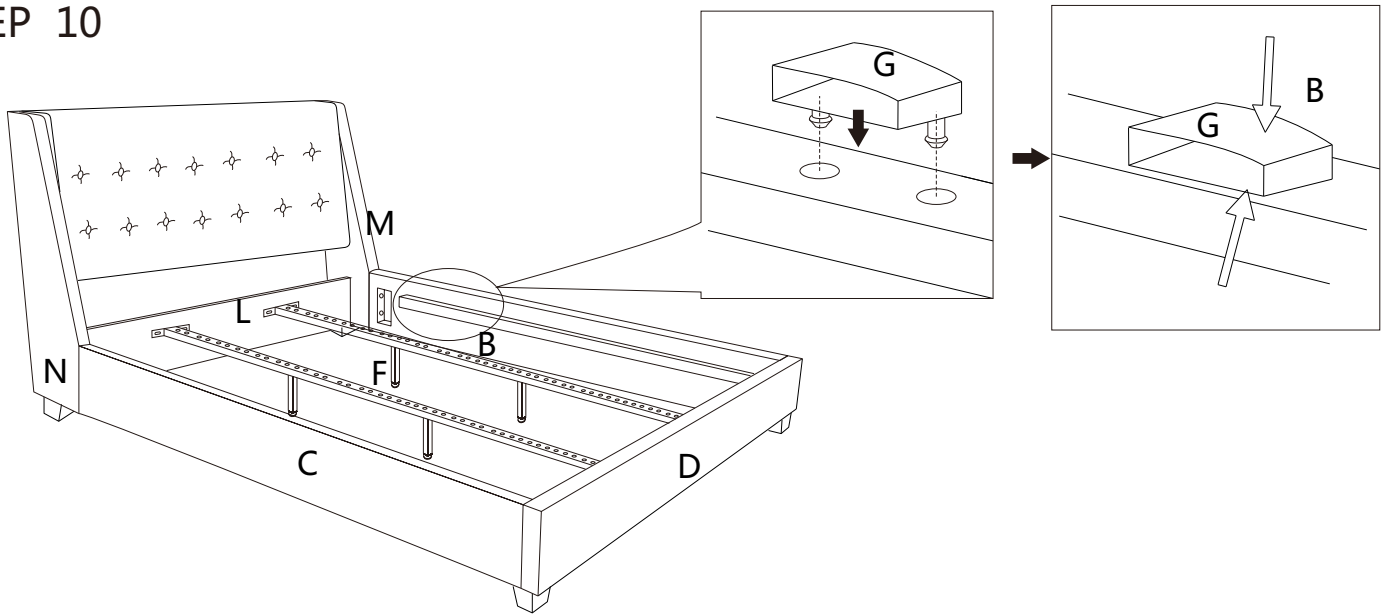
STEP 8



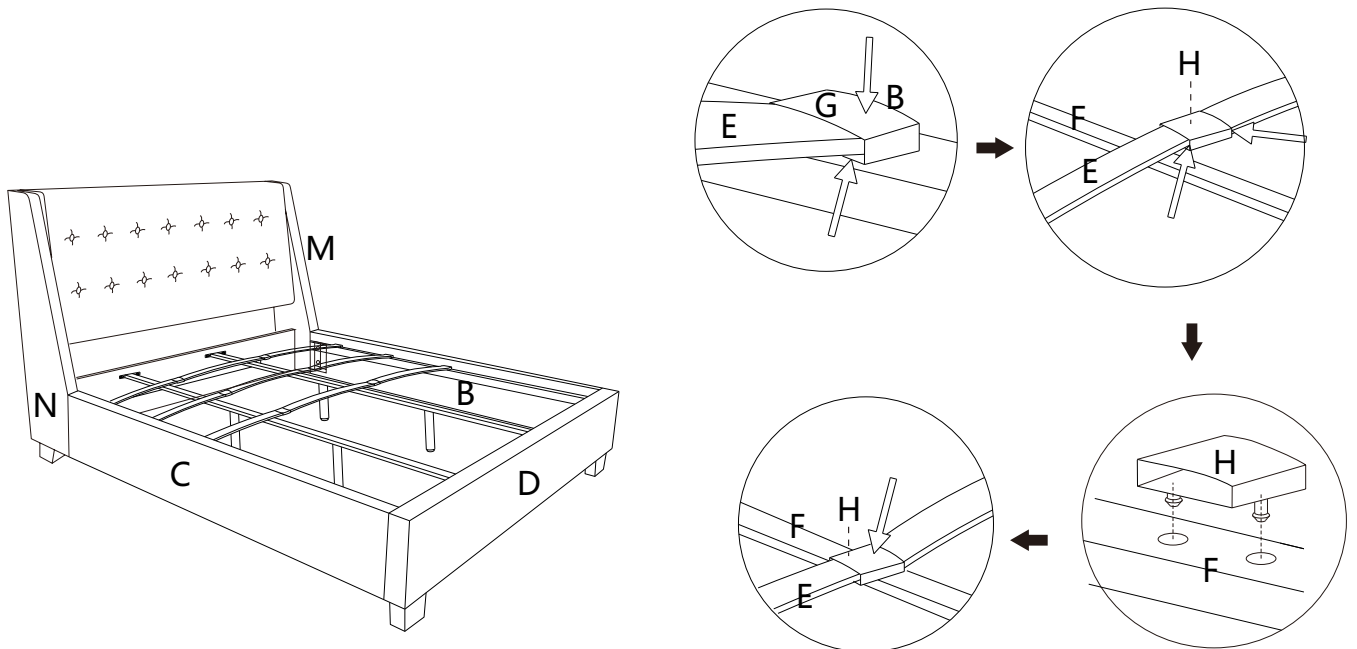
STEP 9



STEP 10



STEP 11

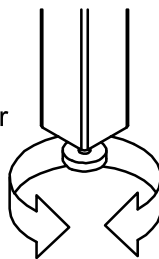


INSTRUCTIONS FOR ADJUSTING LEVELERS:

Position the bed in your space and locate the leveler under each leg support (K).

Turn the leveler counter-clockwise to extend the leveler and clockwise to retract it.

Adjust each leveler until each leg support is applying equal, upward pressure on the bed support slat.



MAINTENANCE INSTRUCTIONS:

- Remove box spring and mattress before moving your bed.
- Lift your bed when moving it. Dragging can damage the leg support.
- Readjust levelers after moving your bed.

MADERA C.KING/E.KING BED ASSEMBLY INSTRUCTIONS



APPENDIX A:ADJUSTABLE MATTRESS BASE ASSEMBLY SUPPLEMENT

AN ADJUSTABLE MATTRESS BASE IS A FREESTANDING MATTRESS SUPPORT THAT SITS WITHIN THE PERIMETER OF THE BED FRAME.

IF USING THIS BED FRAME WITH A STANDARD BOX SPRING OR FOUNDATION THESE INSTRUCTIONS DO NOT APPLY.

PRE-ASSEMBLED SIDE RAIL CLEATS OBSTRUCT ADJUSTABLE BASE INSTALLATION AND OPERATION. FOLLOW THESE INSTRUCTIONS TO REMOVE THEM.



WARNING!

SIDE RAIL CLEATS ARE HELD IN PLACE USING PHILLIPS HEAD SCREWS. ONCE THEY ARE REMOVED THE USER WILL NOT BE ABLE TO SAFELY RE-INSTALL THE SIDE RAIL CLEATS FOR FUTURE USE WITH A STANDARD BOX SPRING OR FOUNDATION.

THE FOLLOWING PARTS ARE NOT REQUIRED FOR ADJUSTABLE MATTRESS BASE INSTALLATION:

| | |
|-----------------------------|--------|
| E. SLAT | 39 PCS |
| F. CENTER SLAT SUPPORT | 2 PCS |
| G. SIDE RAIL SLAT CLIP | 26 PCS |
| H. CENTER SUPPORT SLAT CLIP | 26 PCS |
| K. SLAT SUPPORT LEG | 4 PCS |

STEP 1 :

USE A PHILLIPS HEAD SCREWDRIVER (NOT PROVIDED) TO UNSCREW THE PHILLIPS SCREWS AND REMOVE THE PRE-ASSEMBLED SIDE RAIL CLEATS.

