

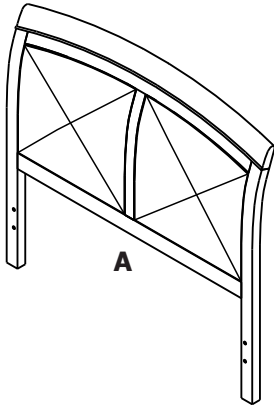
# BRIGHTON PANEL SLEIGH C.KING/E.KING BED

## ASSEMBLY INSTRUCTIONS



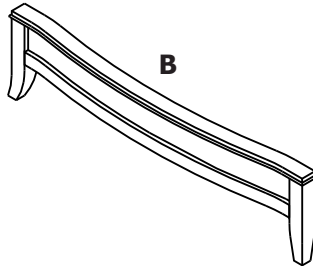
### BOX #1

A. HEADBOARD 1 PC



### BOX #2

B. FOOTBOARD 1 PC



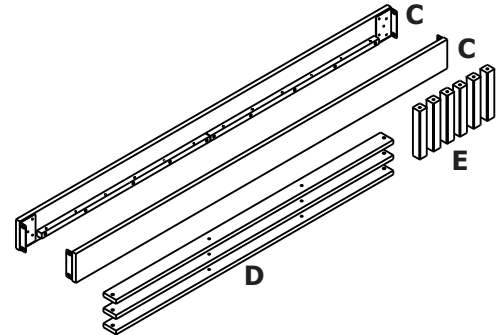
### BOX #3

C. SIDE RAIL 2 PCS

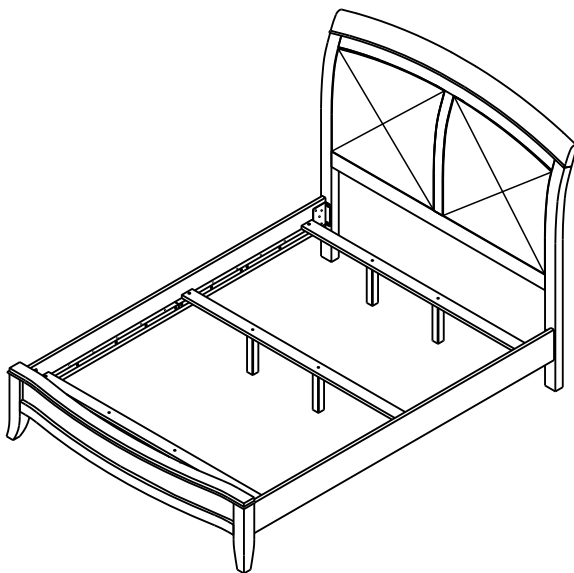
D. SLAT 3 PCS

E. LEG SUPPORT 6 PCS

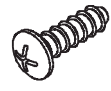
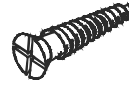
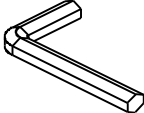
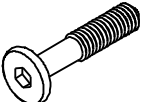


BED HARDWARE BOX\*



BRIGHTON PANEL SLEIGH ASSEMBLED

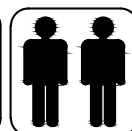
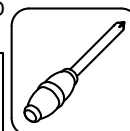


### BED HARDWARE PACKED IN BOX #3

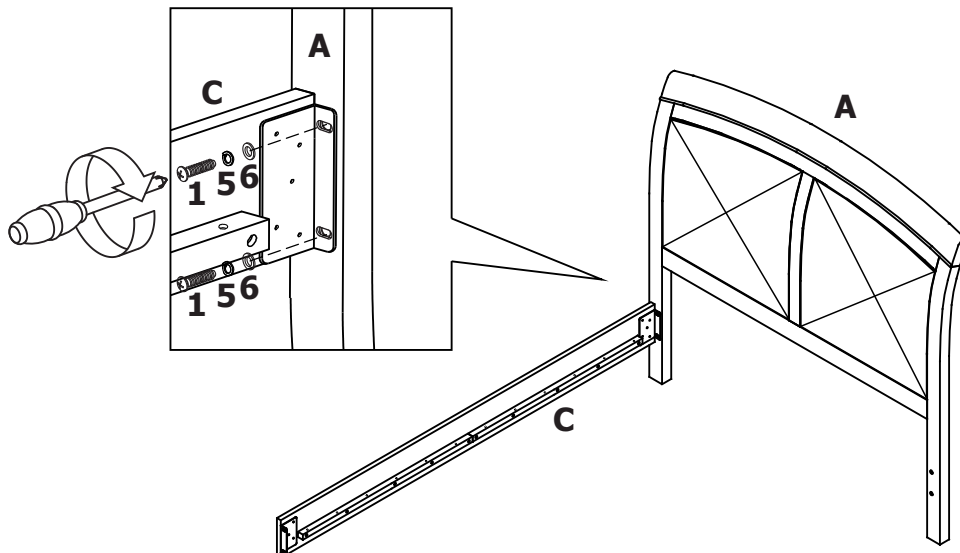
1	PHILLIPS HEAD BOLT (8x20mm)	8 PCS	2	WOOD SCREW (8x30mm)	7 PCS	3	ALLEN KEY	1 PC
								
4	ALLEN BOLT (6x40mm)	7 PCS	5	SPRING WASHER (M8)	8 PCS	6	FLAT WASHER (M8)	8 PCS
								

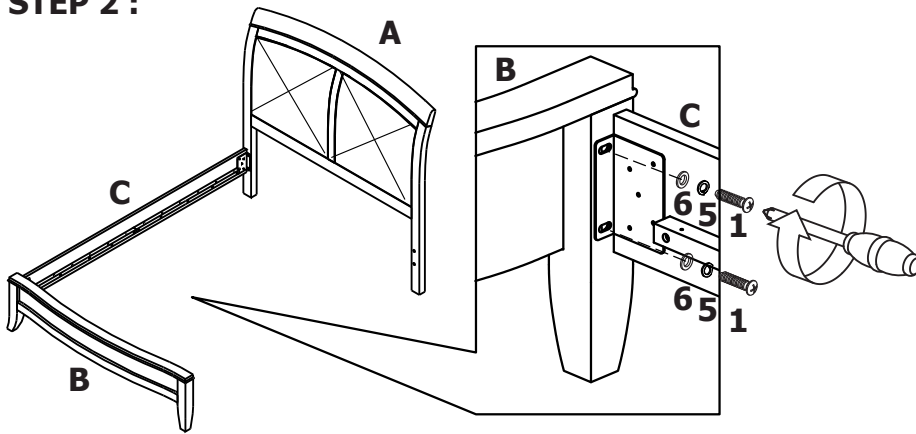
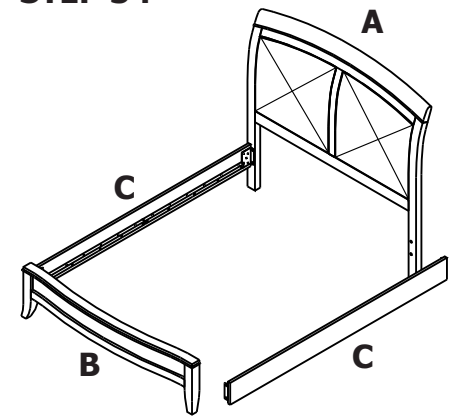
TOOL REQUIRED : PHILLIPS HEAD SCREWDRIVER (NOT PROVIDED)

**YOUR BOX  
MAY CONTAIN  
EXTRA HARDWARE**

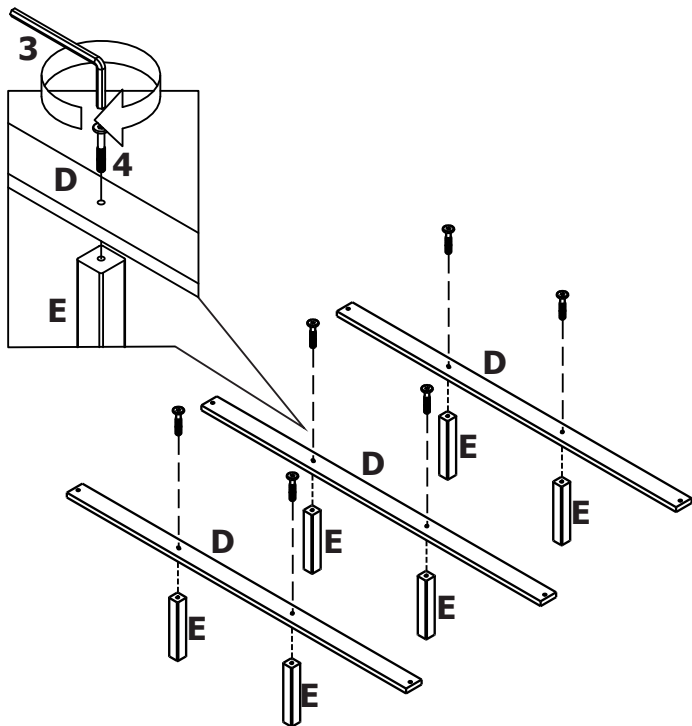
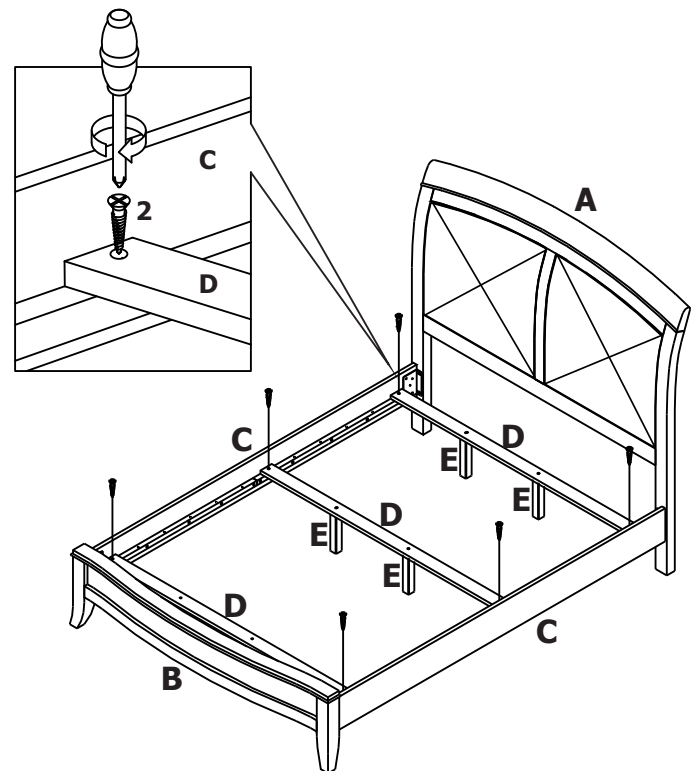


### STEP 1 :



**STEP 2 :****STEP 3 :****STOP**

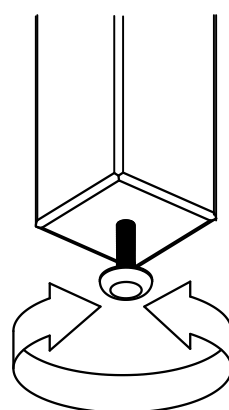
- IF USING BED FRAME WITH ADJUSTABLE MATTRESS BASE, SKIP TO APPENDIX A: ADJUSTABLE MATTRESS BASE ASSEMBLY SUPPLEMENT.
- IF USING BED FRAME WITH STANDARD BOX SPRING OR FOUNDATION CONTINUE TO STEP 4.

**STEP 4 :****STEP 5 :****INSTRUCTIONS FOR ADJUSTING LEVELERS :**

POSITION THE BED IN YOUR ROOM. LOCATE LEVELERS UNDER EACH LEG SUPPORT (E).

TURN COUNTER-CLOCKWISE TO EXTEND, CLOCKWISE TO RETRACT.

ADJUST LEVELERS UNTIL EACH LEG SUPPORT IS APPLYING EQUAL UPWARD PRESSURE ON THE BED SLAT.

**MAINTENANCE INSTRUCTIONS :**

- REMOVE BOX SPRING AND MATTRESS BEFORE MOVING YOUR BED.
- LIFT YOUR BED WHEN MOVING IT. DRAGGING CAN DAMAGE LEG SUPPORT.
- READJUST LEVELERS AFTER MOVING YOUR BED.

# BRIGHTON PANEL SLEIGH C.KING/E.KING BED

## APPENDIX A:ADJUSTABLE MATTRESS BASE ASSEMBLY SUPPLEMENT



AN ADJUSTABLE MATTRESS BASE IS A FREESTANDING MATTRESS SUPPORT THAT SITS WITHIN THE PERIMETER OF THE BED FRAME.

IF USING THIS BED FRAME WITH A STANDARD BOX SPRING OR FOUNDATION THESE INSTRUCTIONS DO NOT APPLY.

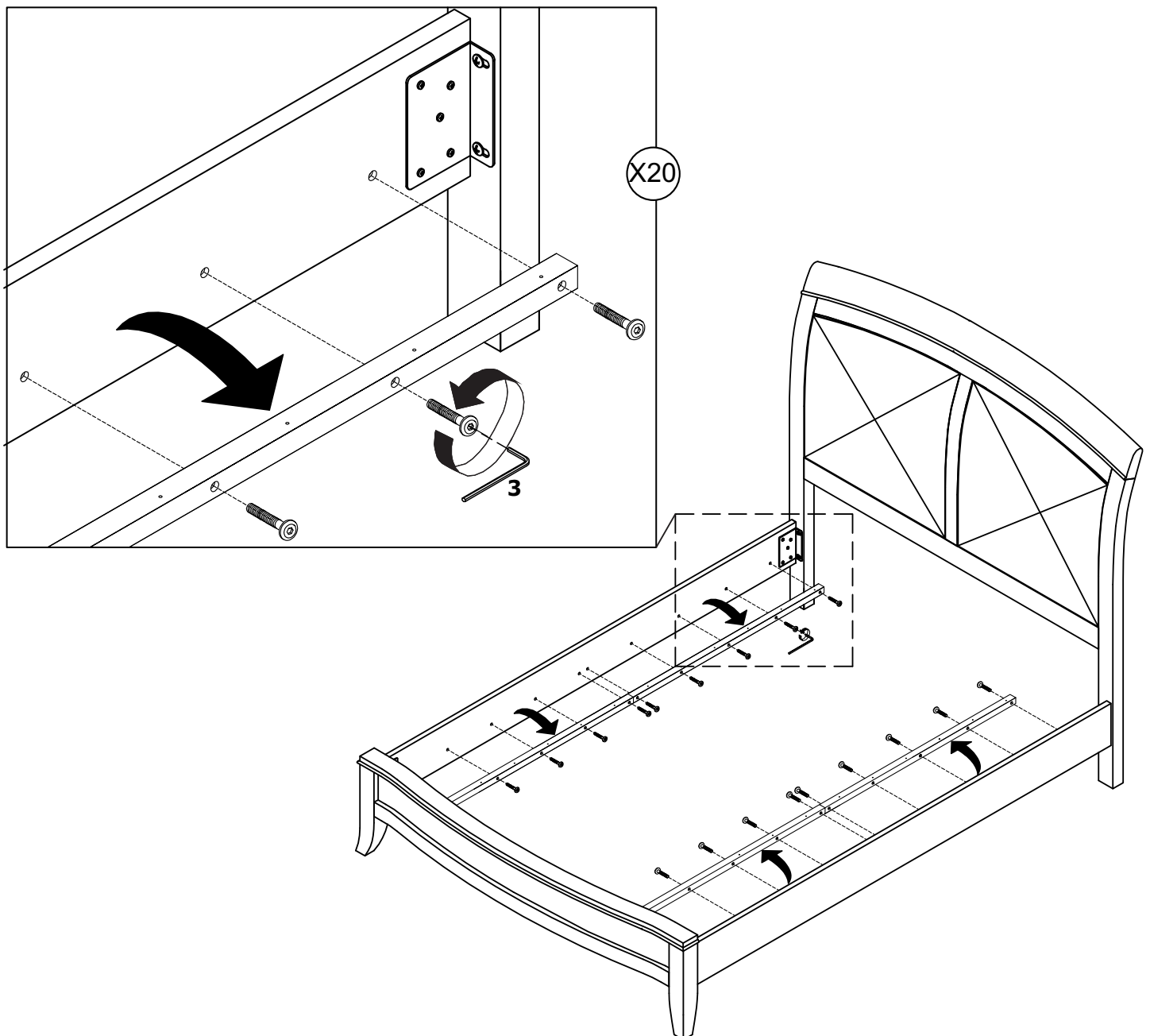
PRE-ASSEMBLED SIDE RAIL CLEATS OBSTRUCT ADJUSTABLE BASE INSTALLATION AND OPERATION. FOLLOW THESE INSTRUCTIONS TO REMOVE THEM.

### THE FOLLOWING PARTS ARE NOT REQUIRED FOR ADJUSTABLE MATTRESS BASE INSTALLATION:

D. SLAT	3 PCS	2. WOOD SCREW (8x30mm)	7 PCS
E. LEG SUPPORT	6 PCS	4. ALLEN BOLT (6x40mm)	7 PCS

### STEP 1 :

USE ALLEN KEY (3) TO UNSCREW ALLEN BOLTS AND REMOVE PRE-ASSEMBLED SIDE RAIL CLEATS.



NOTE: YOU MAY WISH TO RETAIN UNUSED PARTS IF IN THE FUTURE YOU INTEND TO USE THE BED FRAME WITH A STANDARD BOX SPRING OR FOUNDATION.