



Tomaru Platform Bed

Assembly instructions:

Page 1

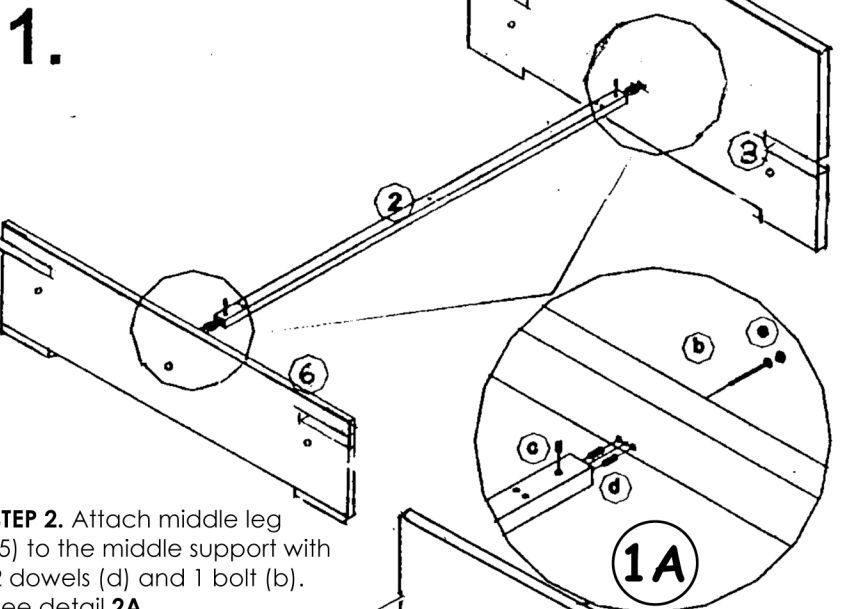
HARDWARE:

Allen Key (a) x1
Long Bolt (b) x7
Barrel Nut (c) x6
Dowel (d) x8
Cap (e) x6

PARTS:

1 x2 Slat
2 x1 Middle Supporter
3 x1 Head Board
4 x2 Side Rail
5 x1 Middle Leg
6 x1 Foot Board

STEP 1. Attach middle support (2) to the headboard (3) and footboard (6) using two dowels (d), 1 bolt (b), and barrel nut (c). See detail 1A. Tighten bolt with provided Allen key (a).



STEP 2. Attach middle leg (5) to the middle support with 2 dowels (d) and 1 bolt (b). See detail 2A.

