

Platform Bed Assembly

Each Copeland Furniture bed is delivered in three boxes. Please have a Phillips head screwdriver on-hand to complete the setup of your new bed.

Box 1 - Headboard, footboard and 3 support blocks.

Box 2 - Set of 2 side rails with hardware package.

Box 3 - Set of 6 platforms and 12 - 1 1/2" screws and 3 - 1 3/4" screws for the support blocks.

Step 1 - Layout the bed parts and position the side rails as pictured below.

Step 2 - Attach the side rails to the headboard and the footboard using the instruction sheet in the hardware package, seeing that the cleats on the inner side of each side rail are towards the top.

Step 3 - Position the platforms on the side rails as the illustration shows.

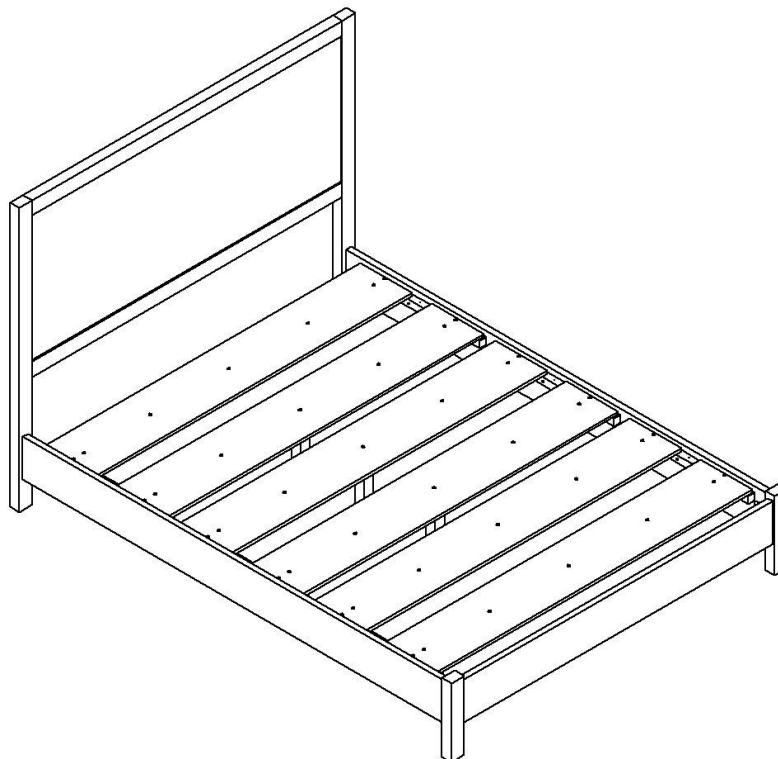
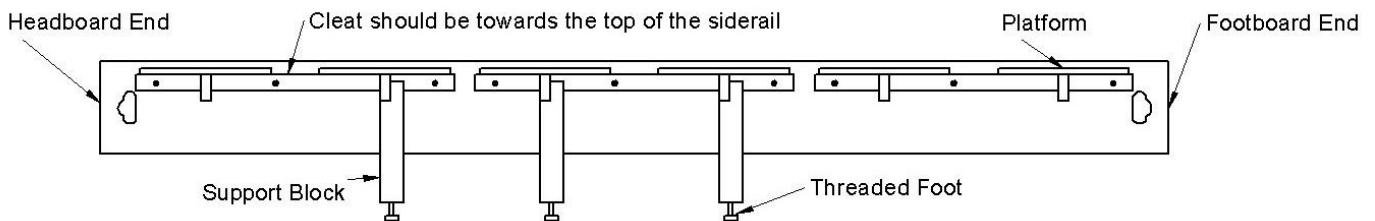
Step 4 - Starting with the second platform piece, position 1 support block under the hardwood support brace.

Step 5 - If the support leg has an adjustable foot on the bottom, retract the adjustable foot slightly so that it only makes contact with the floor when weight is applied to the fully assembled bed.

Step 6 - Adjust the remaining pieces to the same length.

Step 7 - Using the 1 3/4" screws, attach the support block to the center of each of the 3 middle platforms making sure the support brace is in full contact with the shoulder on the support block.

Step 8 - Use the 1 1/2" screws to fasten the platforms to the cleats on the side rails.



Important: Please Note:

Beds must be disassembled before moving to avoid damage. Never attempt to move the bed while it is assembled. Failure to do so would void the warranty.

Care Instruction

To care for and preserve the finish on your new Copeland Furniture piece, please keep the following recommendations in mind.

- While our furniture has been finished with a durable top coat, the surface may be sensitive to dents and abrasions during the first 30 days in your home.
- Treat the surface finish gently so it does not dent or chip. Tape or stickers should not be put on the finish.
- For general care use a soft cloth to dust the furniture.
- Use damp cloth with a mild soap to clean-up spills or dirt. Dry the surface thoroughly.
- Please do not use any polishes, waxes or solvents to clean the surface of the furniture. This holds true for new Copeland Furniture pieces as well as items you may already have in your home.
- Please do not place any candles directly on the surface of your furniture. The perfumes and dyes in the candles may penetrate the finish.

Special Care Instructions for Cherry Furniture

Please read the following if you have purchased a Copeland product in cherry. Furniture that has been crafted from cherry wood becomes darker with age. The change in color, from a reddish tan to a reddish brown, is most noticeable during the first six months of ownership. It is important to understand that exposure to light accelerates, the natural oxidization process. An object left on a cherry wood surface for an extended period of time may retard the aging process in a limited area. Simply remove the object and, over time, the surface will attain a uniform reddish brown color.



If you have any questions or difficulties, please call us at the number below between the hours of 8:00 am and 4:30 pm eastern time.
156 Industrial Drive, Bradford, VT 05033 Tel: 802.222.9282 Fax: 802.222.9285 www.copelandfurniture.com