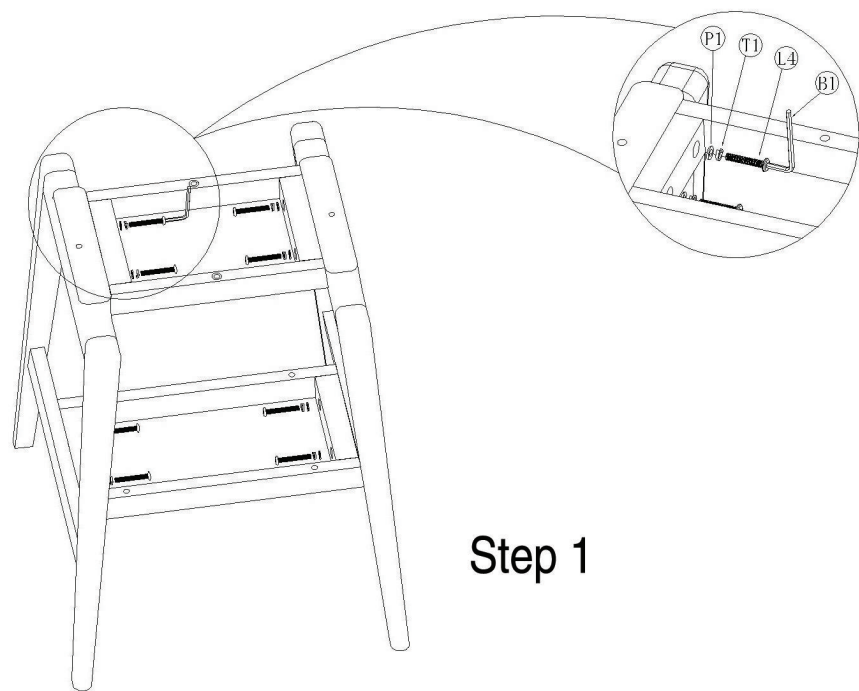
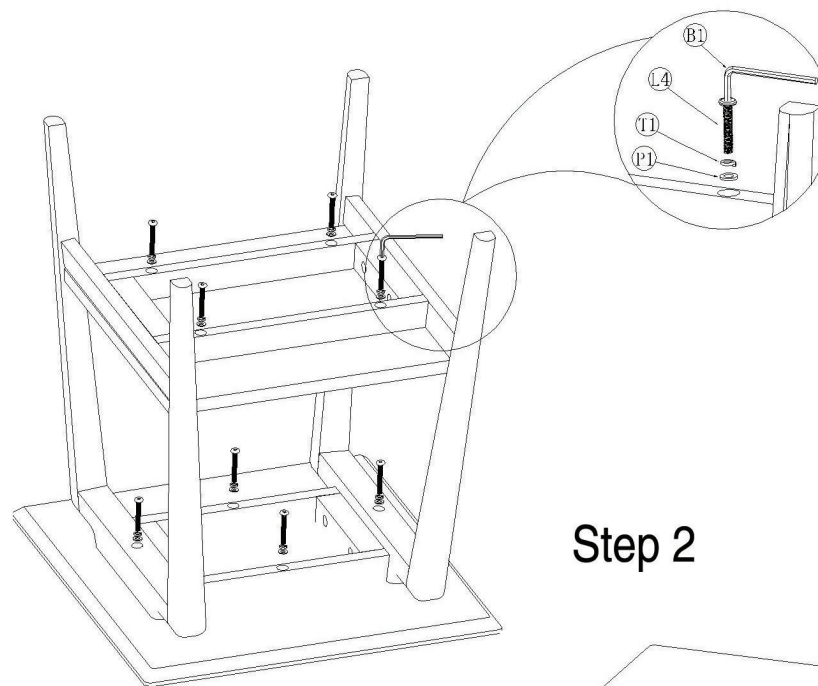


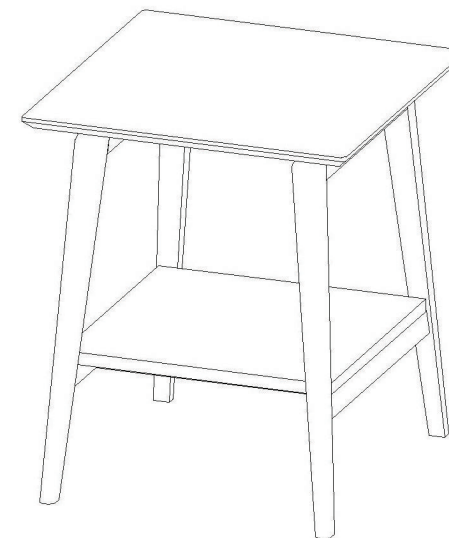
Assembly Instruction



Step 1



Step 2



T1		Φ1/4x11x1.5T 16 PCS	●		
P1		Φ1/4x12x1.5T 16 PCS	●		
L13		Φ1/4x40mm 16 PCS	●		
B1		4mm 1PC	●		